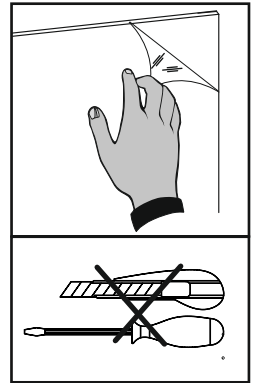
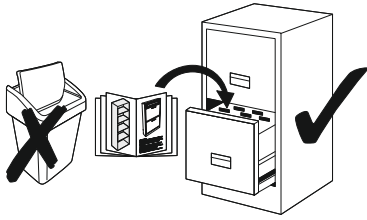
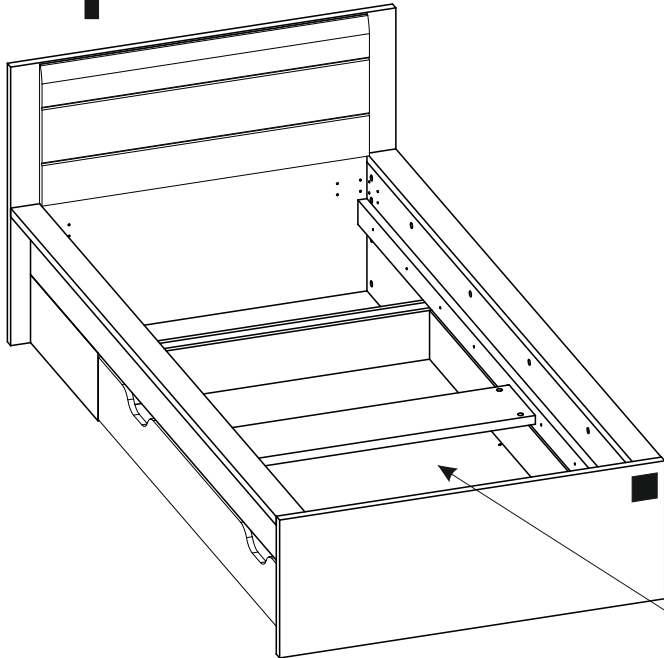


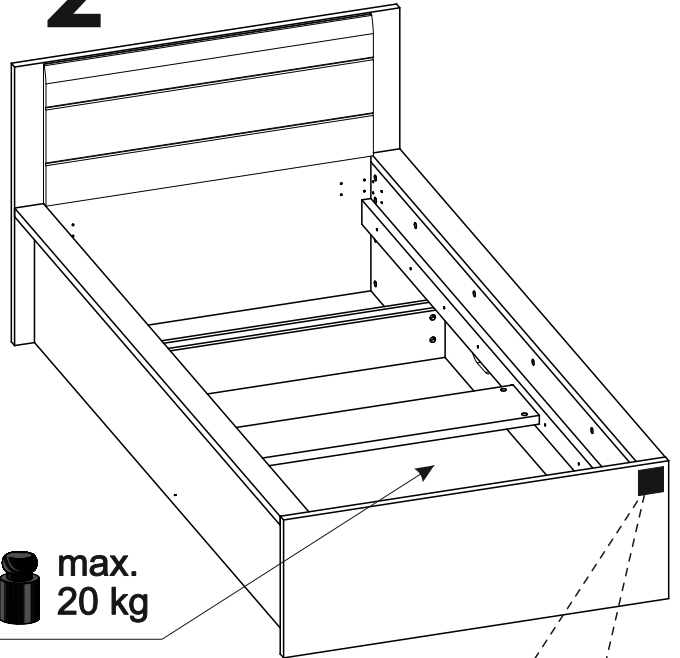
AVENSIS NEW 131



"1"



"2"



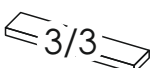
max.
20 kg

Luca
BESSONI

- | | | | |
|--------|--------|--------|--------|
| ① - C2 | ② - C2 | ③ - C1 | ④ - C1 |
| ⑤ - C1 | ⑥ - C3 | ⑦ - C1 | ⑧ - C3 |
| ⑨ - C3 | ⑩ - C2 | ⑪ - C3 | ⑫ - C3 |
| ⑬ - C3 | ⑭ - C3 | ⑮ - C3 | |

C1 

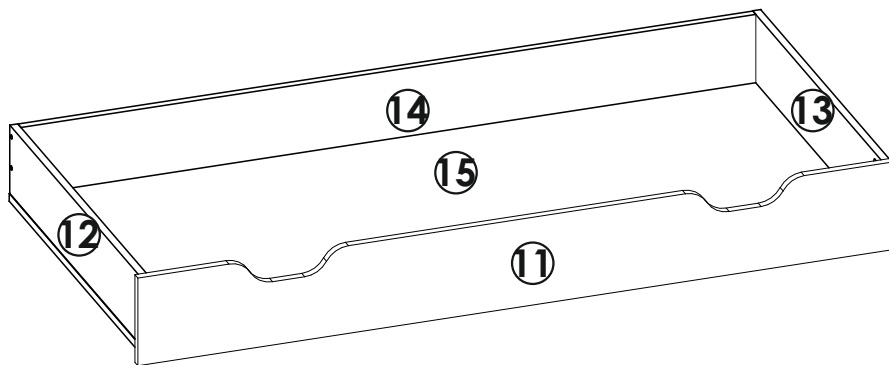
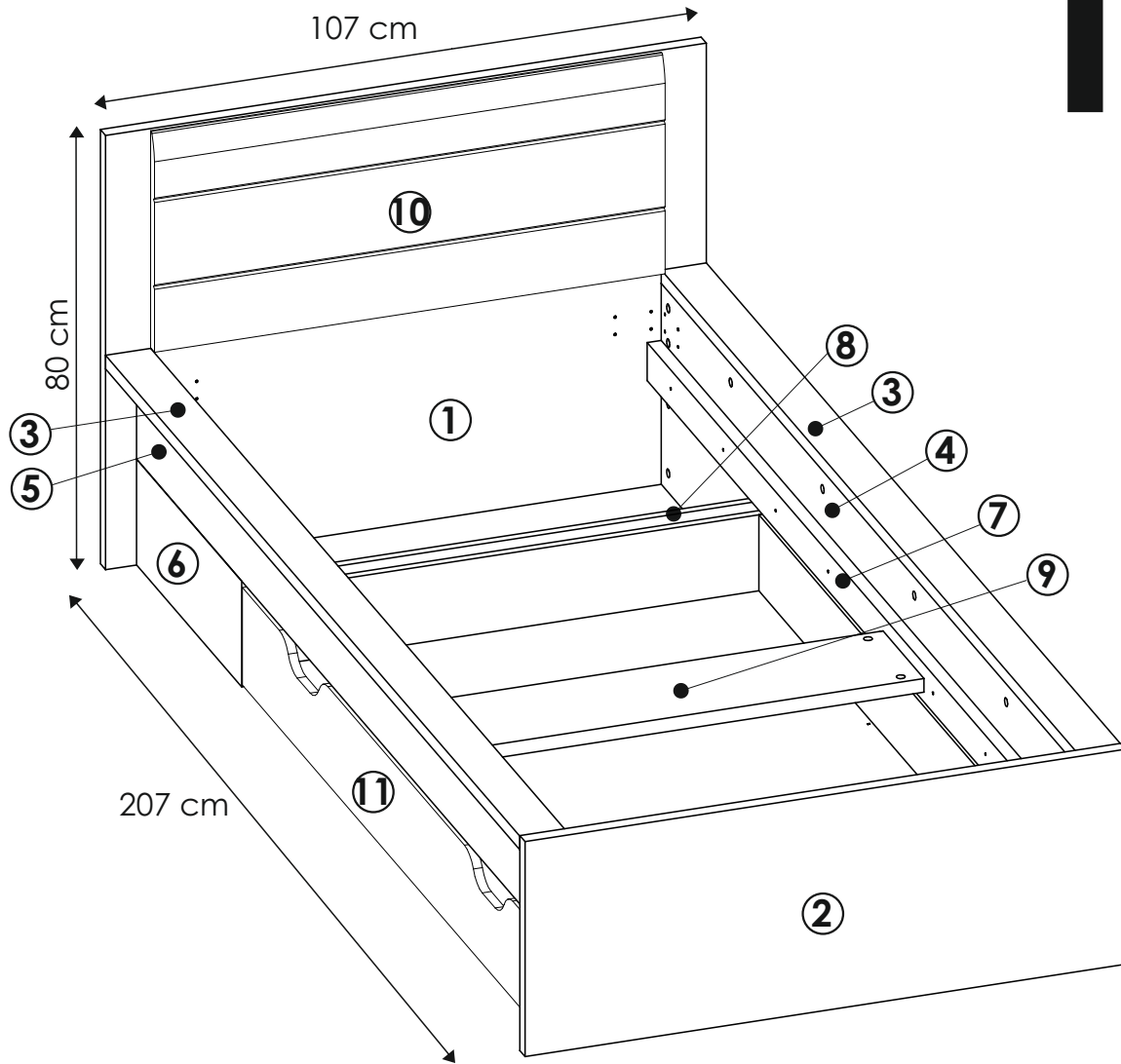
C2 

C3 

1803

AVENSIS NEW 131

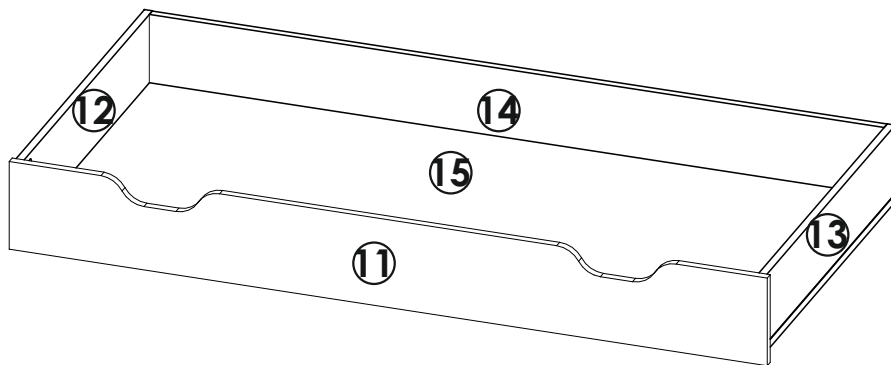
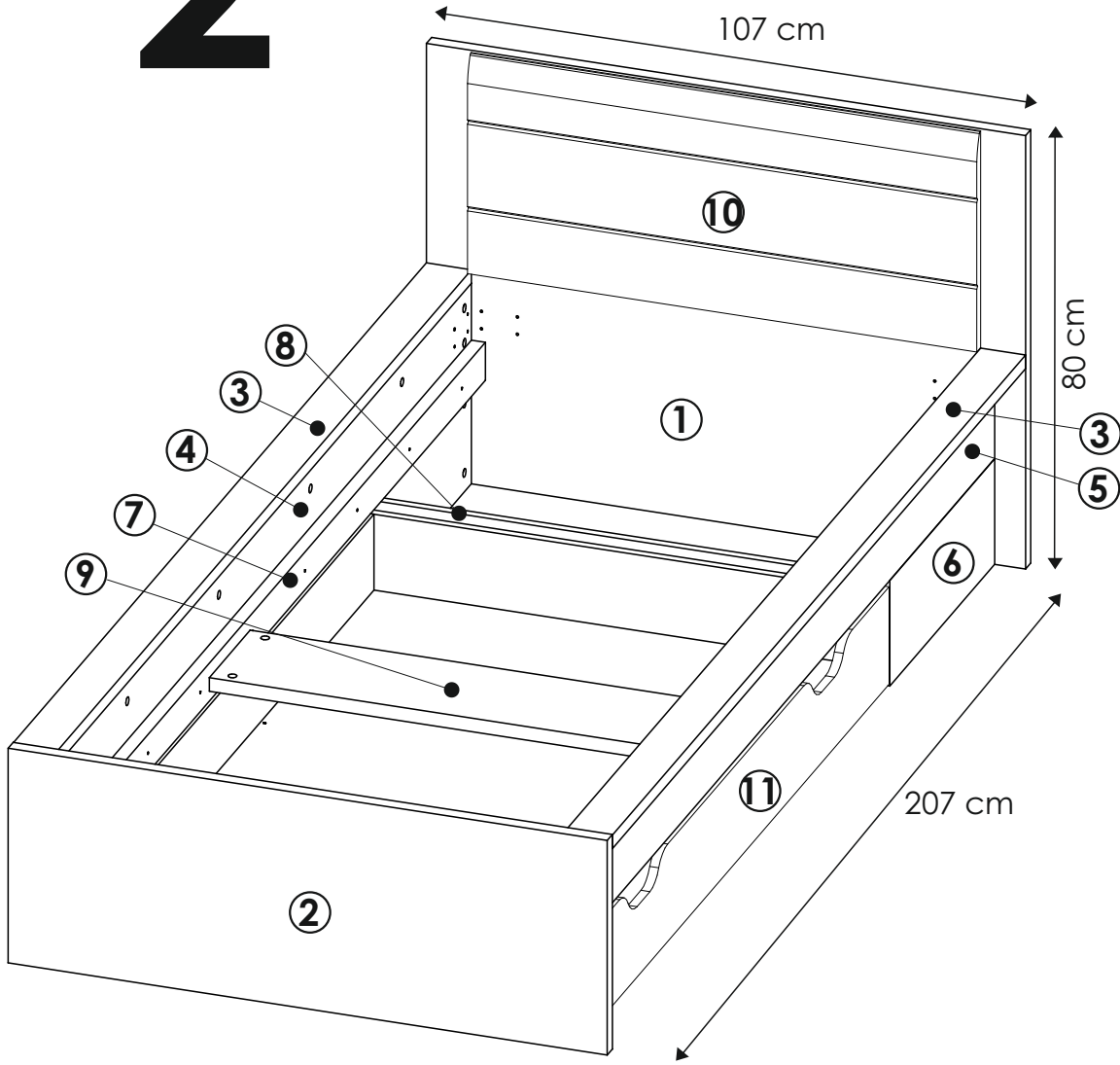
” 1 ”



1803

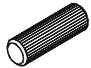







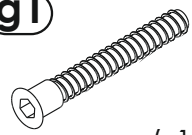


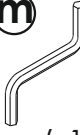



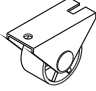


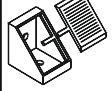
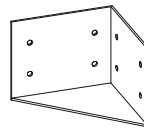
AVENSIS NEW 131

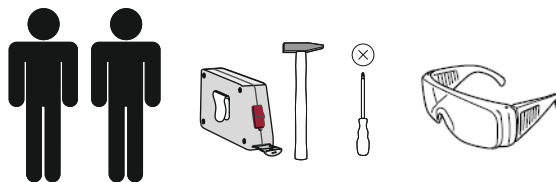
"2"



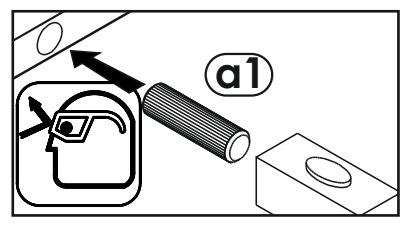
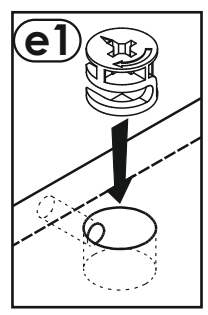
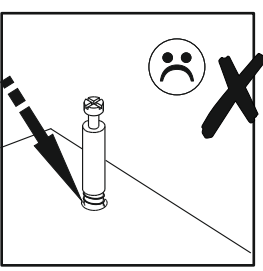
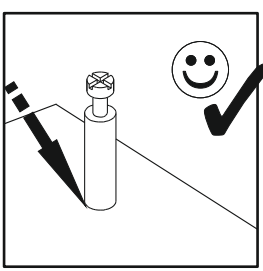
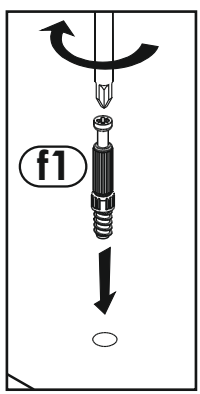
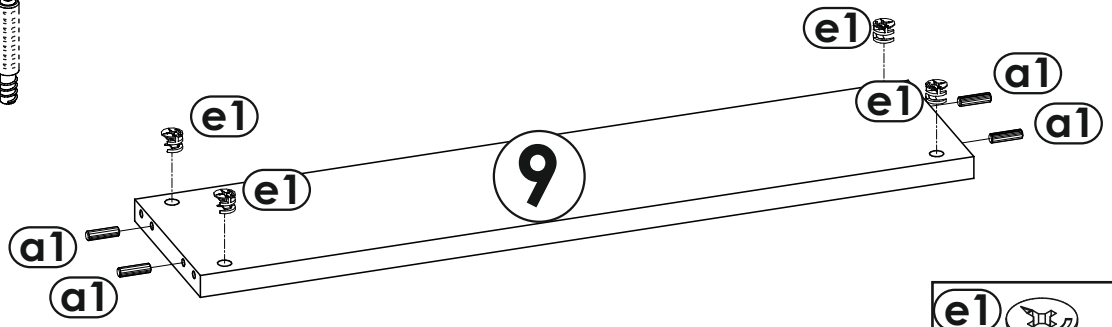
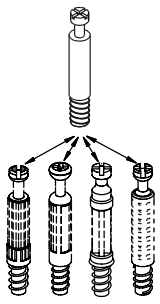
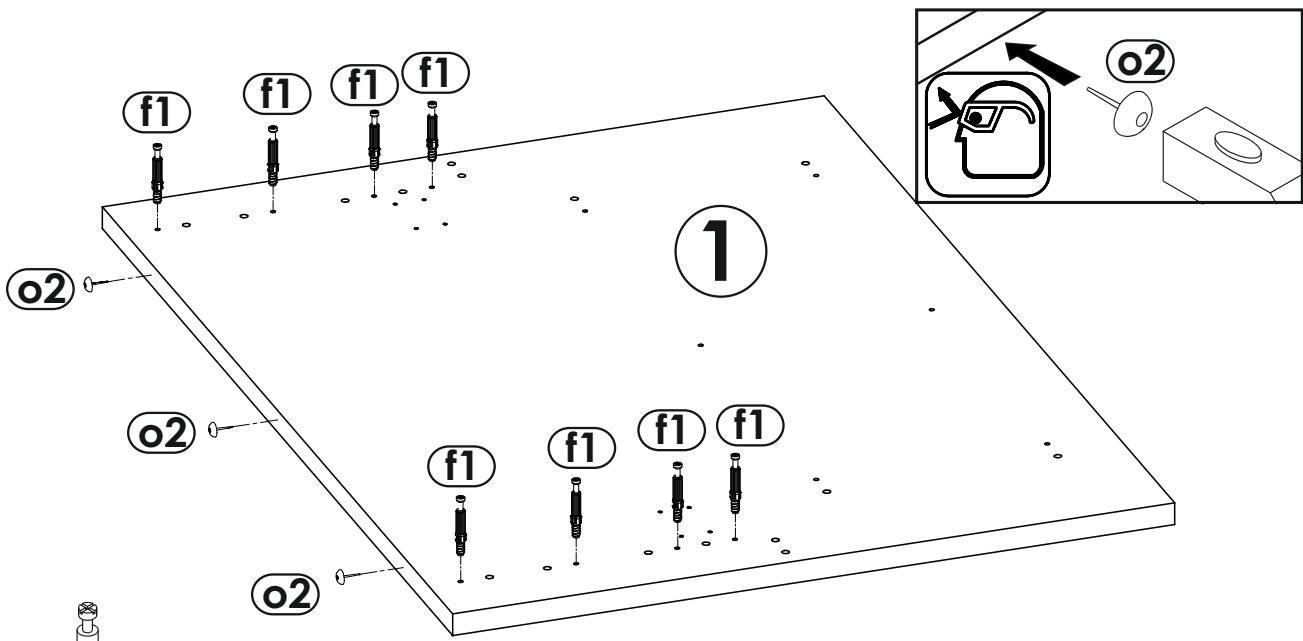
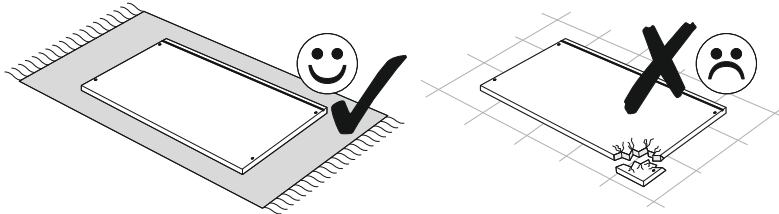
AVENSIS NEW 131



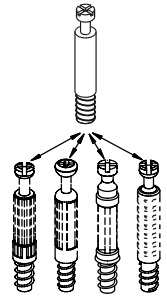
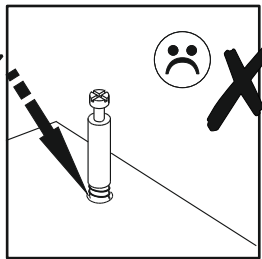
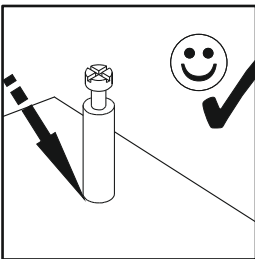
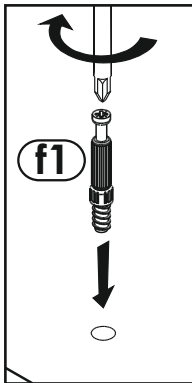
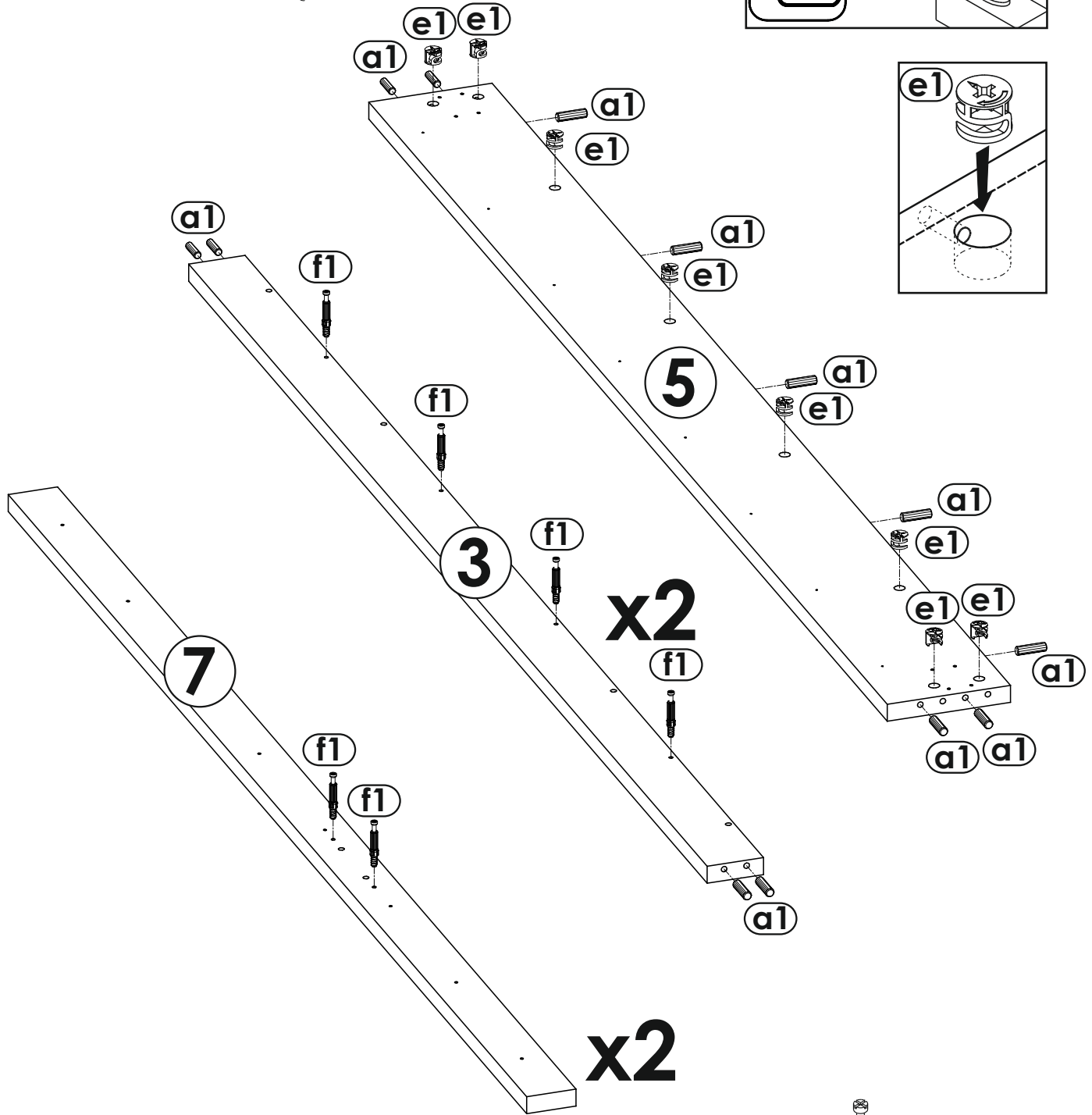
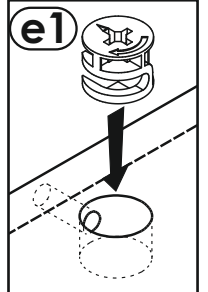
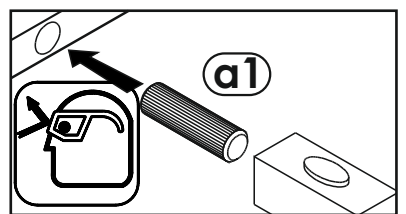
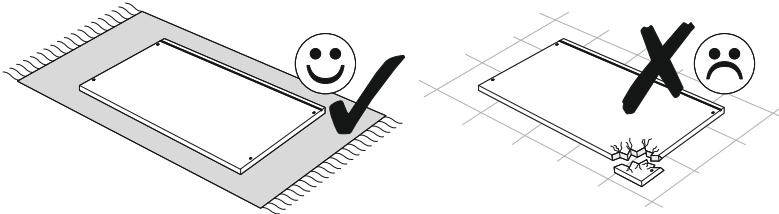
a0  8x24 x...(x4)	a1  8x35 x...(x48)	c2  Euro 5x13 x...(x32)	e0  x...(x39)	e1  x...(x39)	et  Luca BESSONI x...(x1)	f1  x...(x39)	g0  x...(x13)
g1  7x50 x...(x13)	i15  3x13 x...(x12)	i17  4x40 x...(x22)	m  x...(x1)	n2  3,5x16 x...(x2)	n3  2,5x12 x...(x8)	o2  x...(x10)	
o5  x...(x6)	o6  x...(x4)	r8  x...(x2)	w  x...(x1)	x5  x...(x4)			



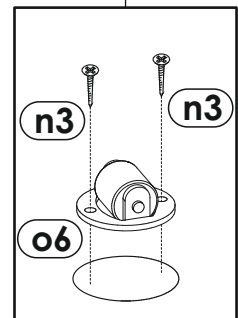
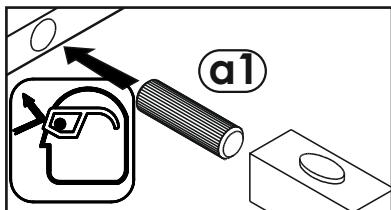
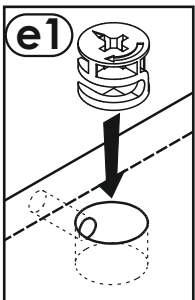
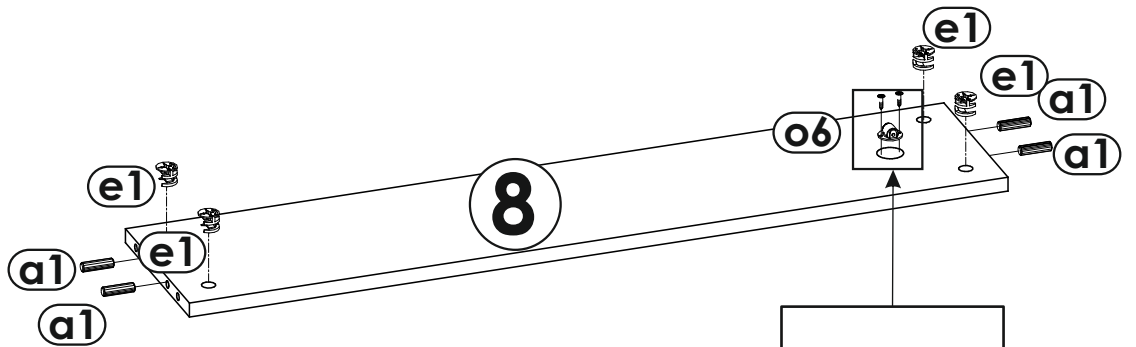
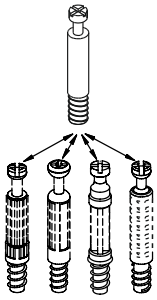
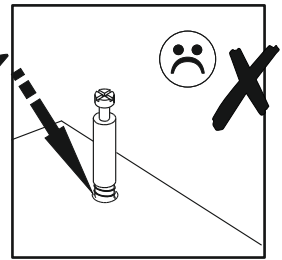
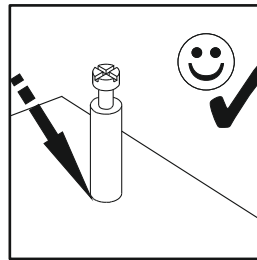
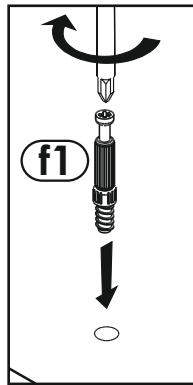
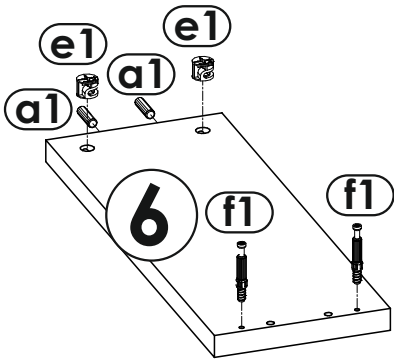
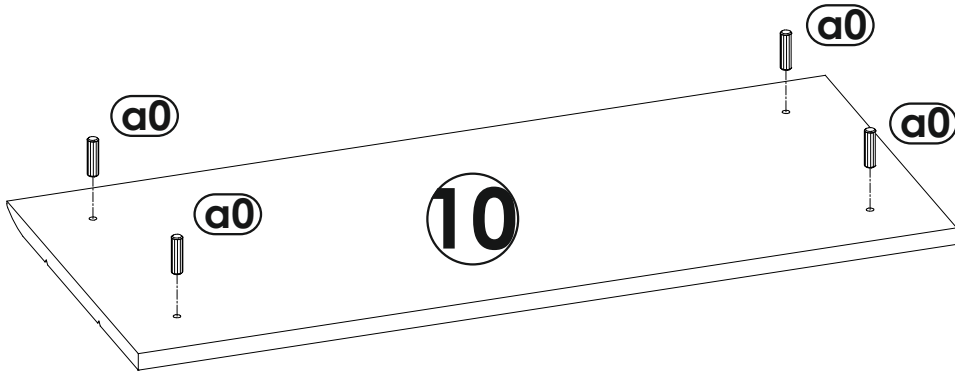
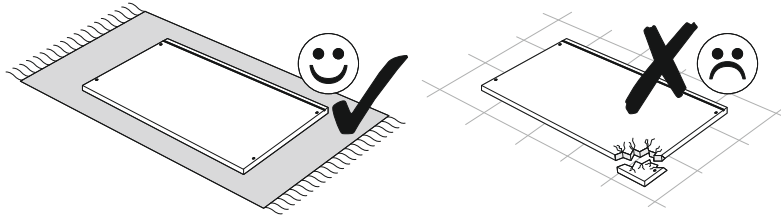
1



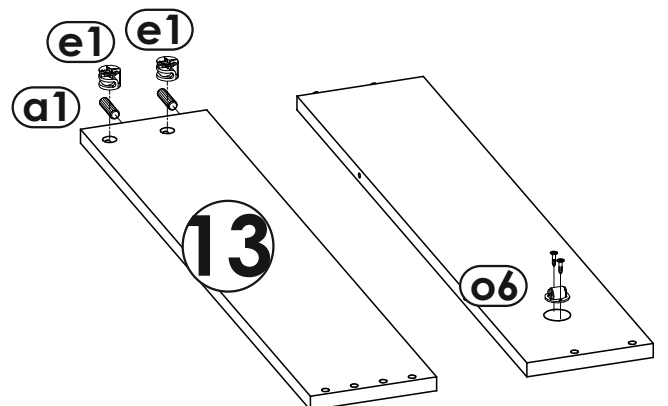
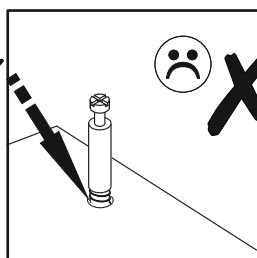
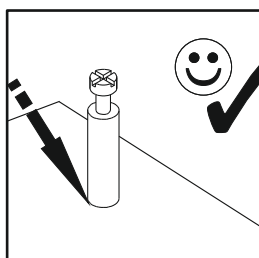
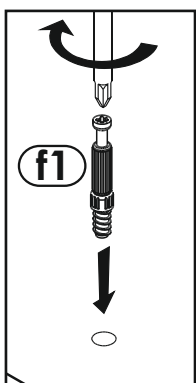
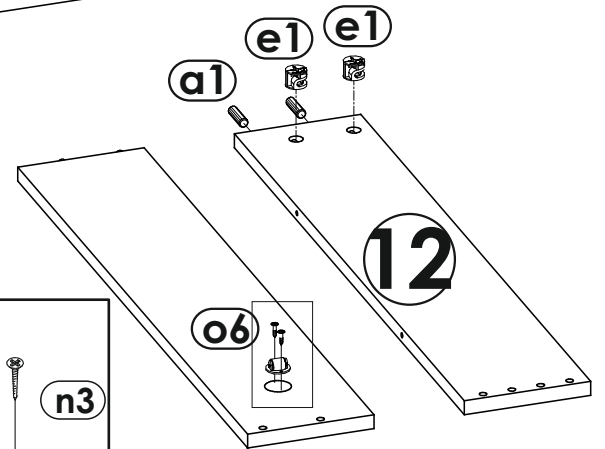
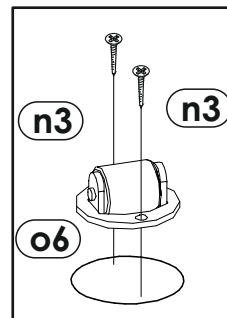
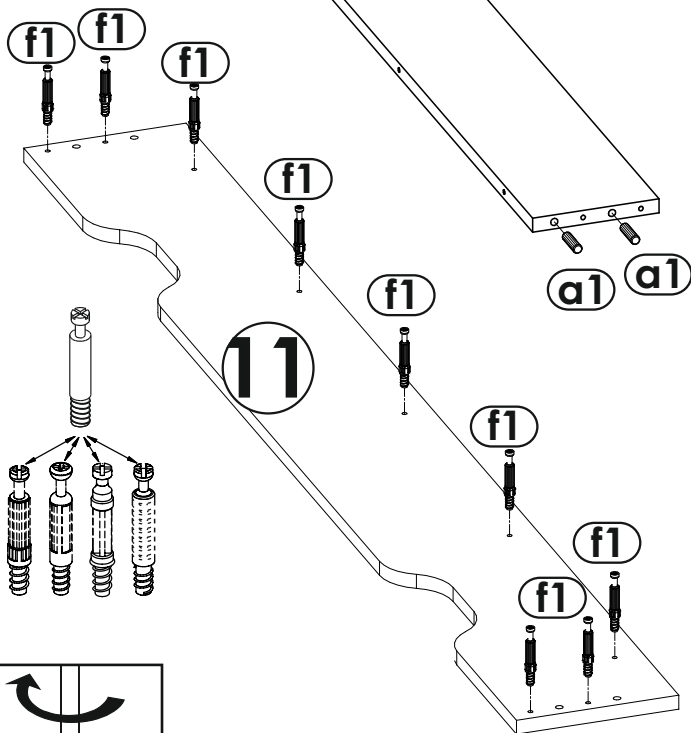
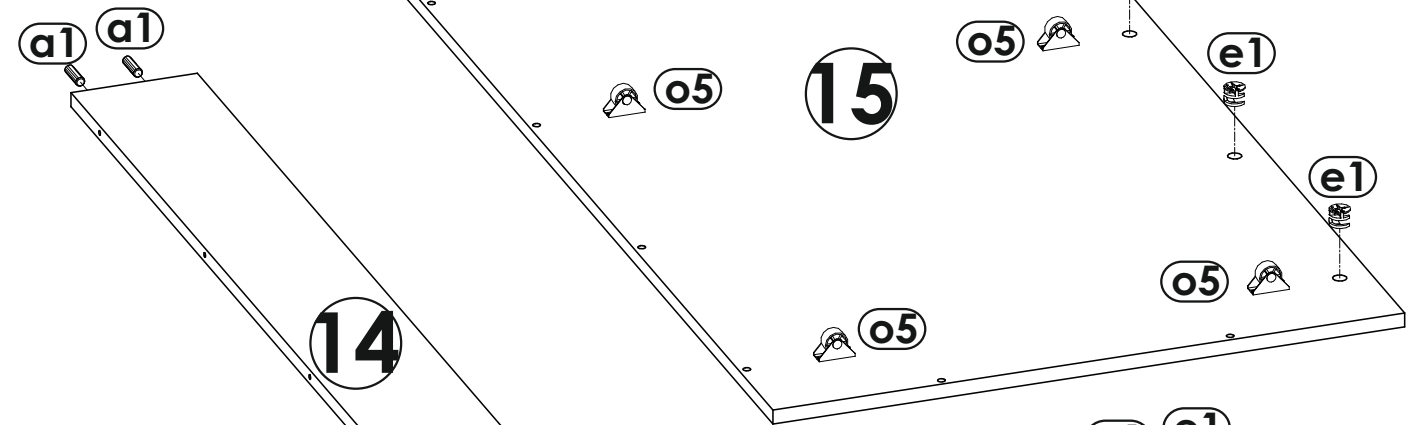
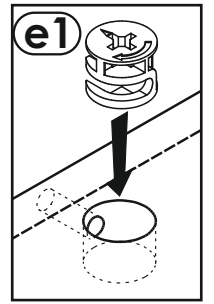
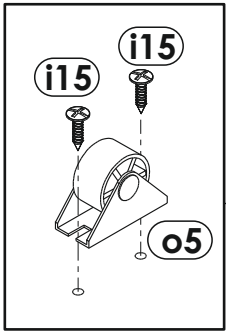
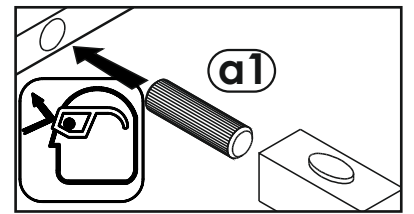
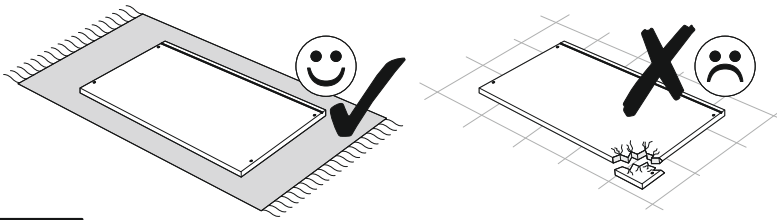
2



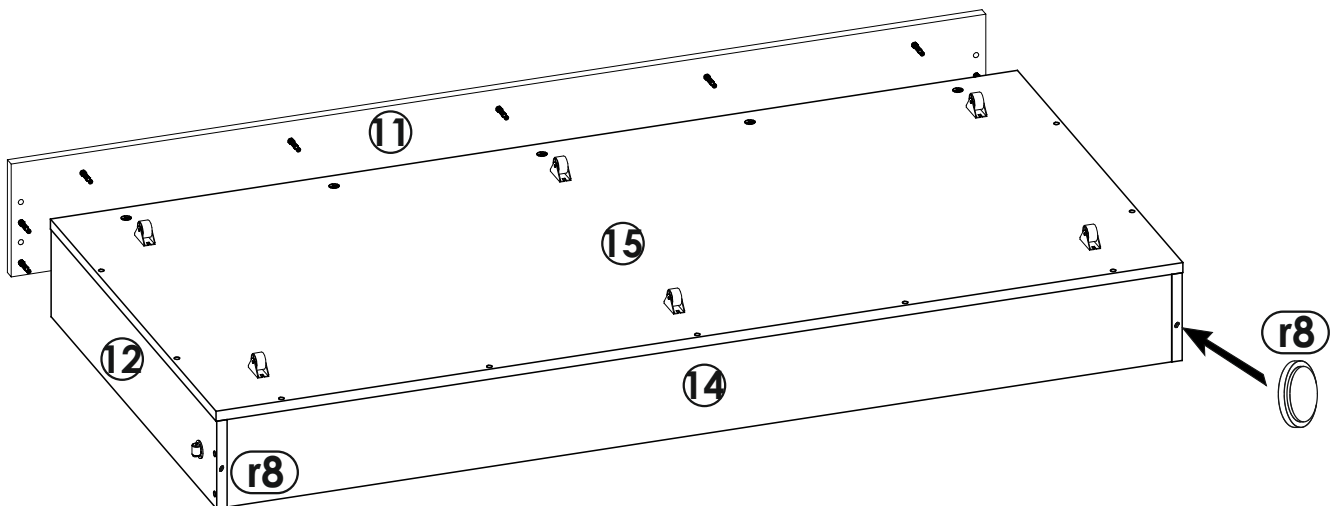
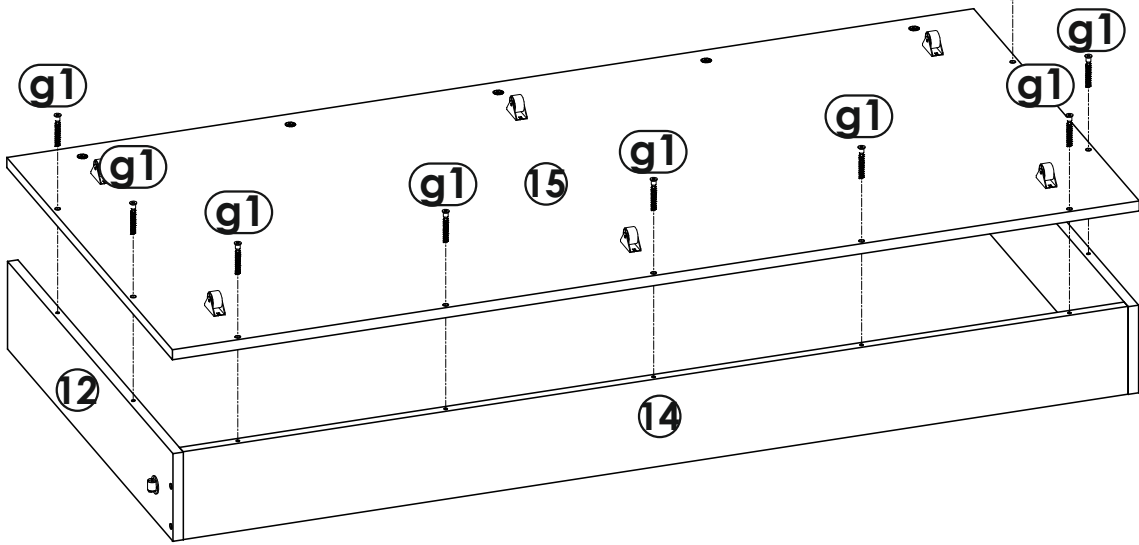
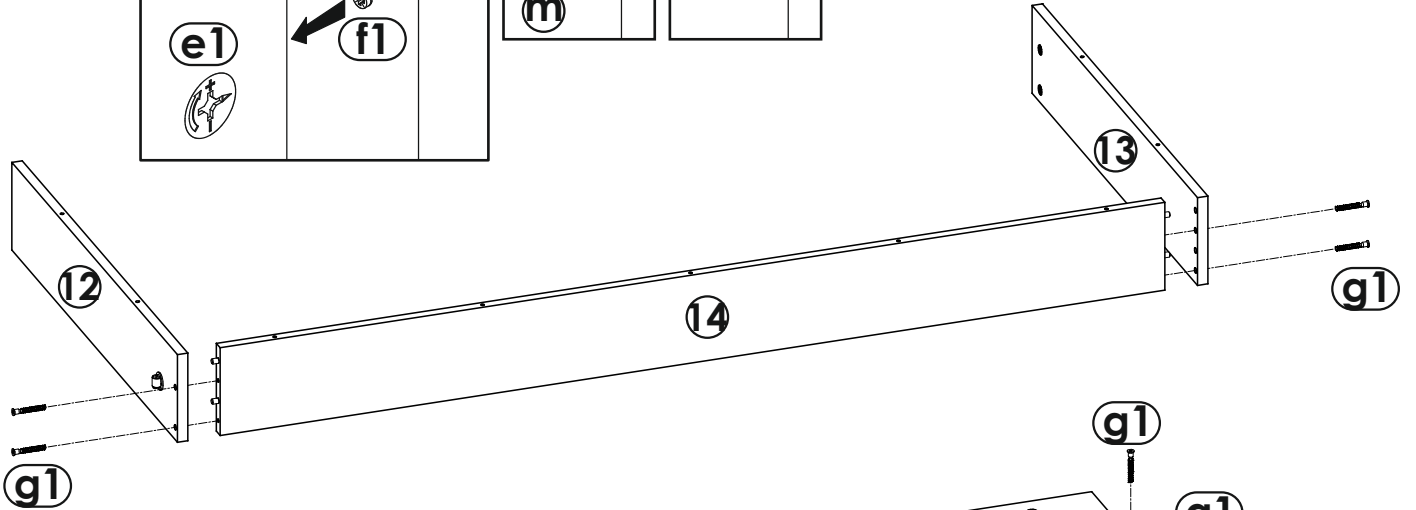
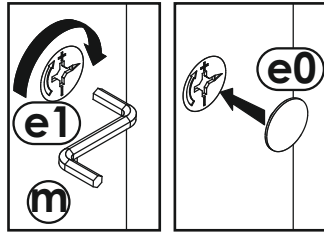
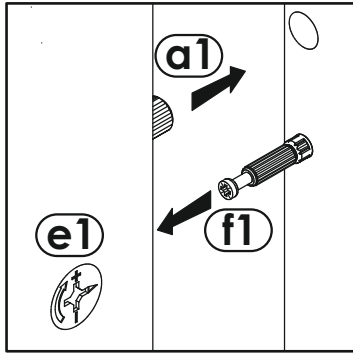
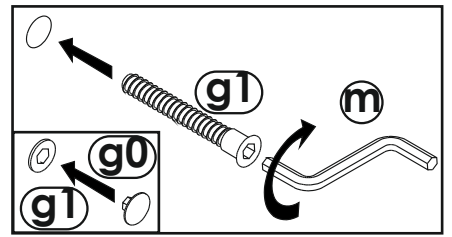
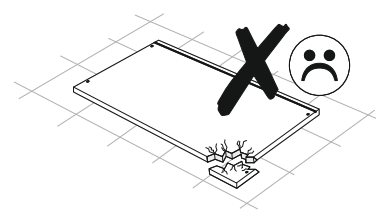
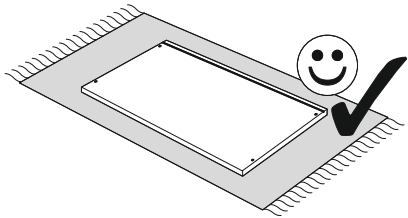
3



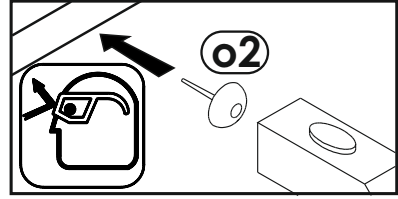
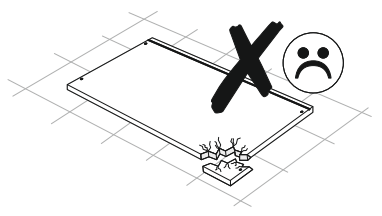
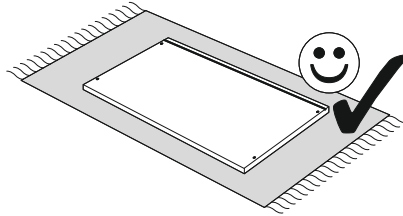
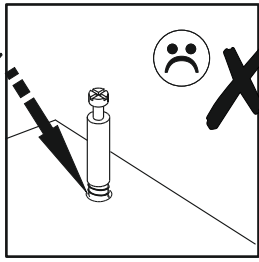
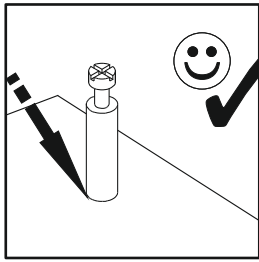
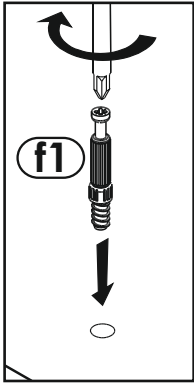
4



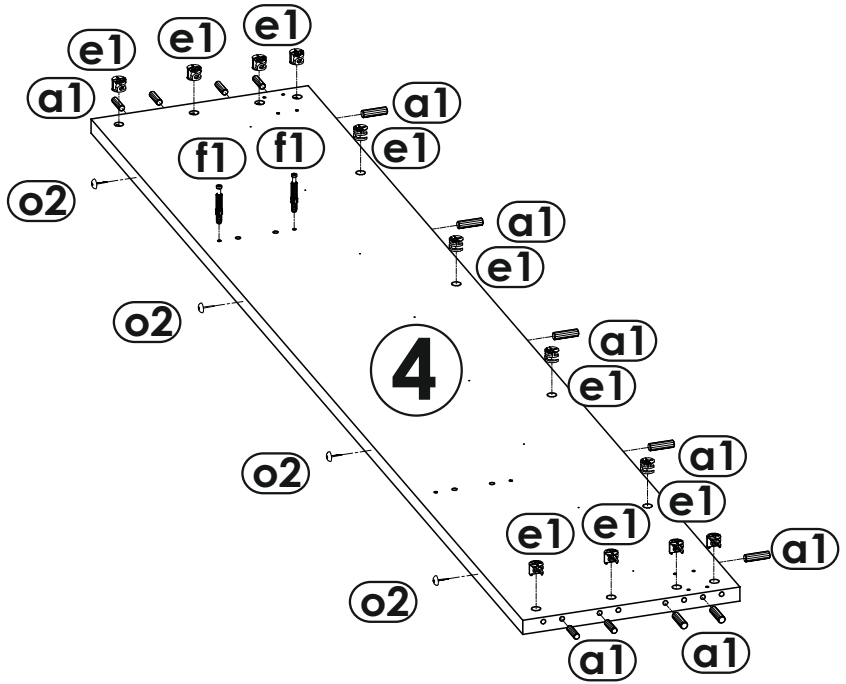
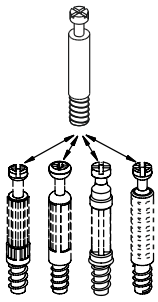
5



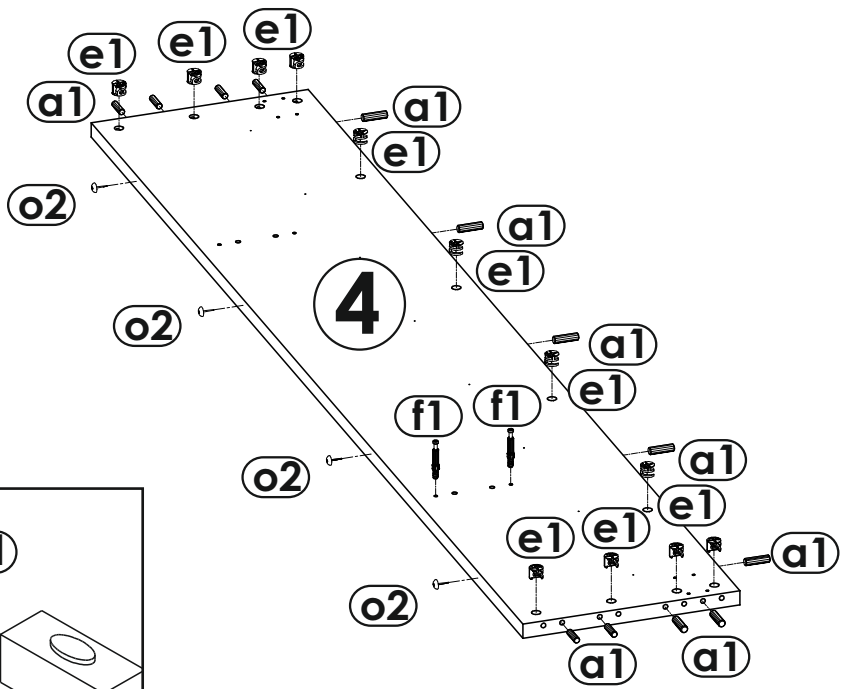
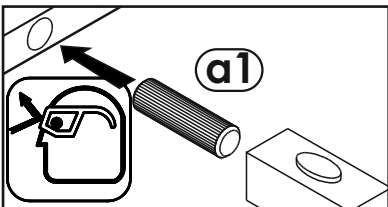
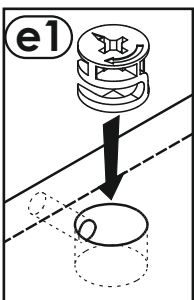
7



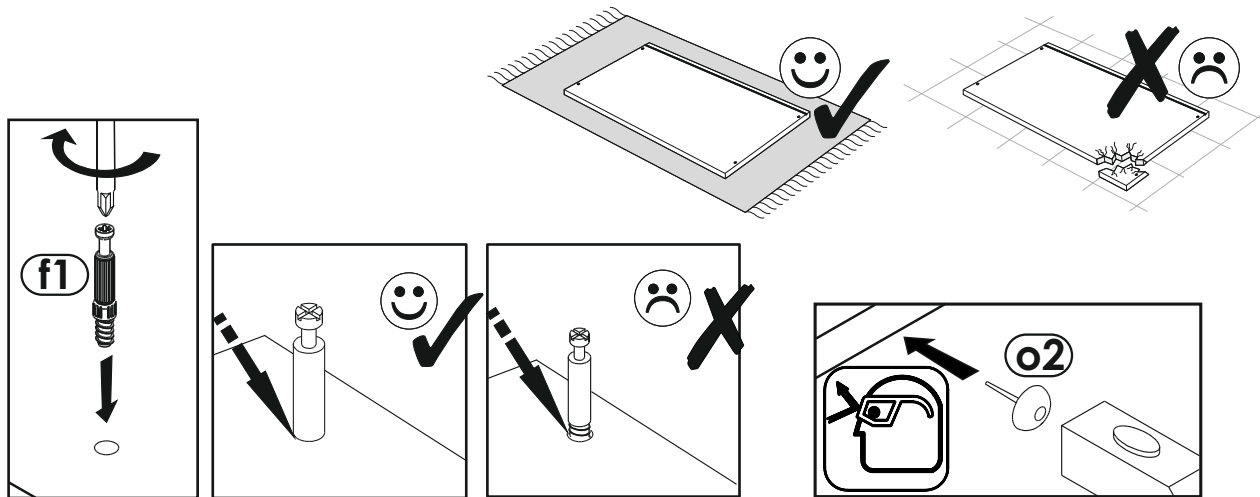
"1"



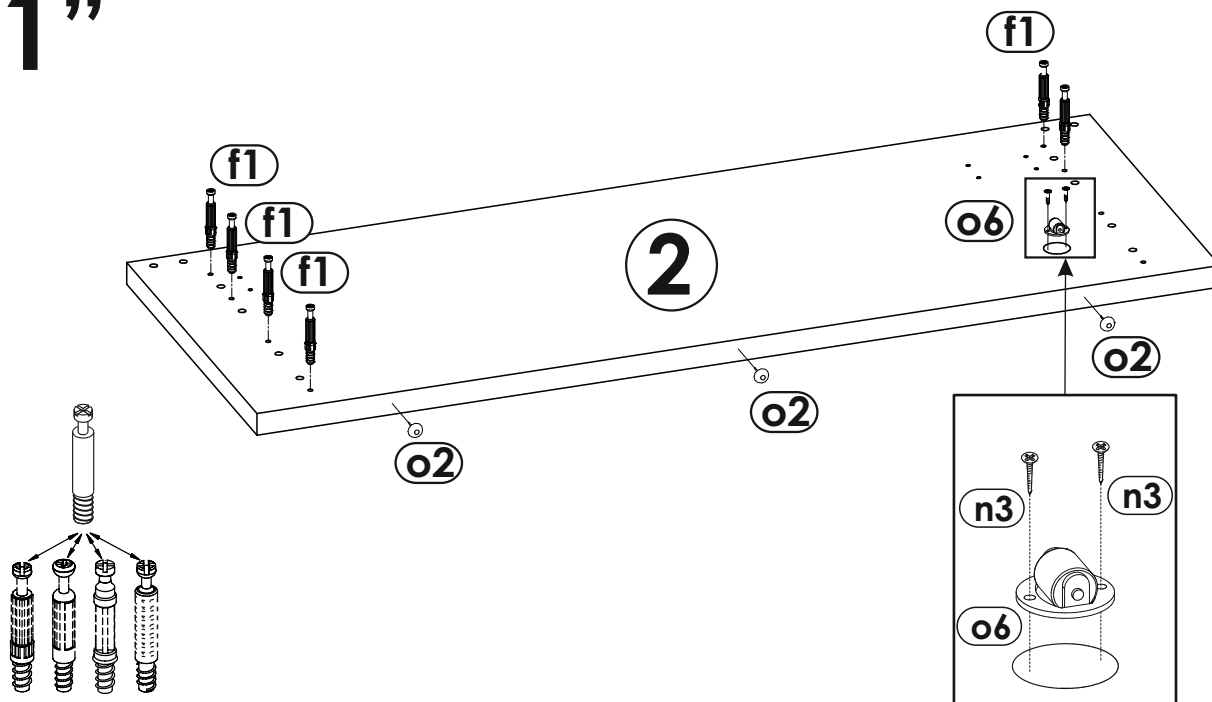
"2"



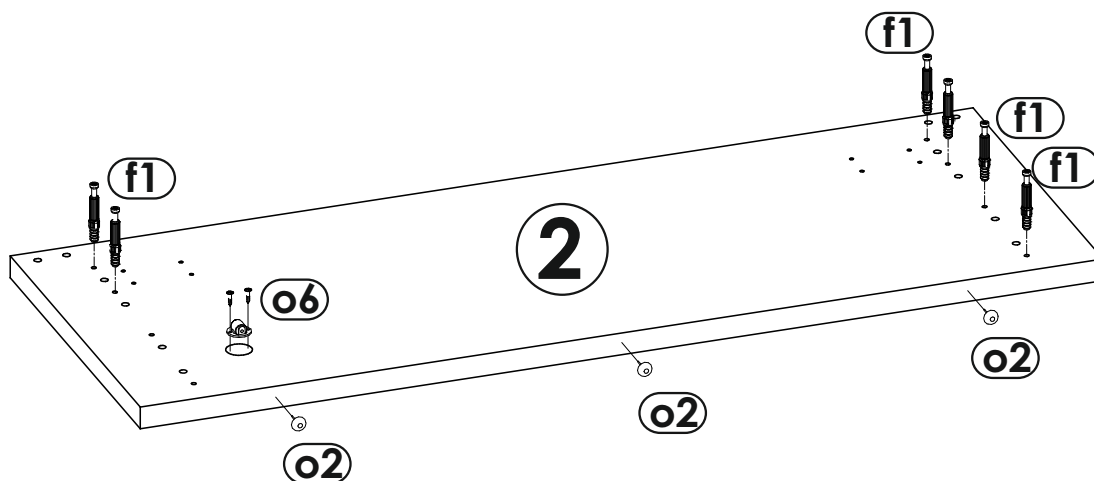
6



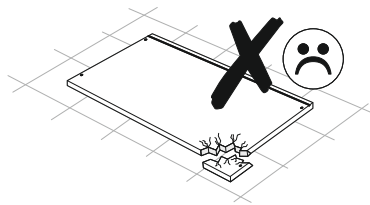
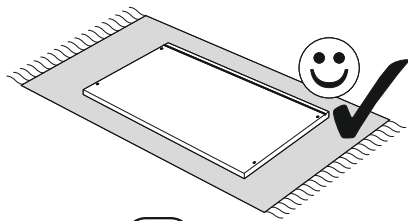
"1"



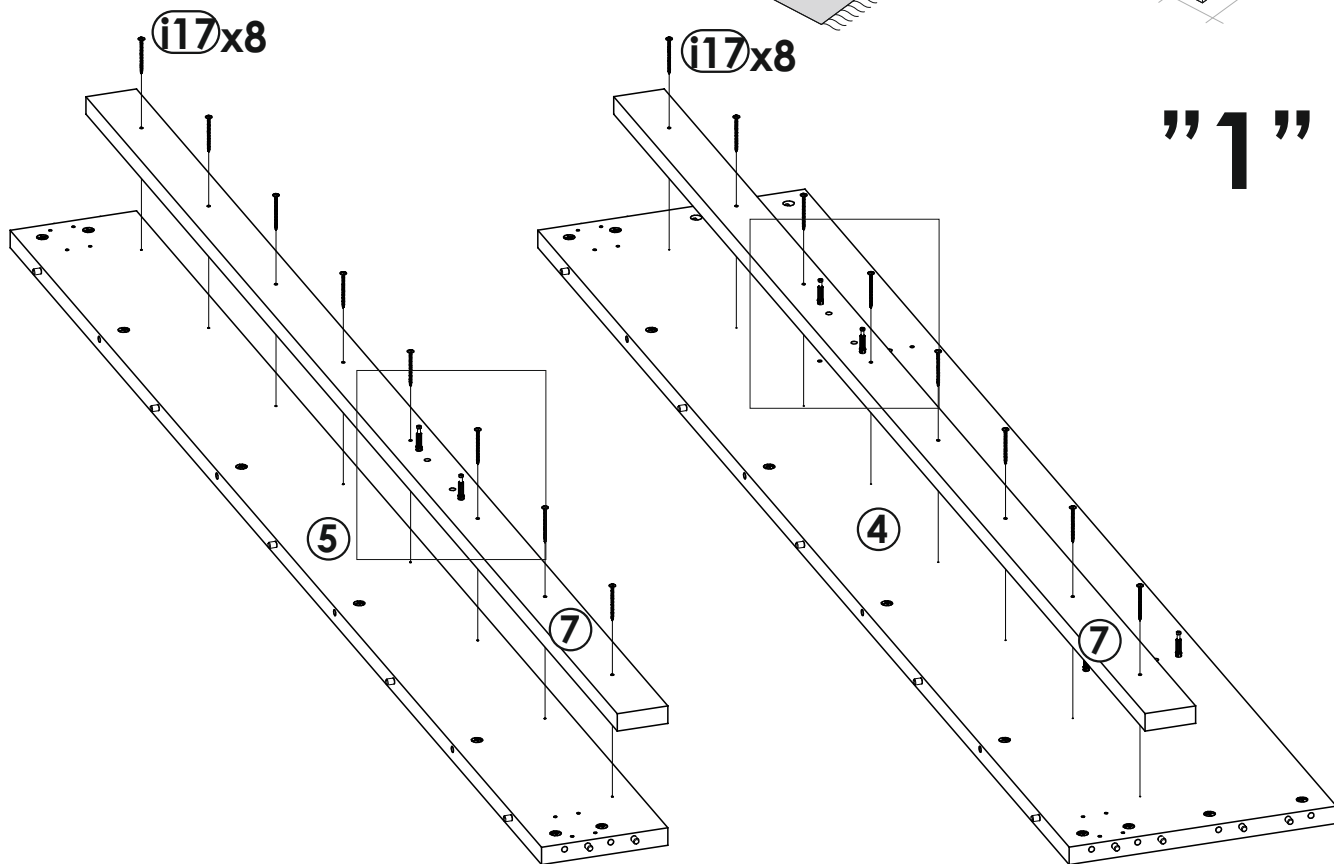
"2"



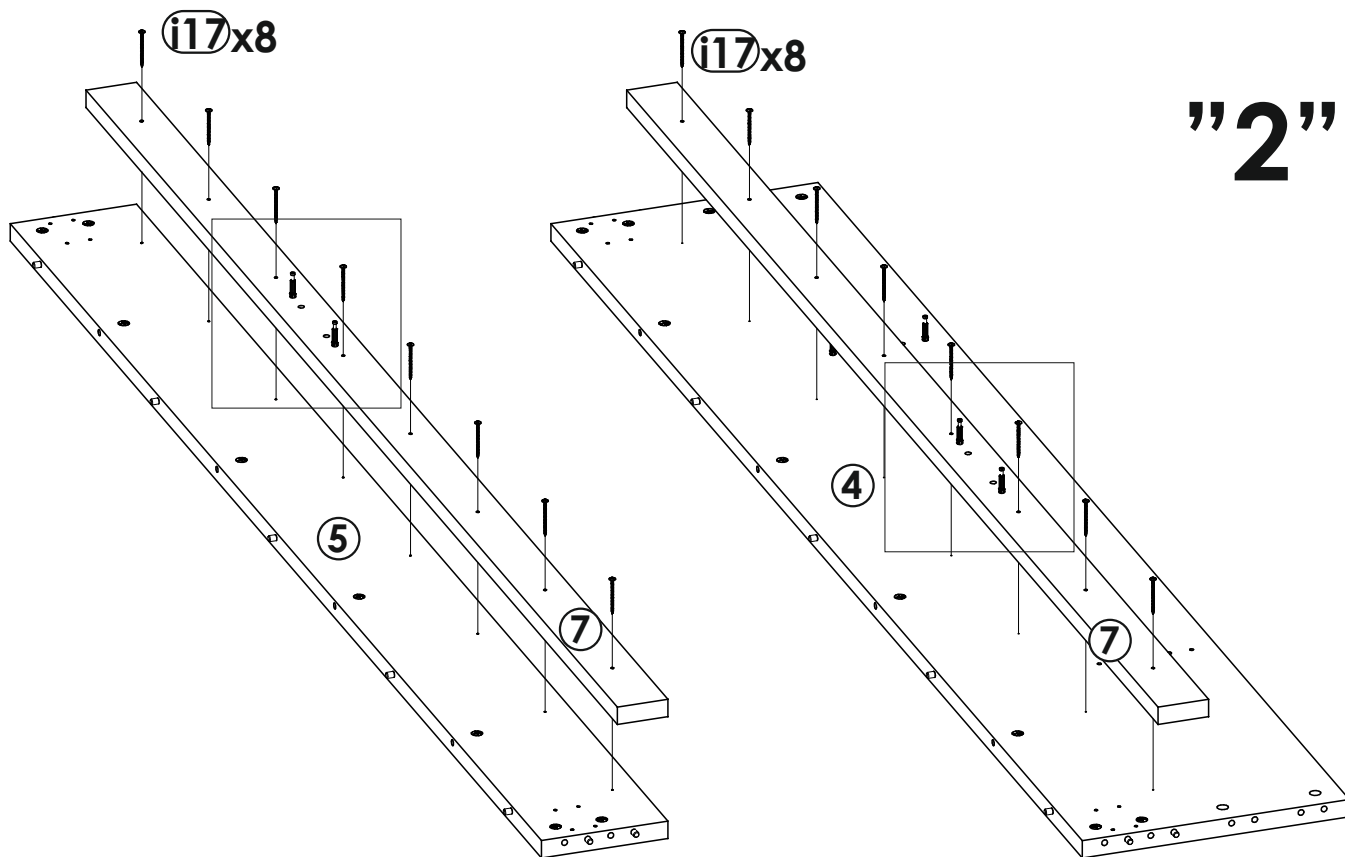
8
▼



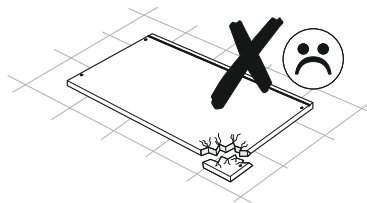
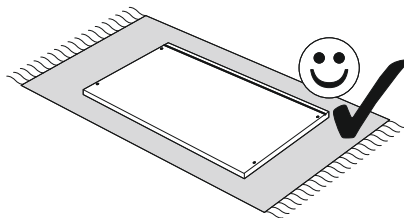
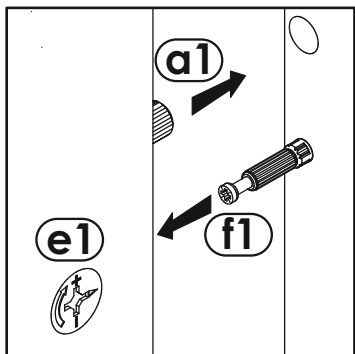
"1"



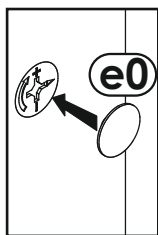
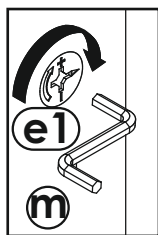
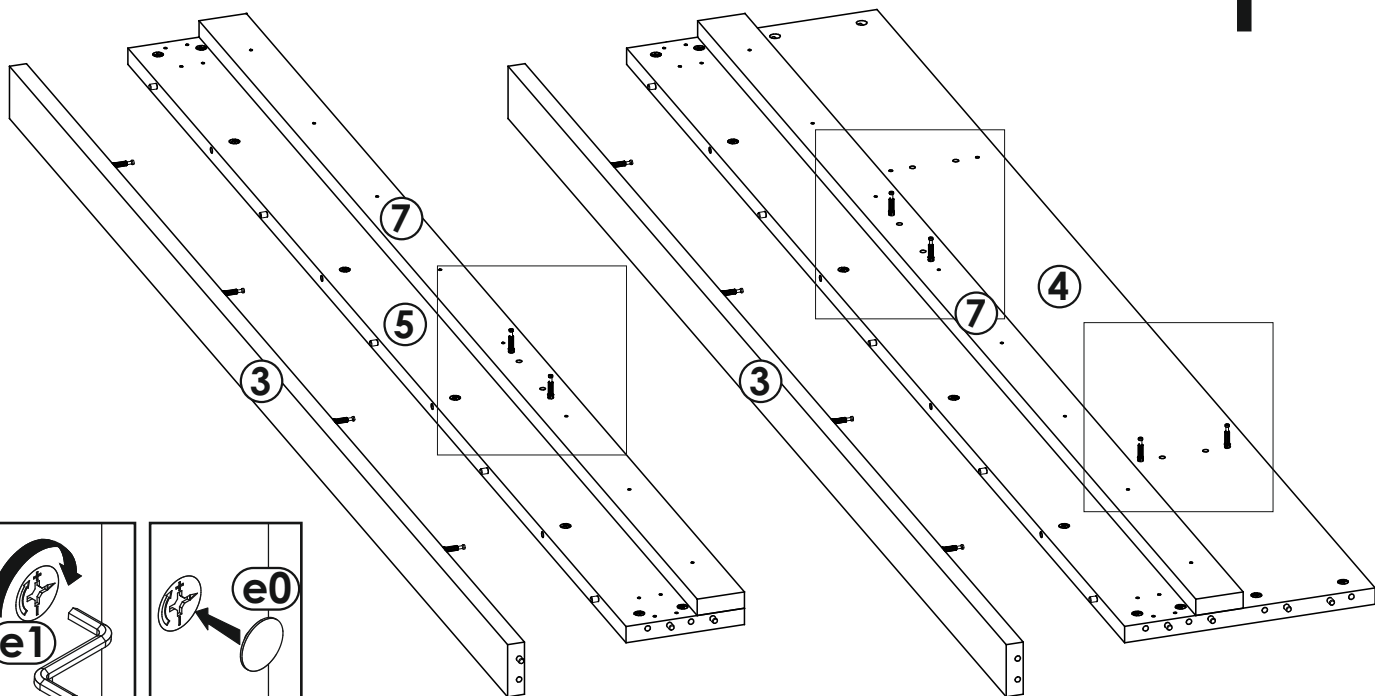
"2"



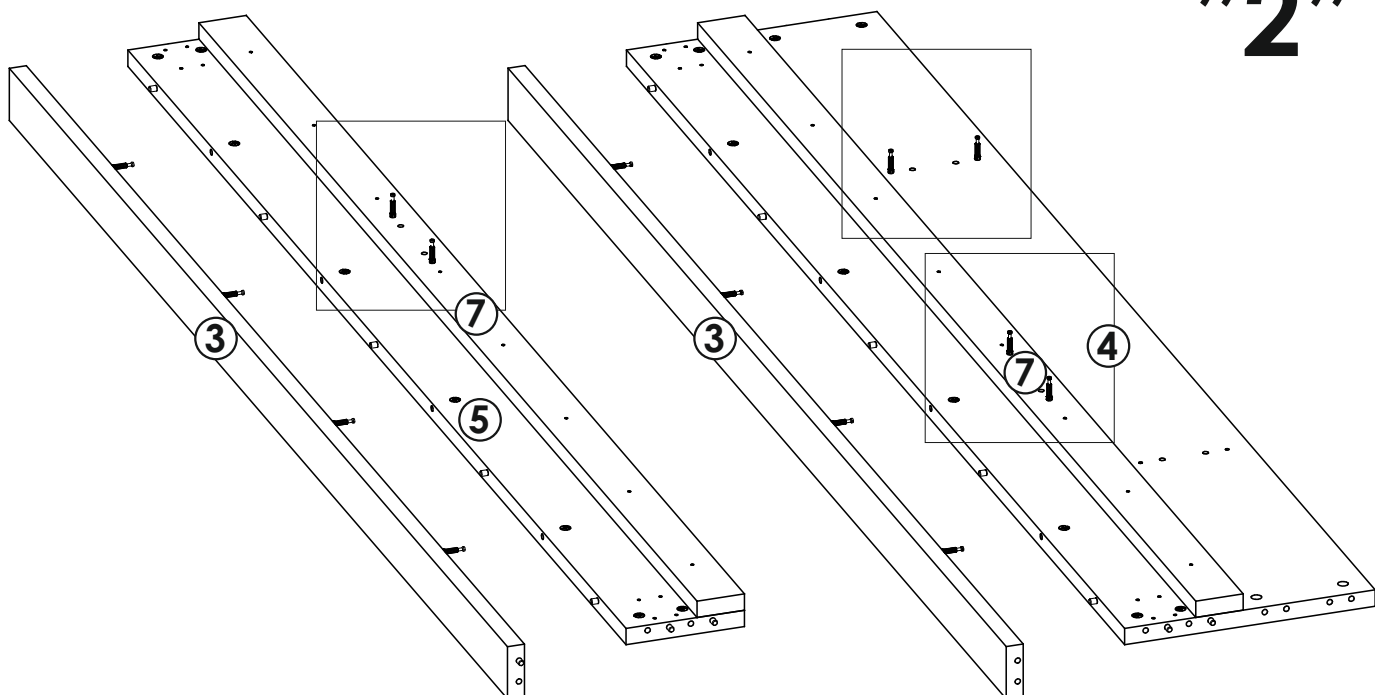
9
▼



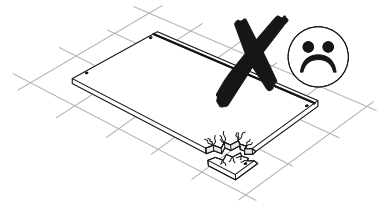
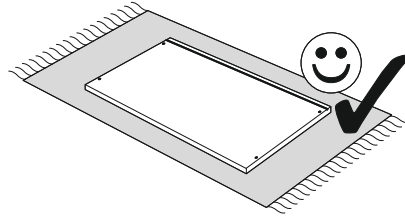
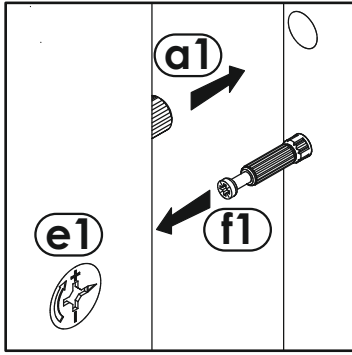
”1”



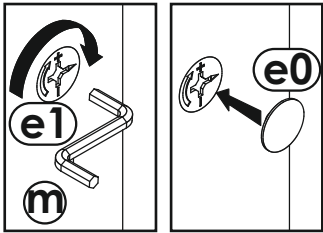
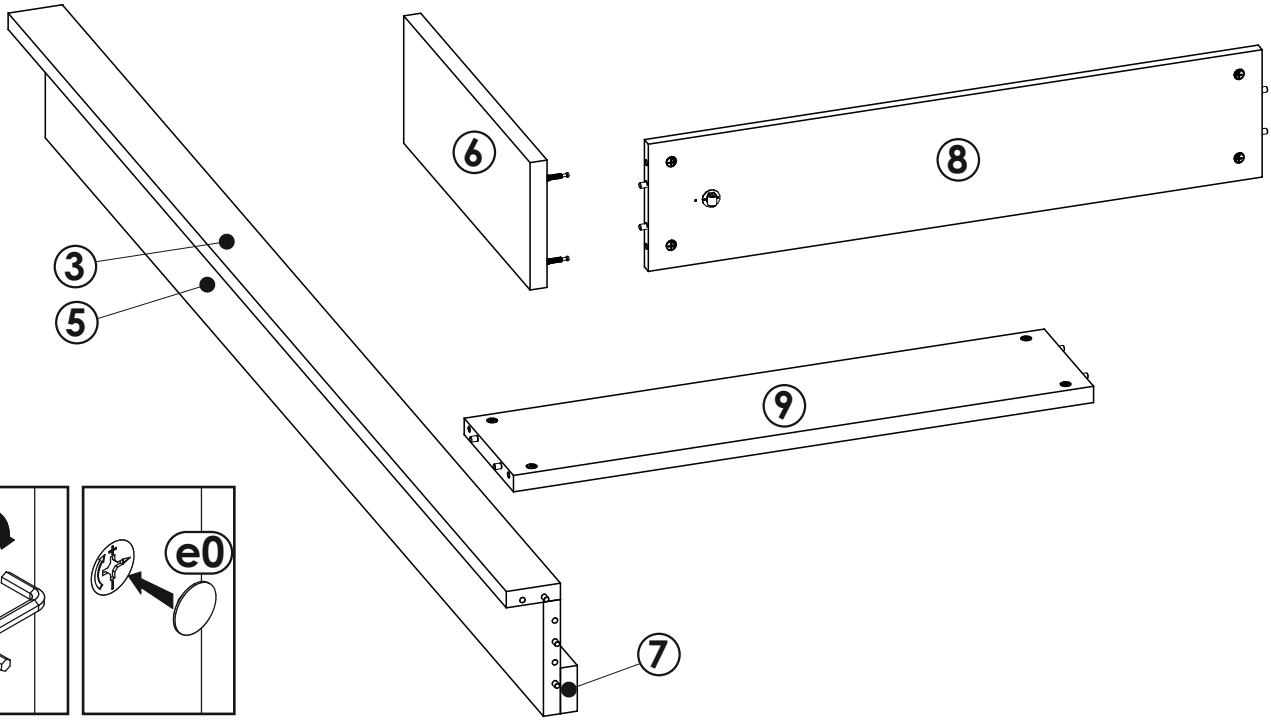
”2”



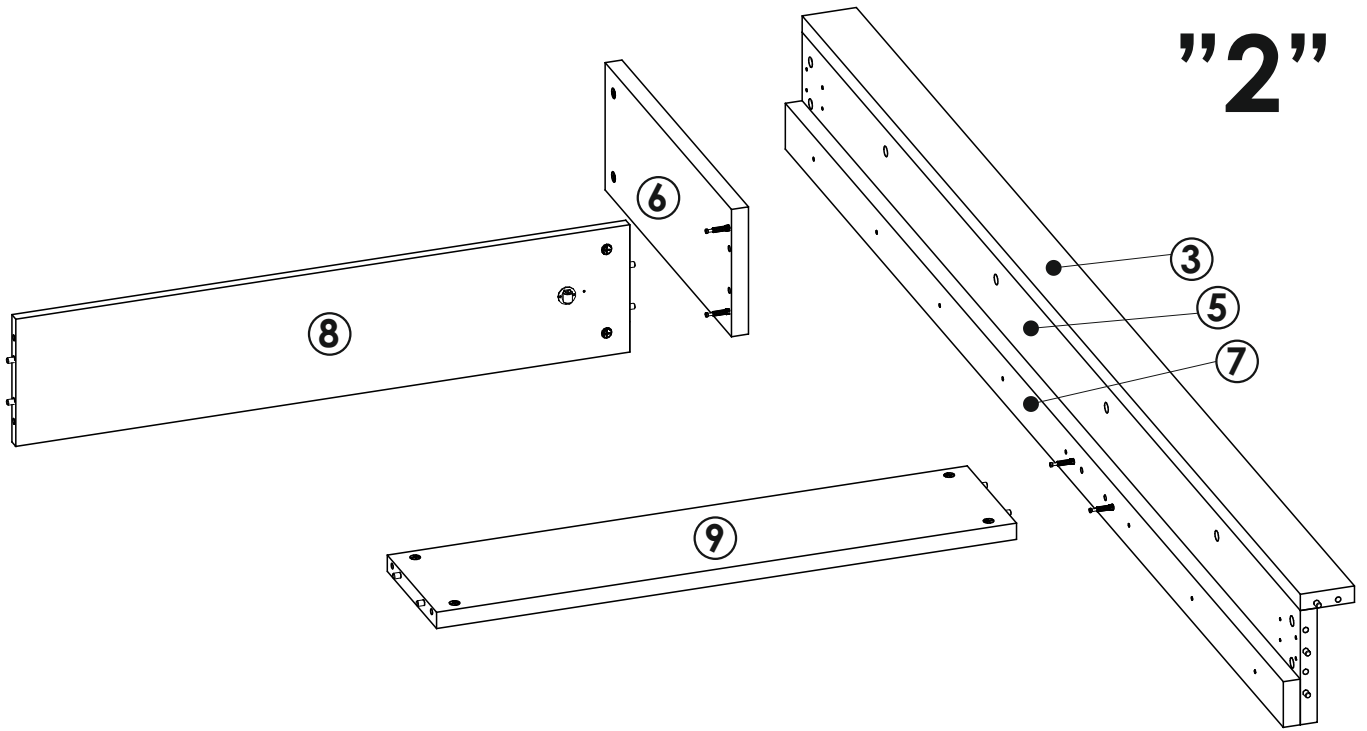
10
▼



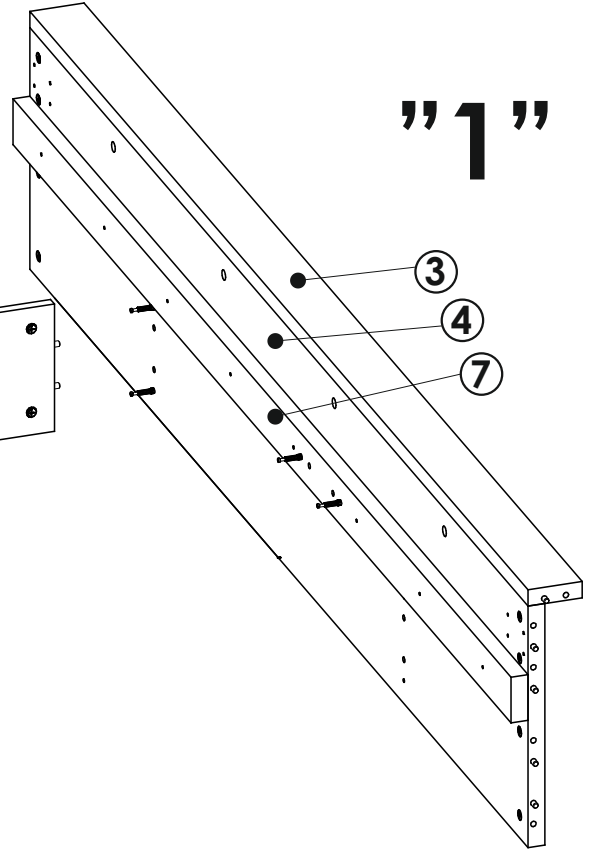
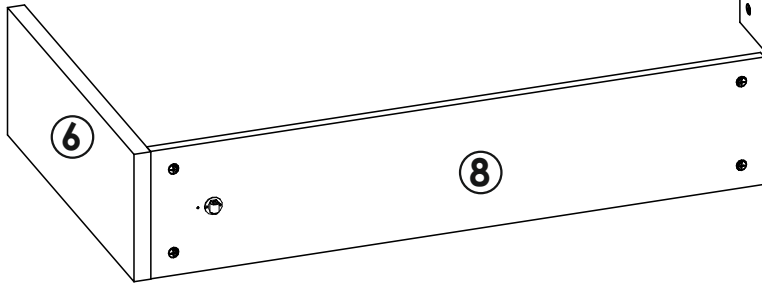
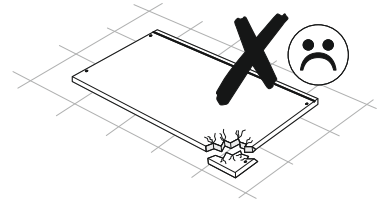
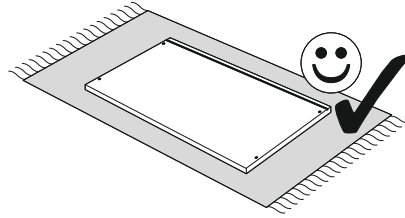
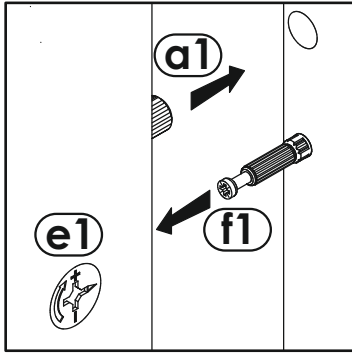
”1”



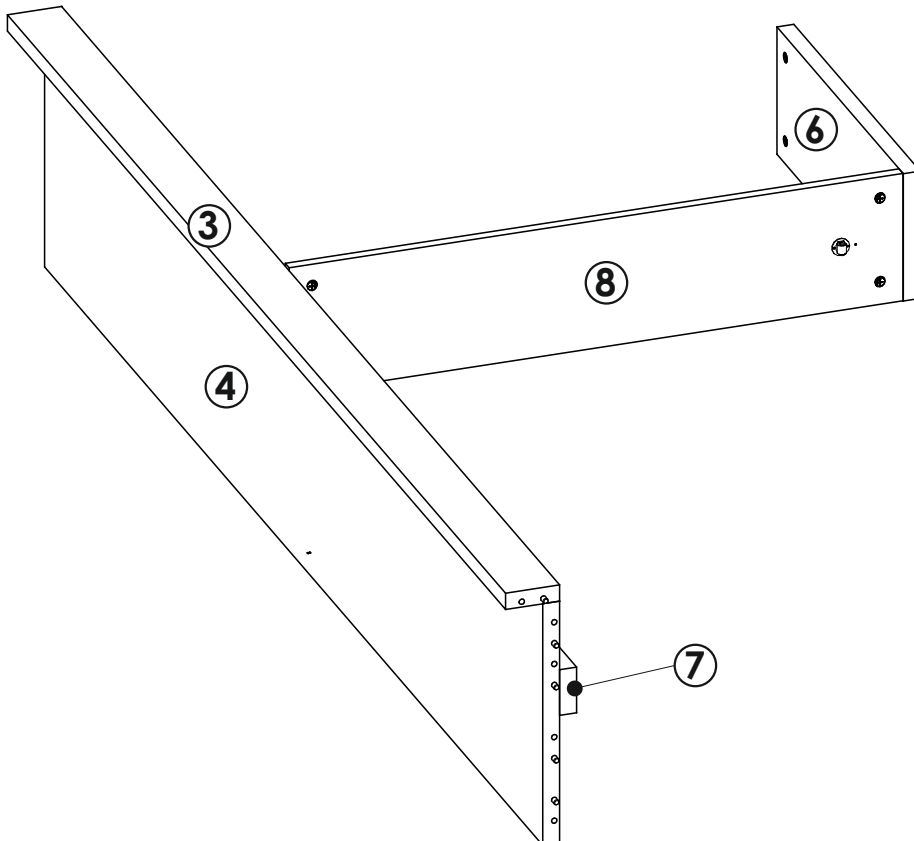
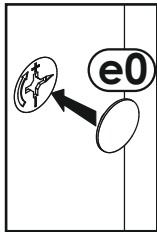
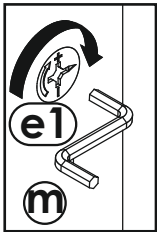
”2”



11
↓

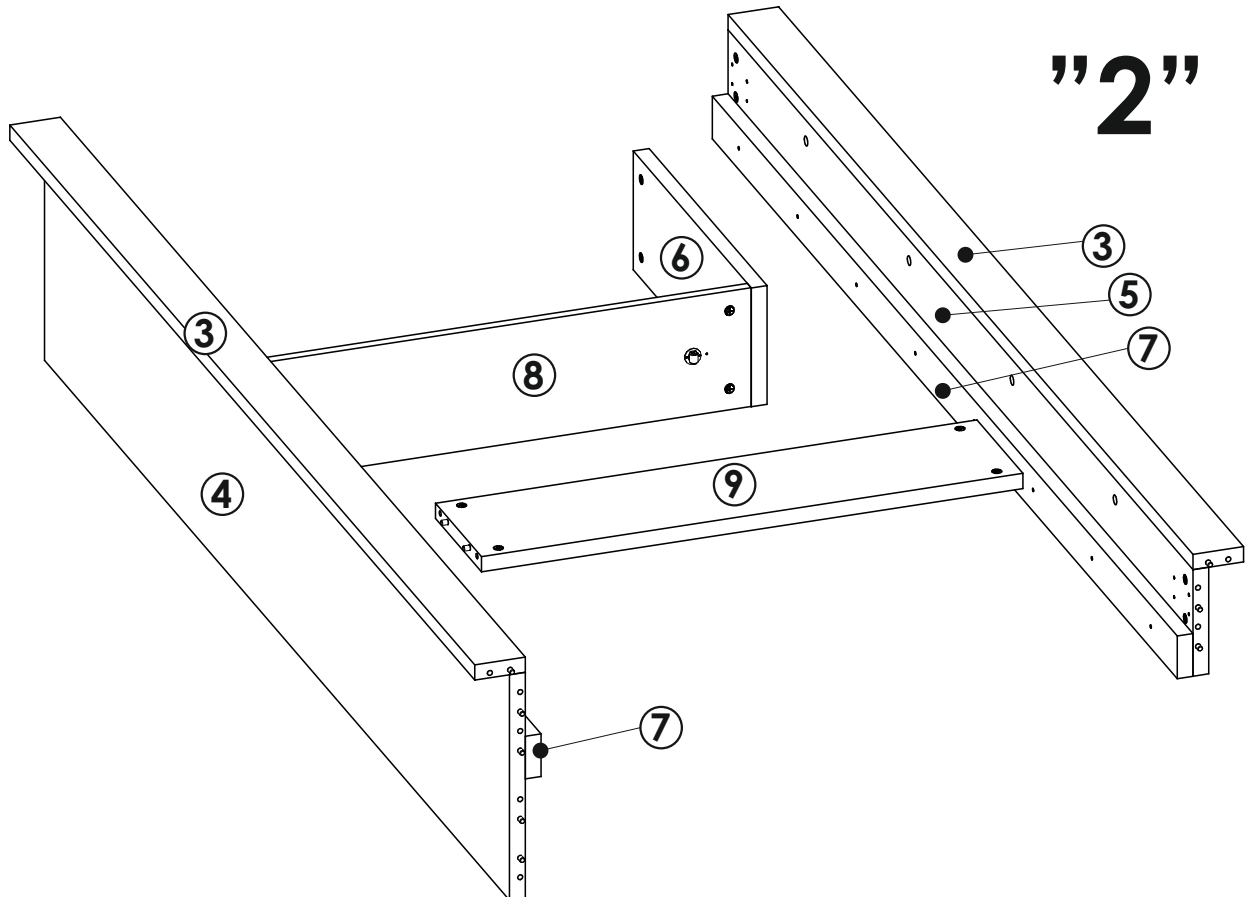
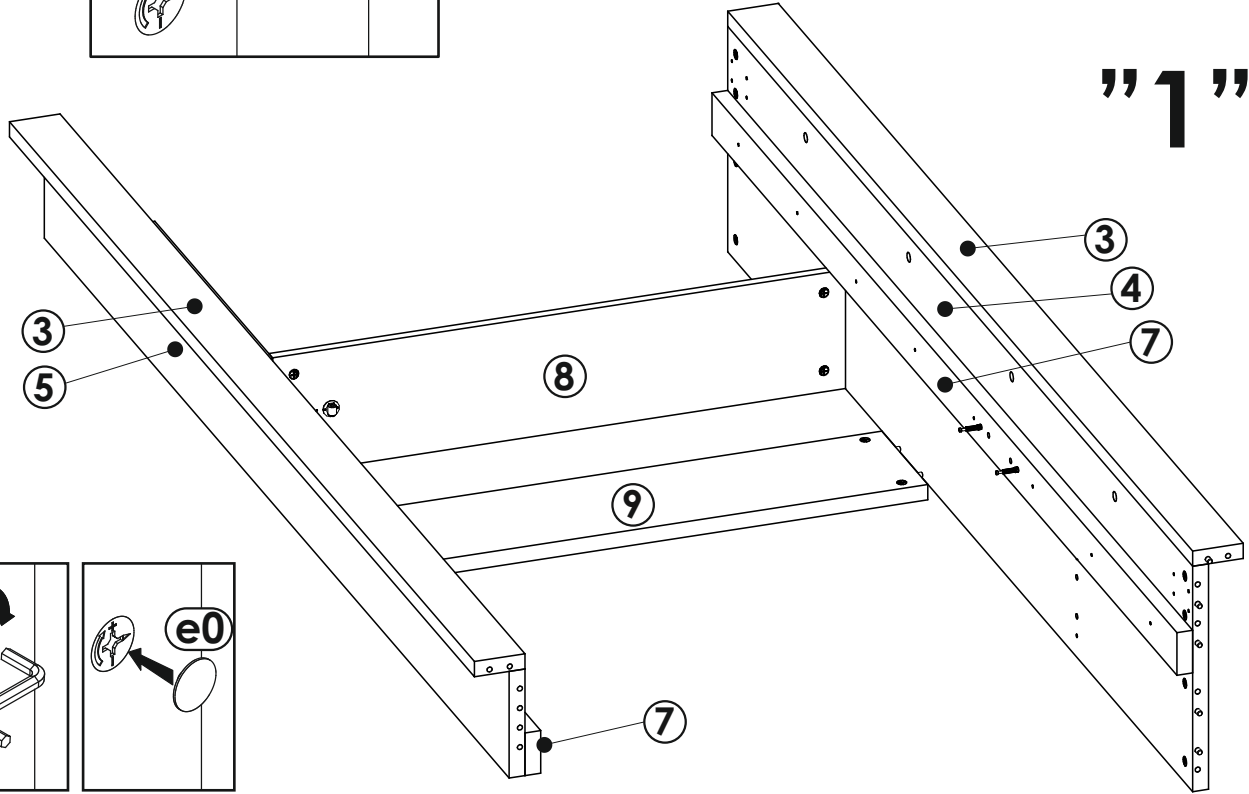
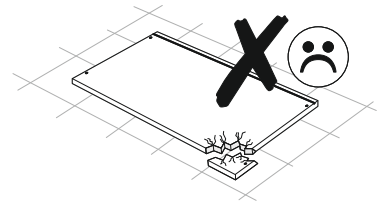
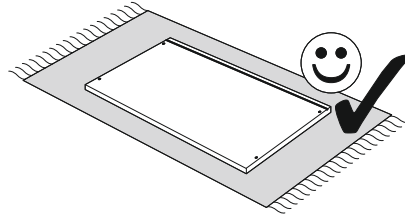
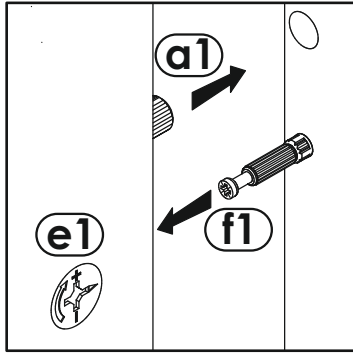


"1"



"2"

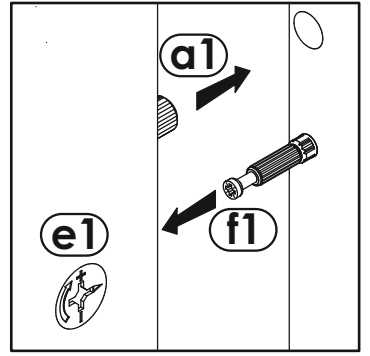
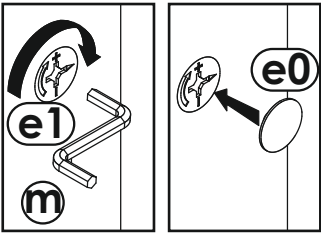
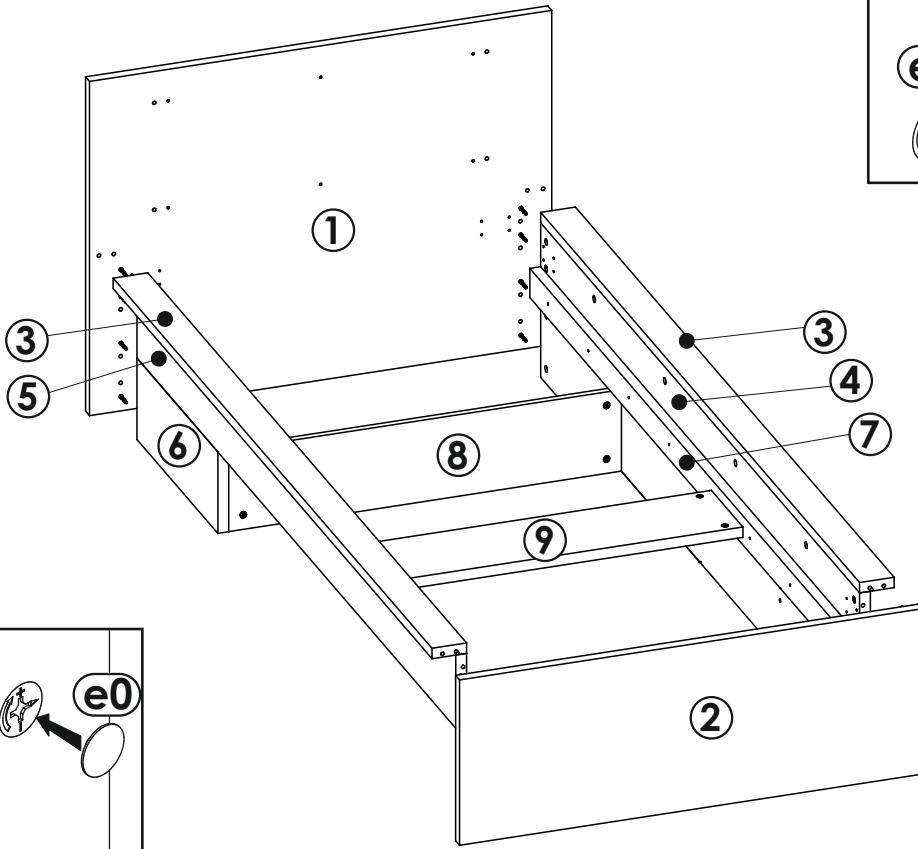
12
▼



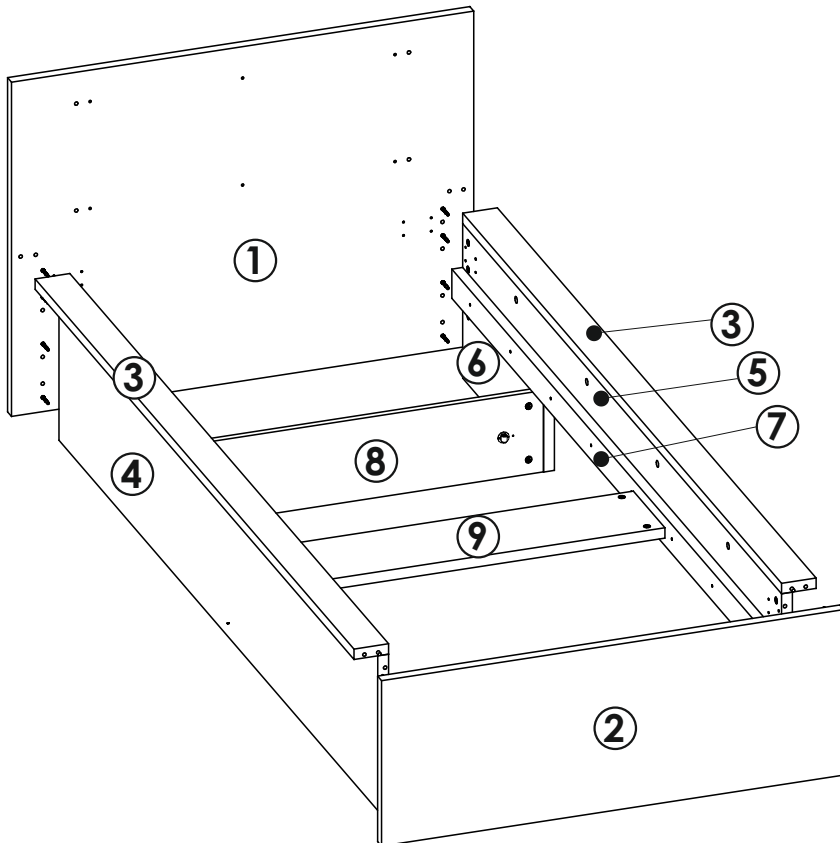
13



"1"



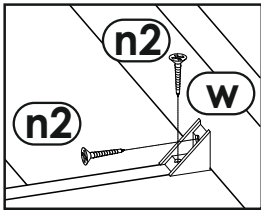
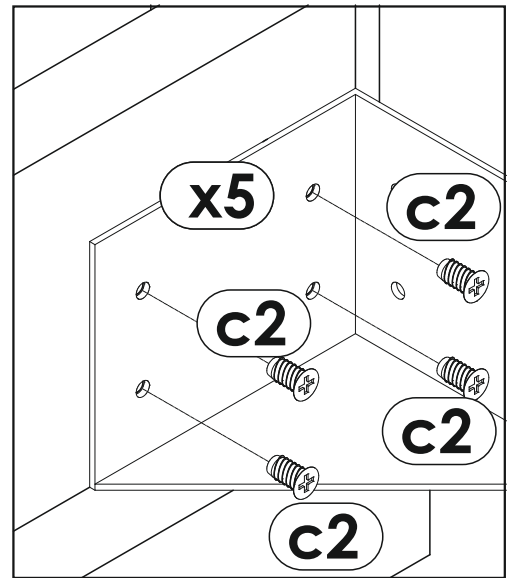
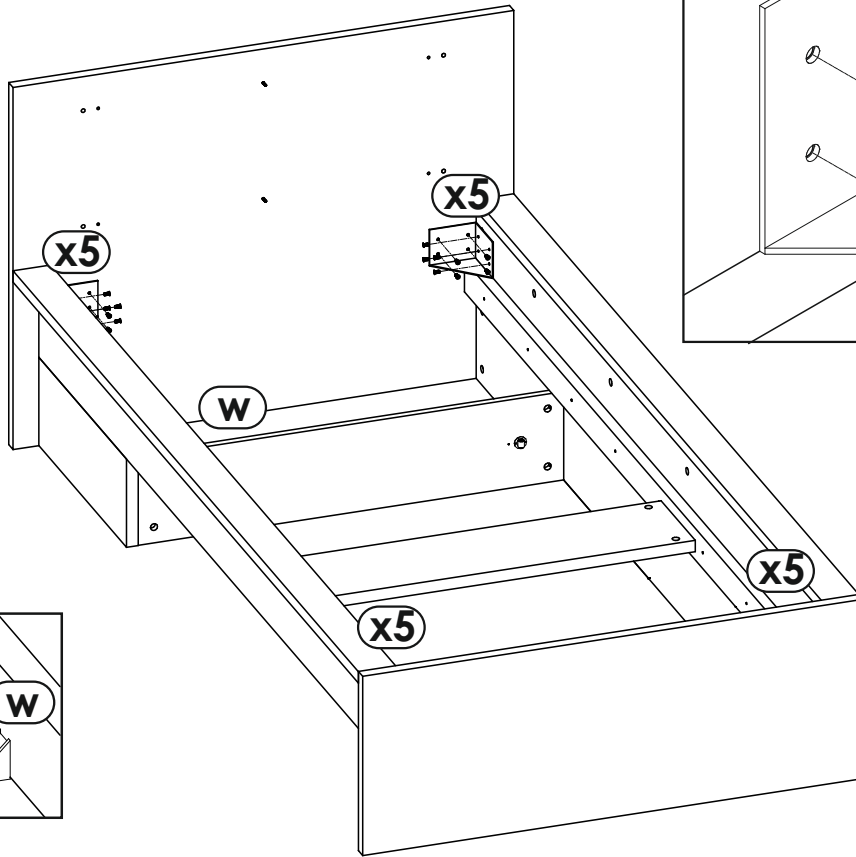
"2"



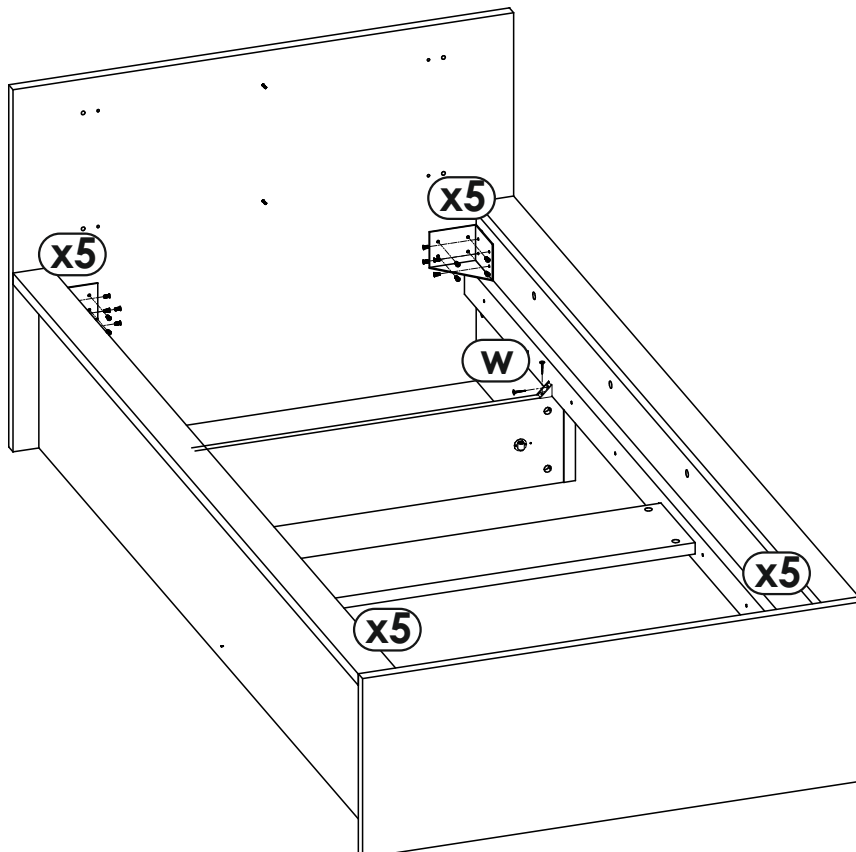
14



"1"

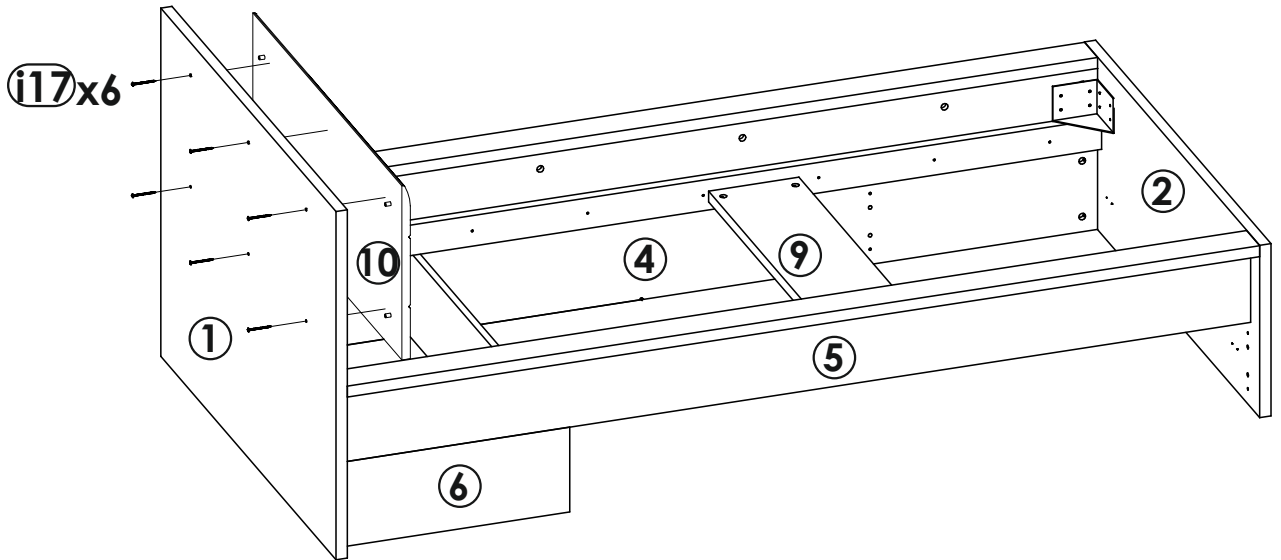
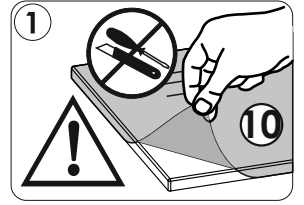


"2"

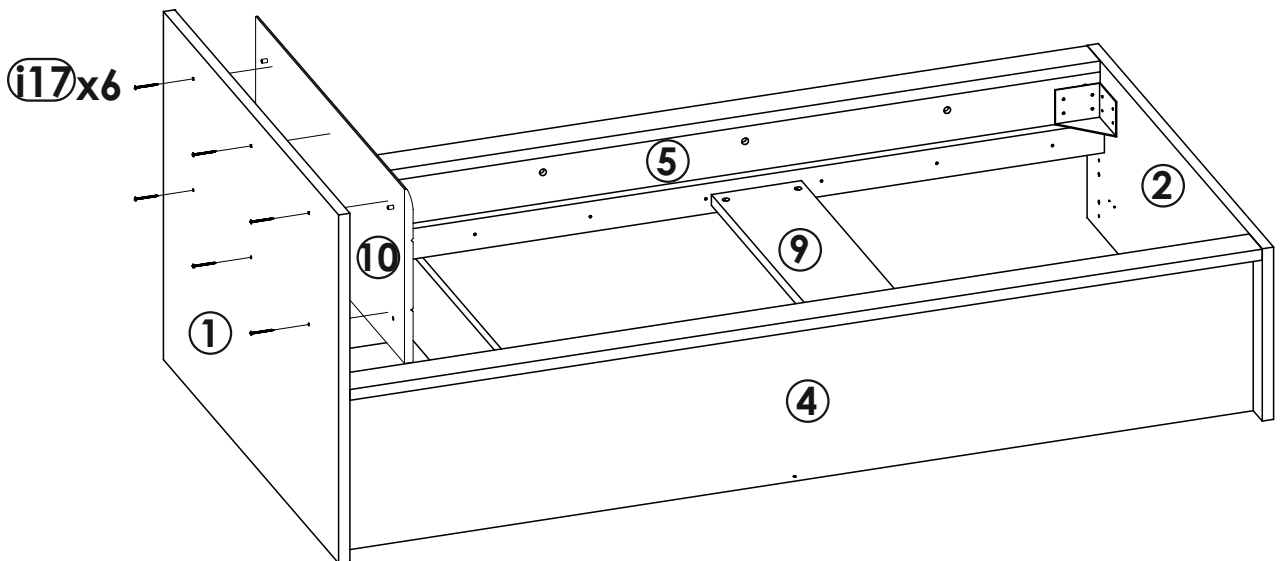


15
▼

"1"

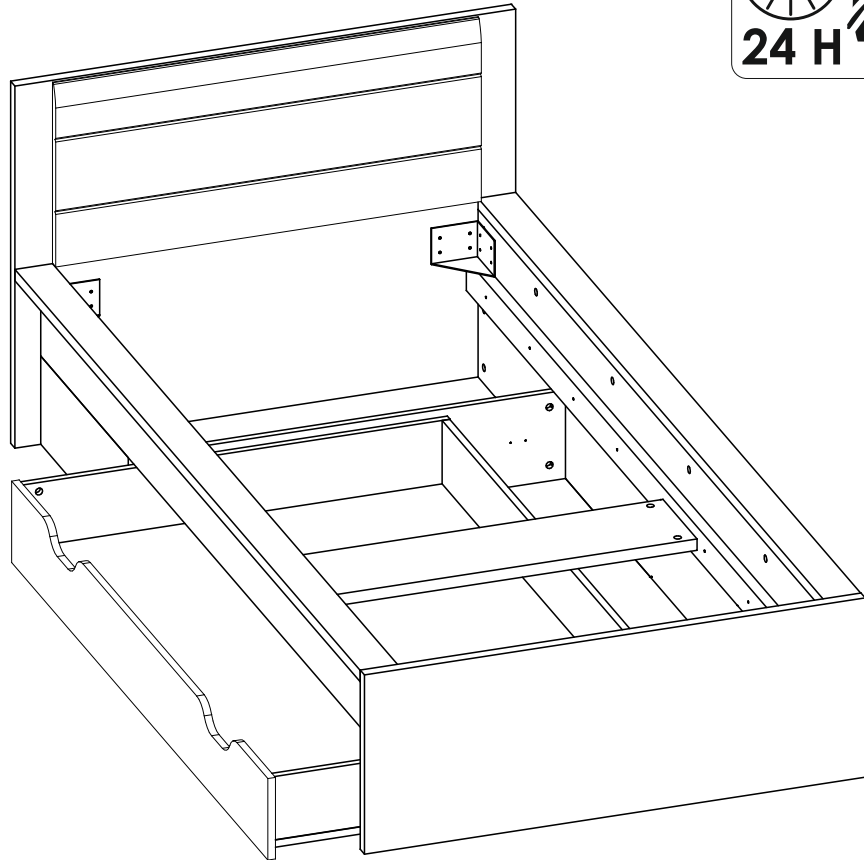


"2"



16
▼

"1"



"2"

