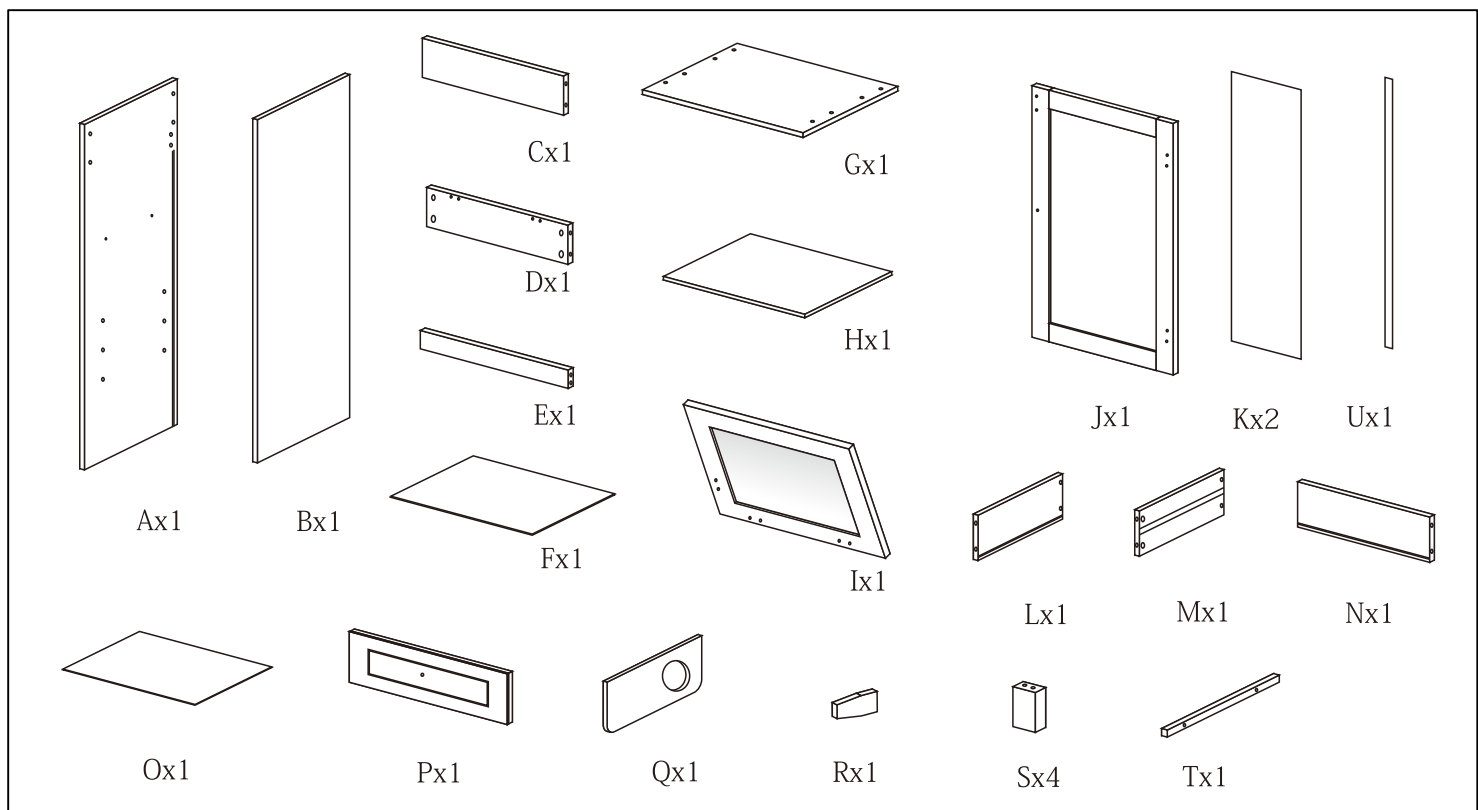
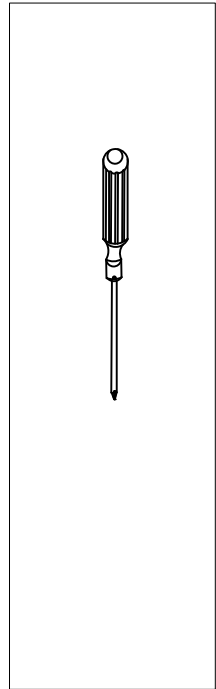
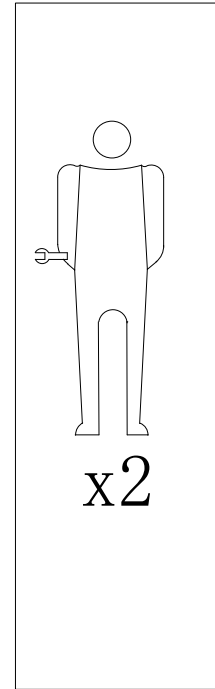
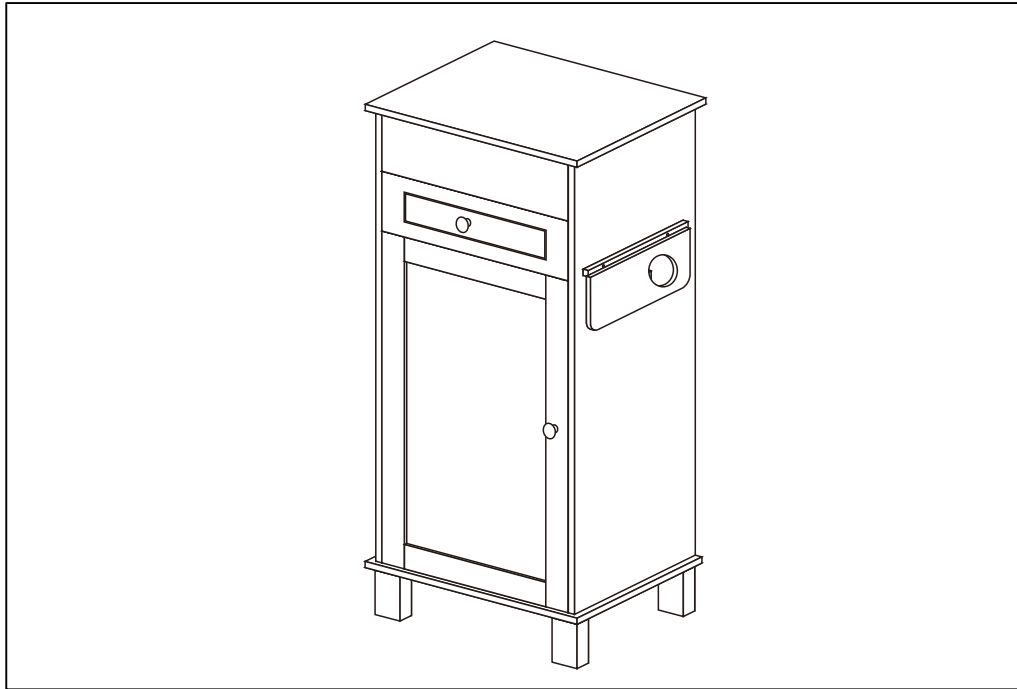
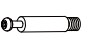


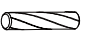


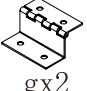






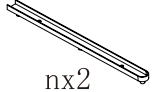
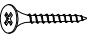


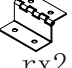


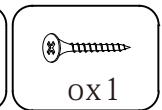
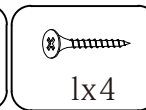
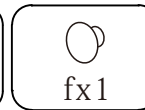
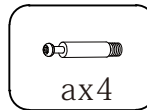
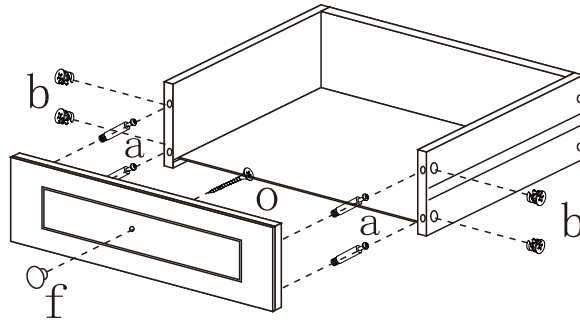
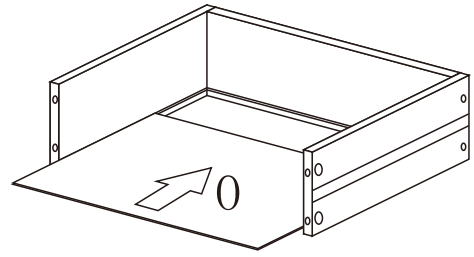
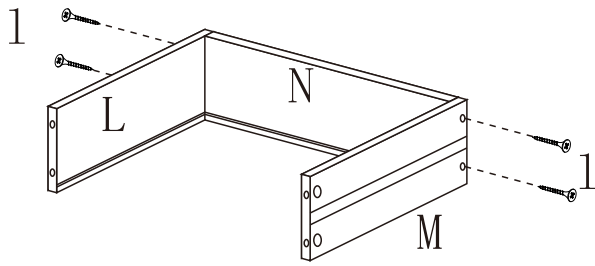
INSTRUCTION SHEET

22240009-01

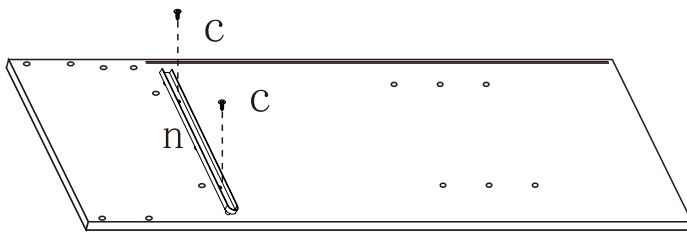


 ax14	 bx14	 cx28	 dx10	 ex4	 fx2	 gx2	 hx1
 ix1	 jx2	 kx8	 lx8	 mx2	 nx2	 ox2	 px1
 qx3	 rx2						

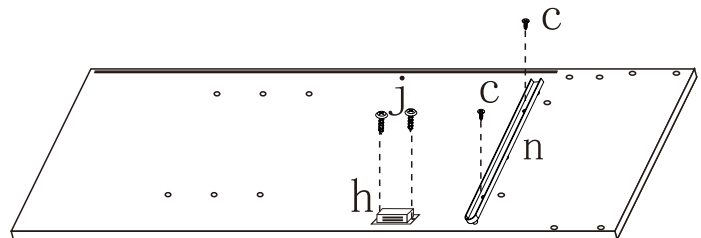
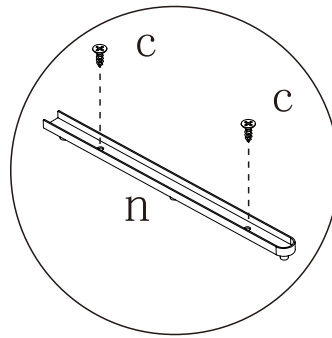
Step 1



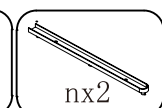
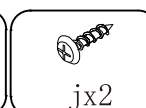
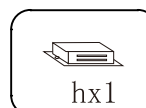
Step 2



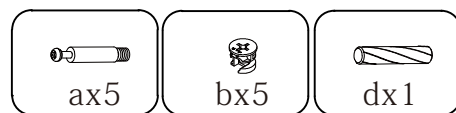
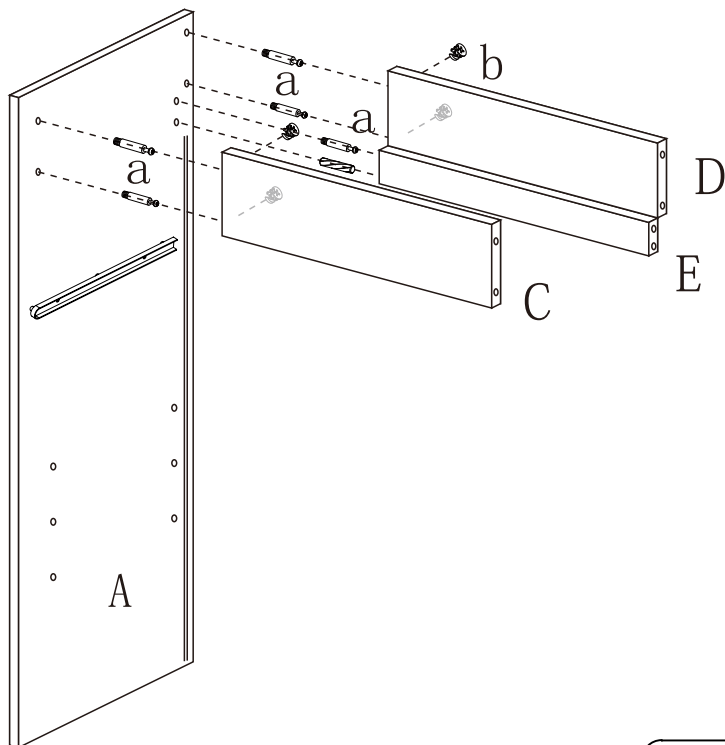
A



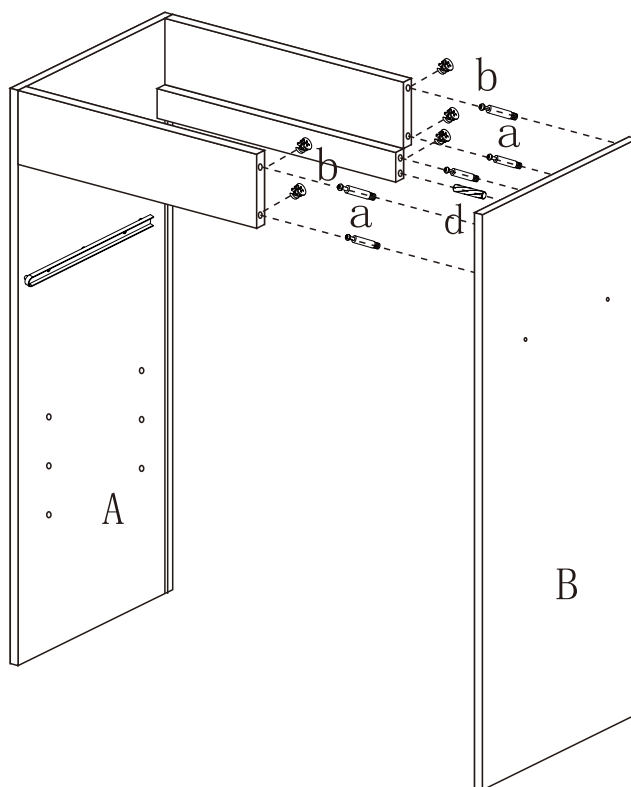
B



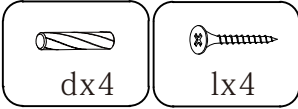
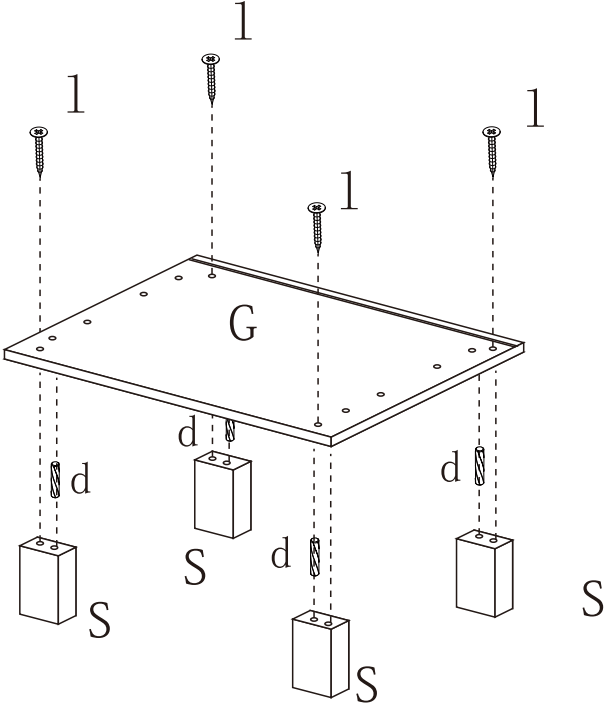
Step 3



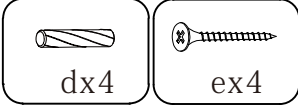
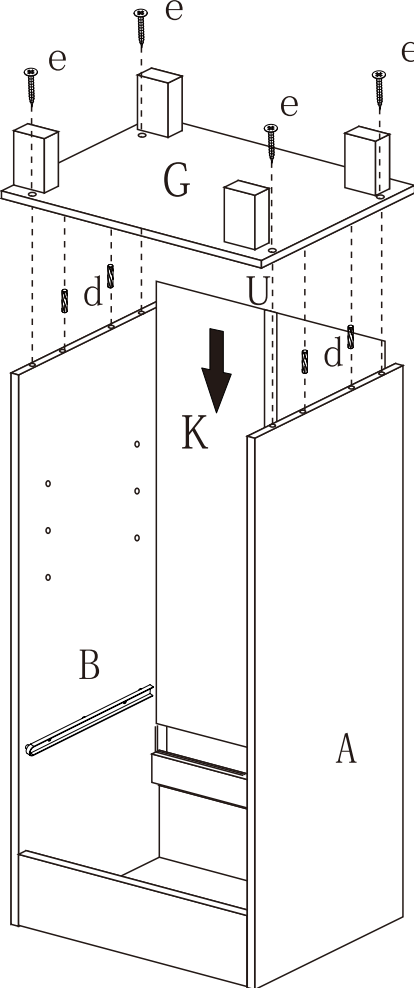
Step 4



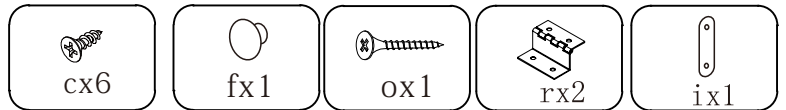
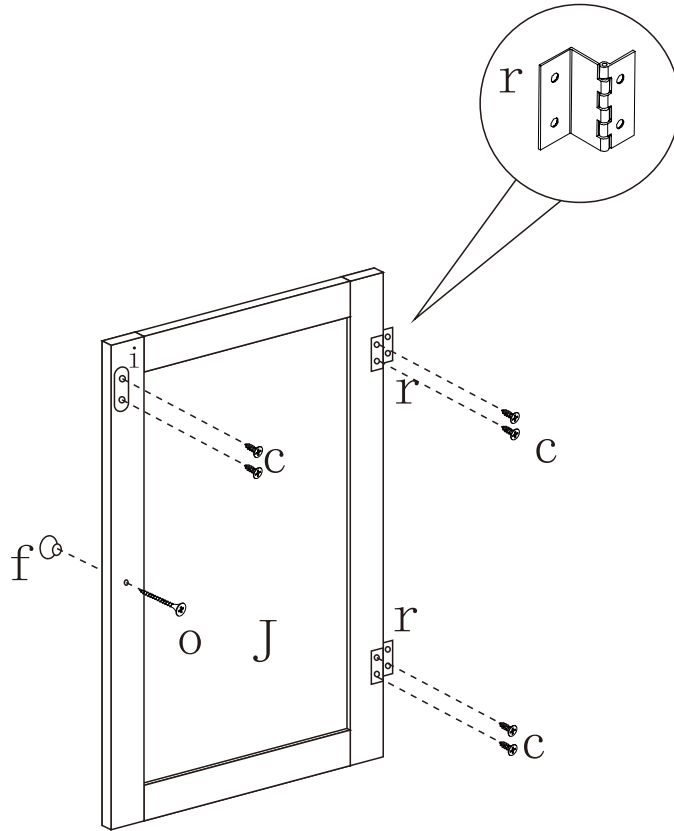
Step 5



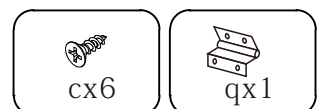
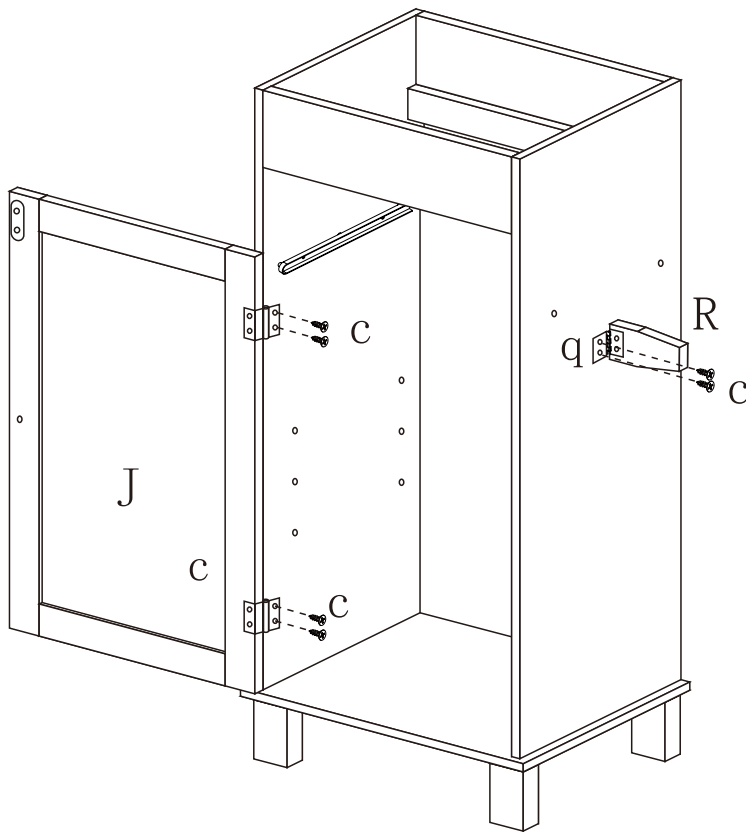
Step 6



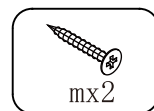
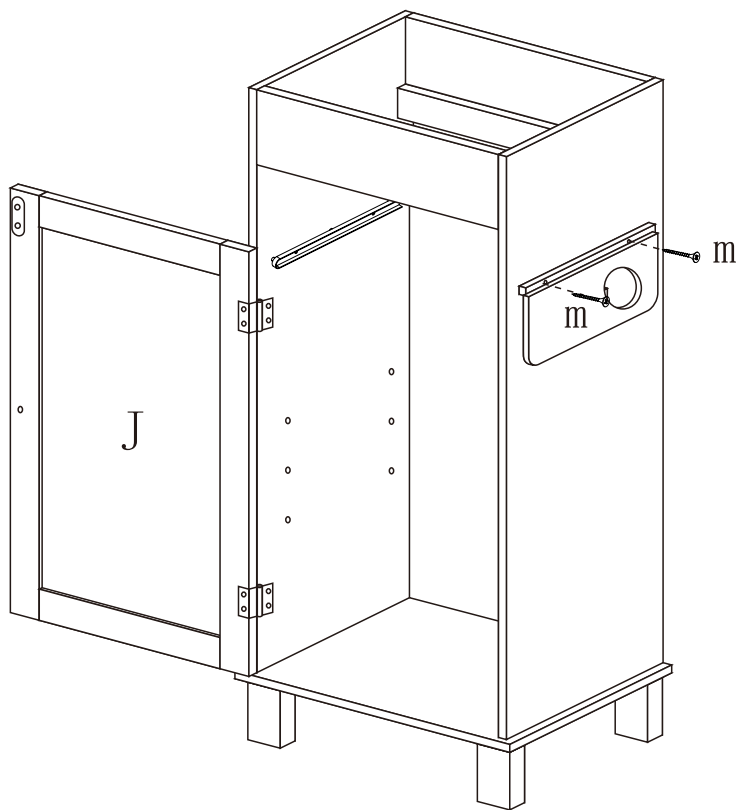
Step 7



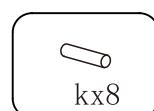
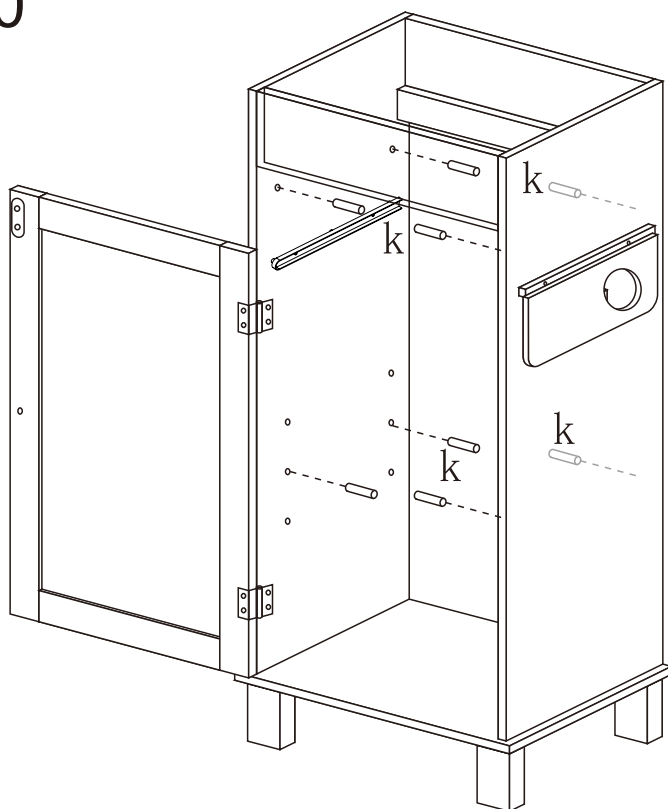
Step 8



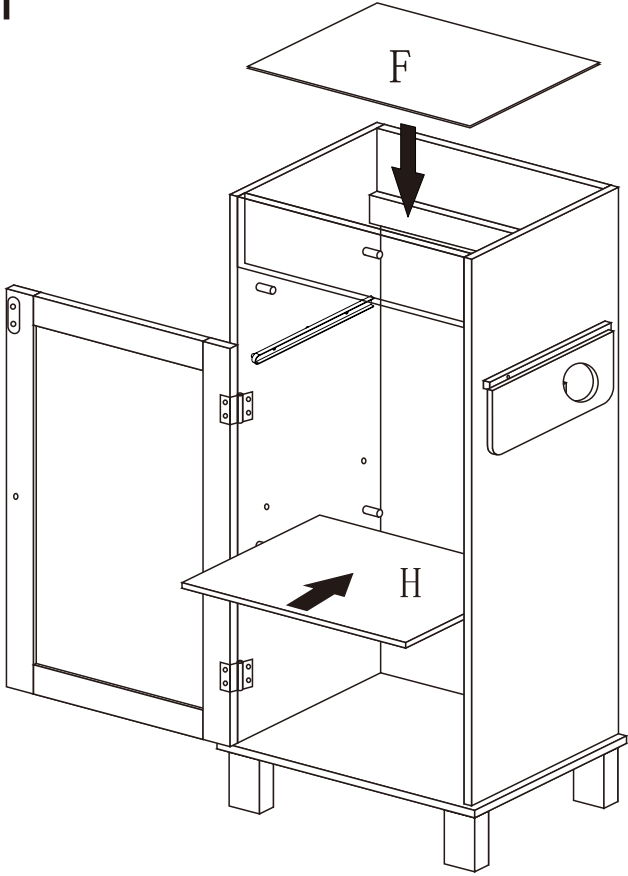
Step 9



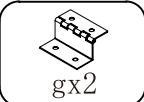
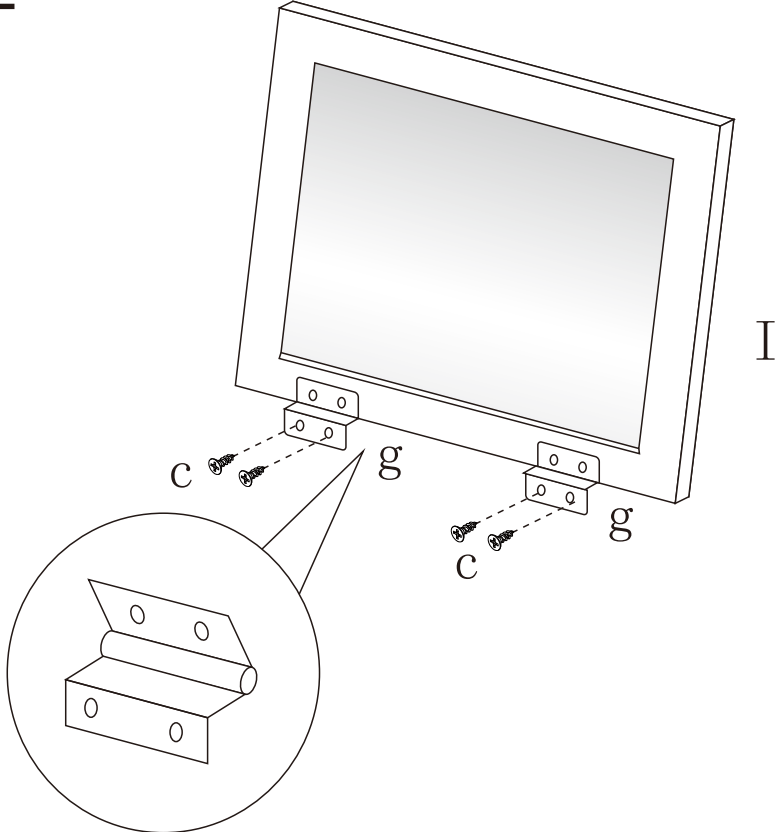
Step 10



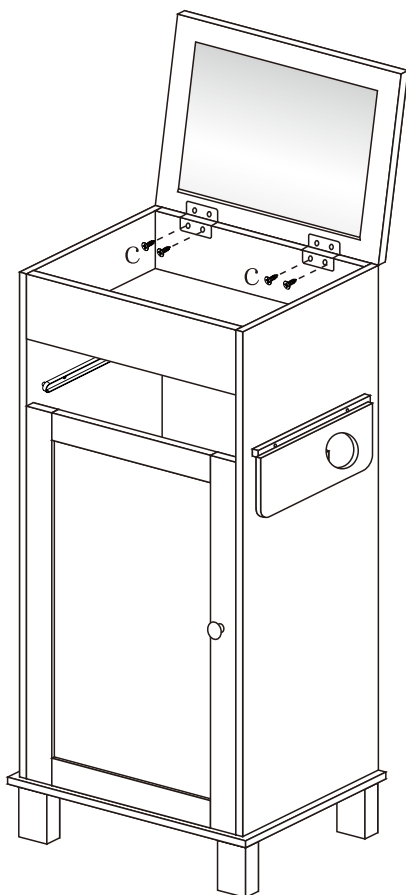
Step 11



Step 12



Step 13



Step 14

