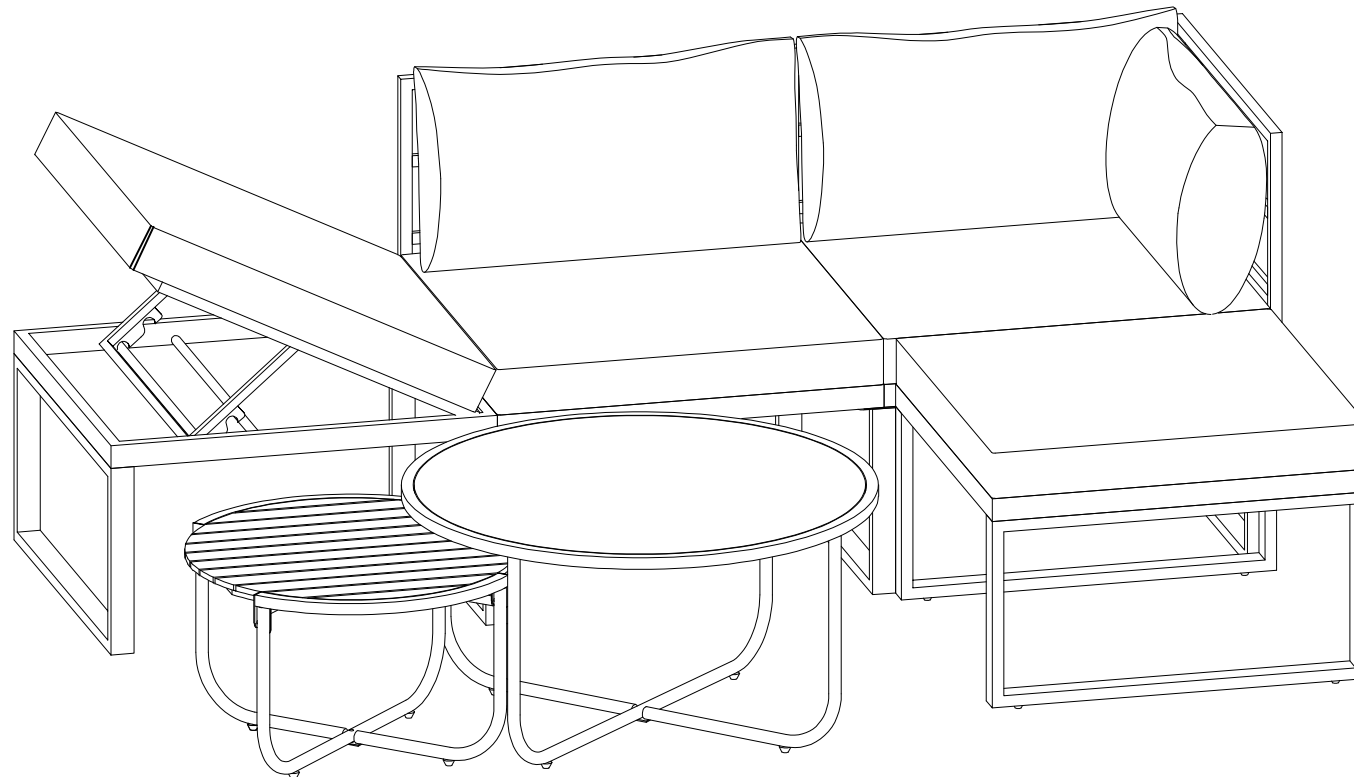
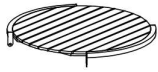









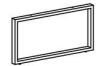




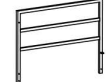









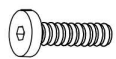
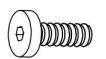




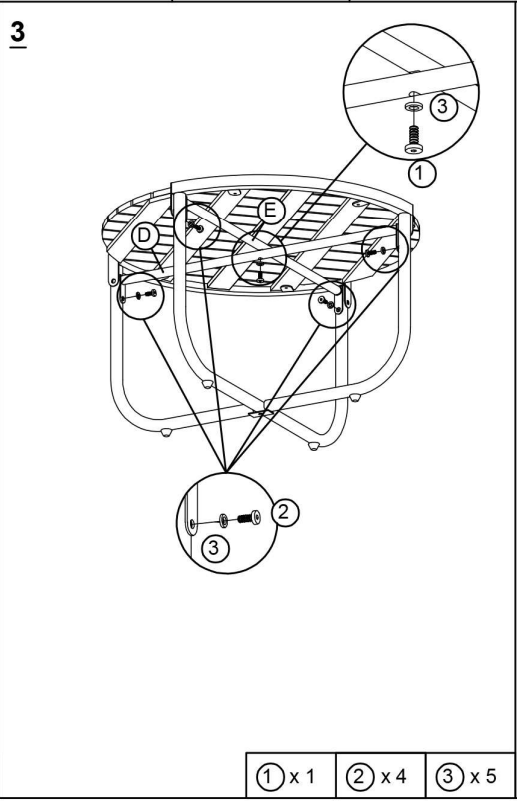
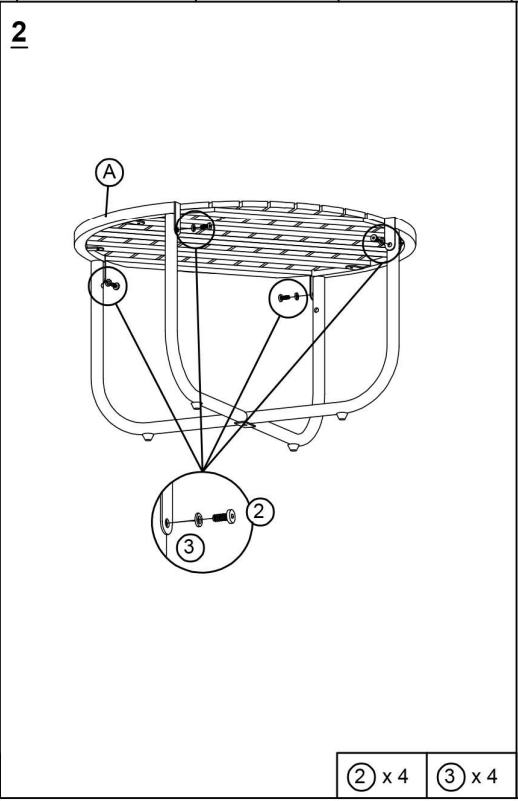
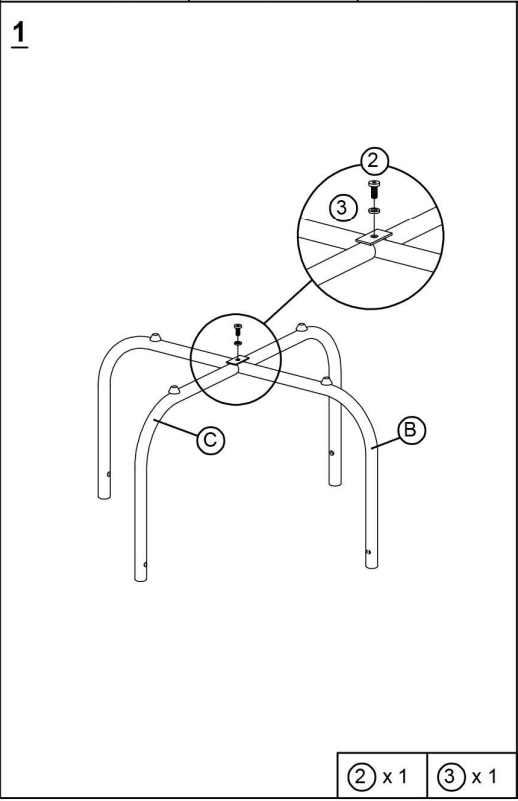
# ASSEMBLY ISNTRUCTION

Article No.: 20140227/01

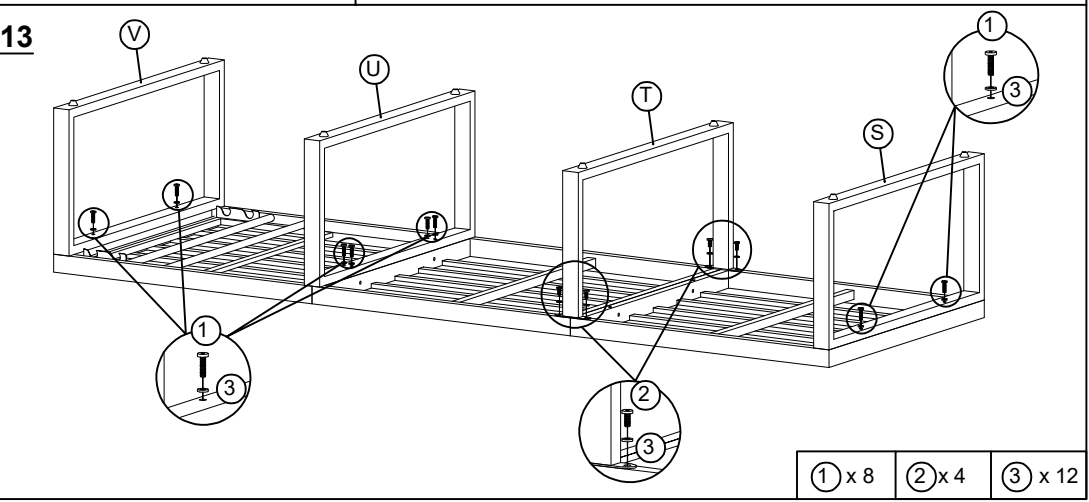
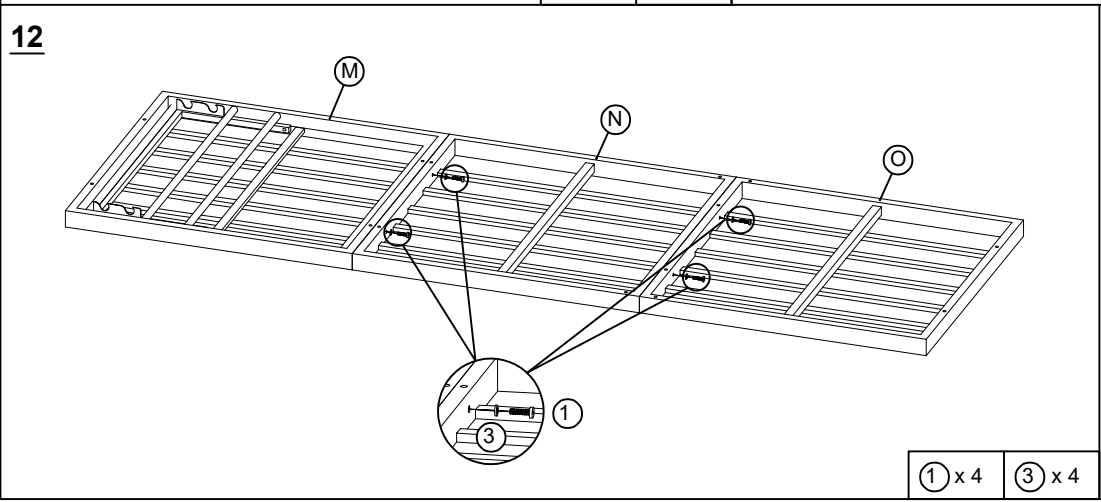
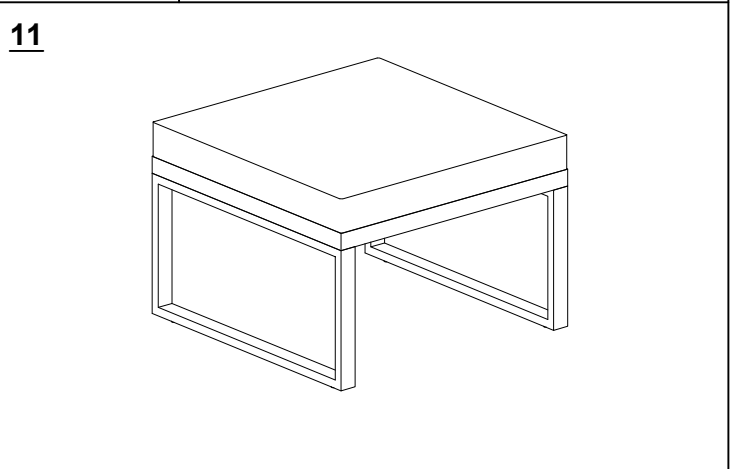
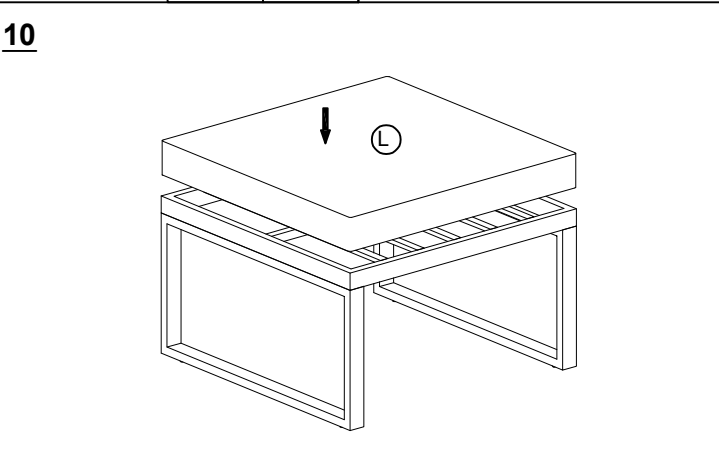
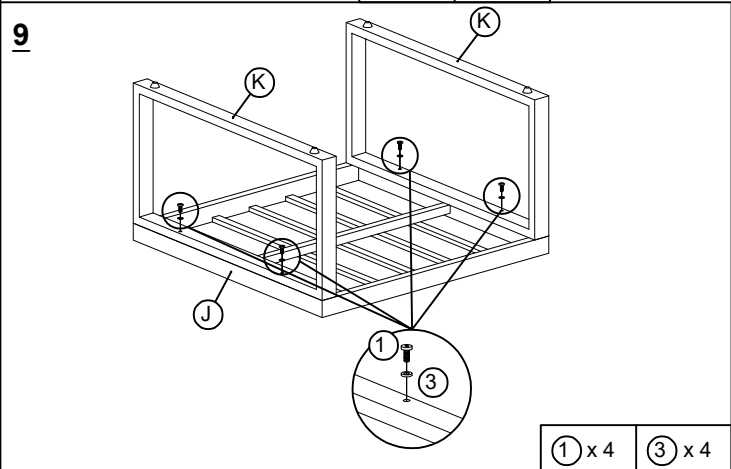
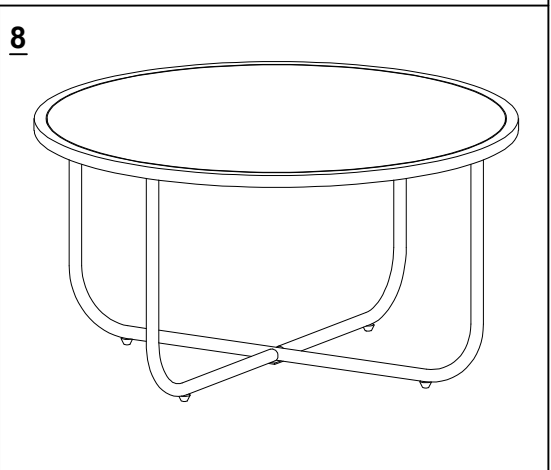
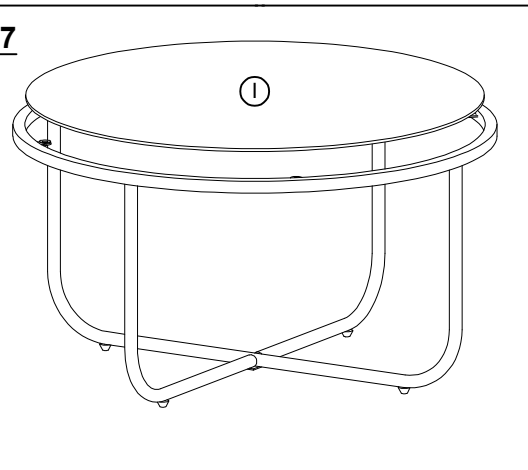
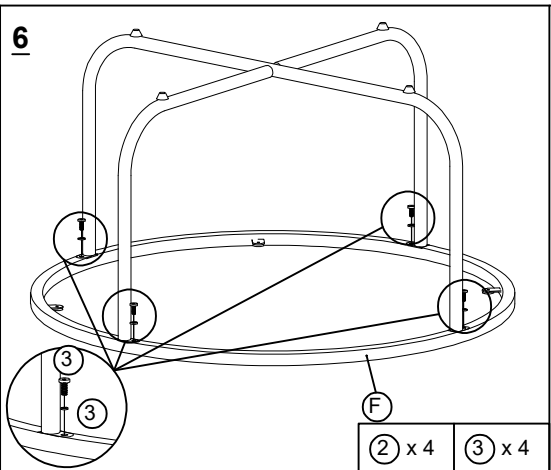
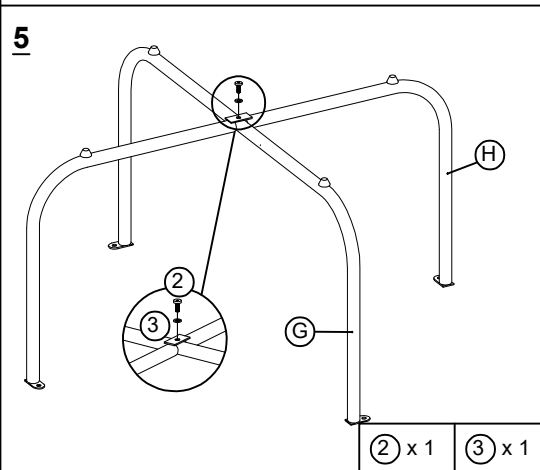


# 20140227/01

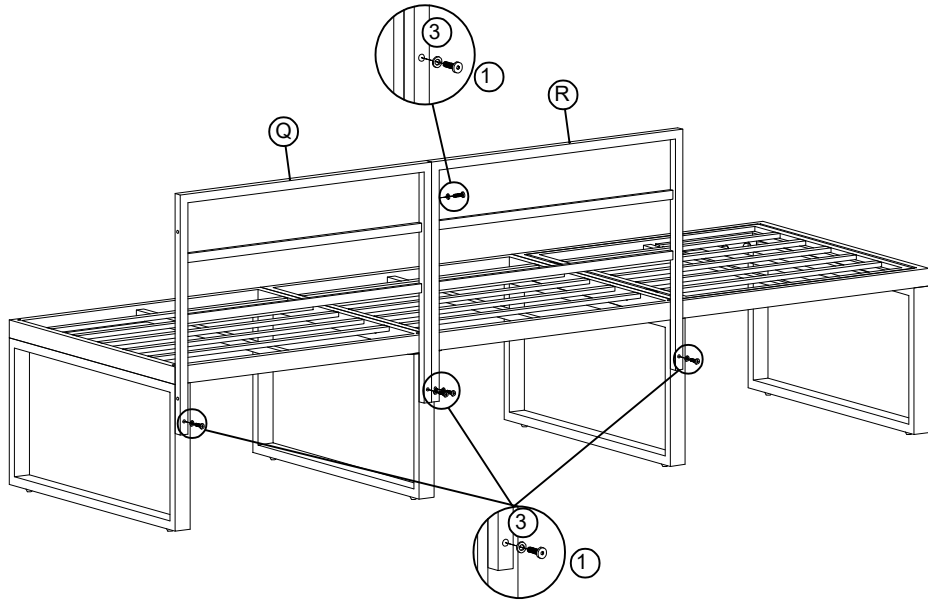
 A x1	 B x1	 C x1	 D x1	 E x1	 F x1	 G x1	 H x1	 I x1	 J x1	 K x2	 L x1
 M x1	 N x1	 O x1	 P x1	 Q x1	 R x1	 S x1	 T x1	 U x1	 V x1	 W x3	 X x2
 Y x1	 1 x 25 M6x35 mm	 2 x 23 M6x15 mm	 3 x 48	 4 x 1							



# 20140227/01

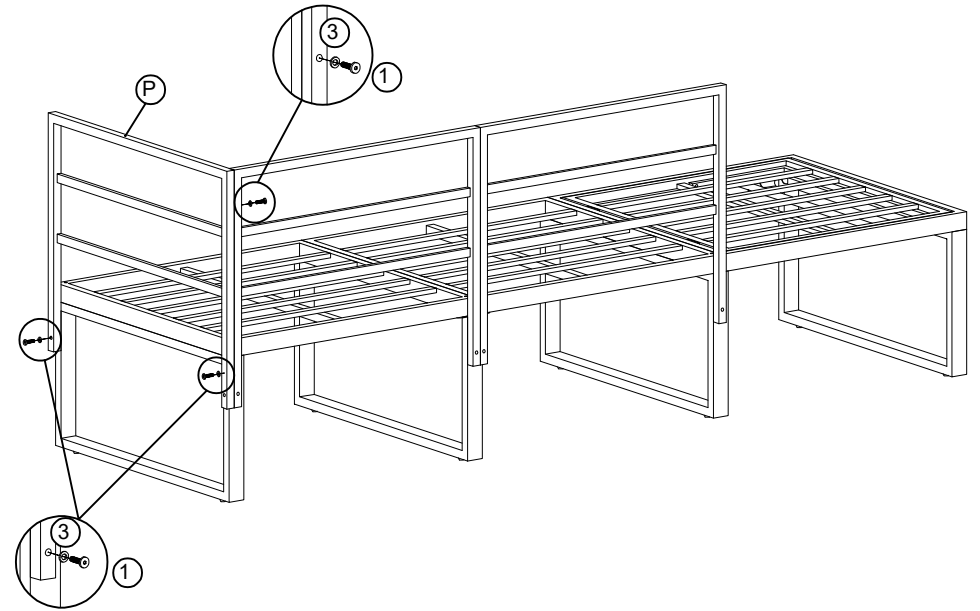


13



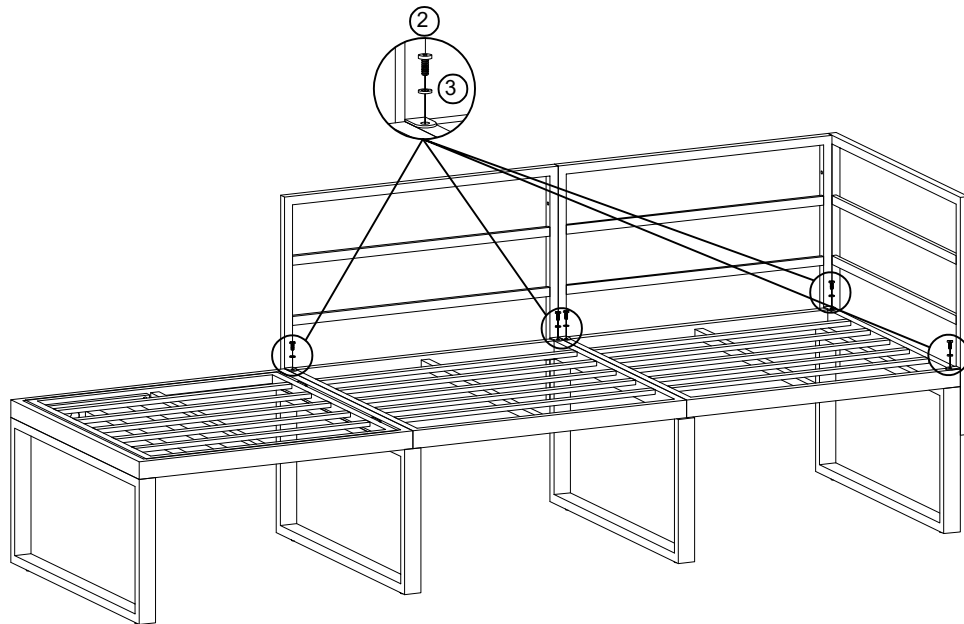
① x 5    ③ x 5

14



① x 3    ③ x 3

15



② x 5    ③ x 5

16

