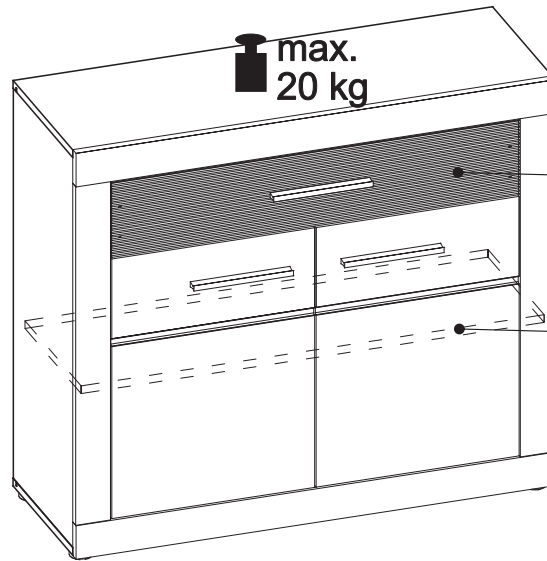
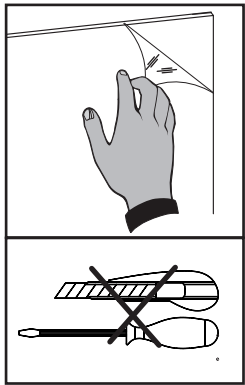
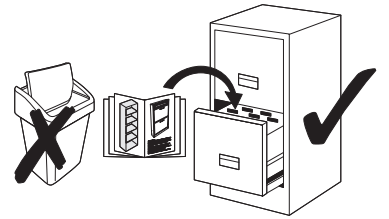
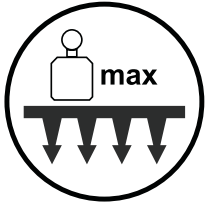


1803

MALTA MYK13



max.
3 kg

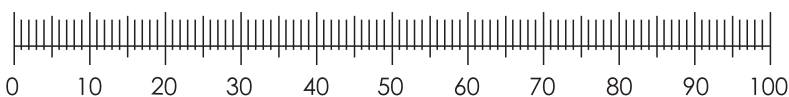
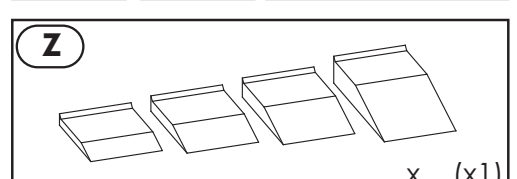
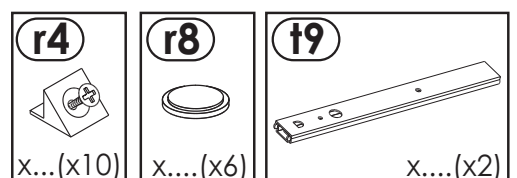
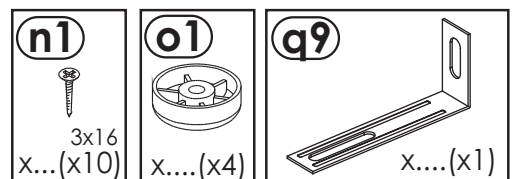
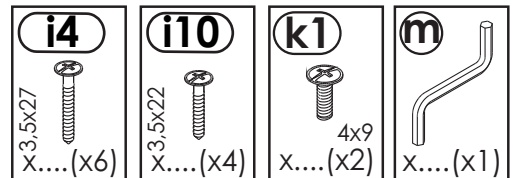
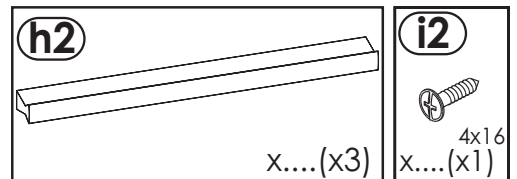
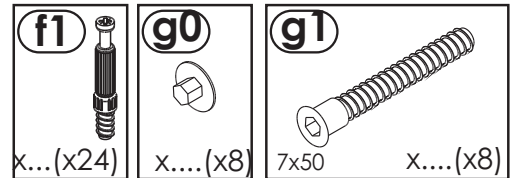
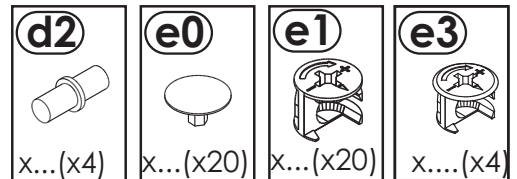
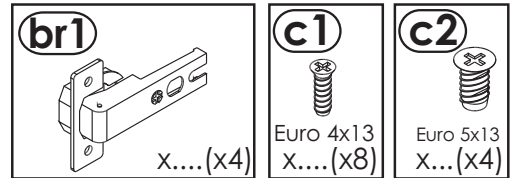
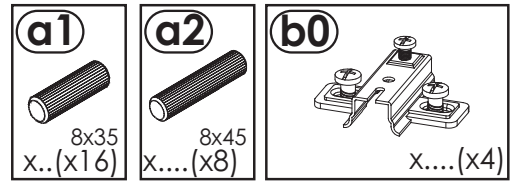
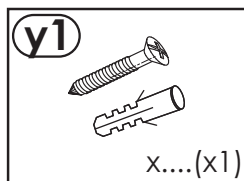
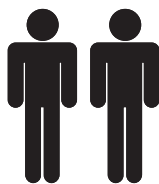
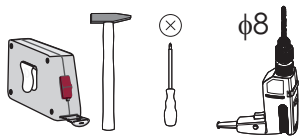
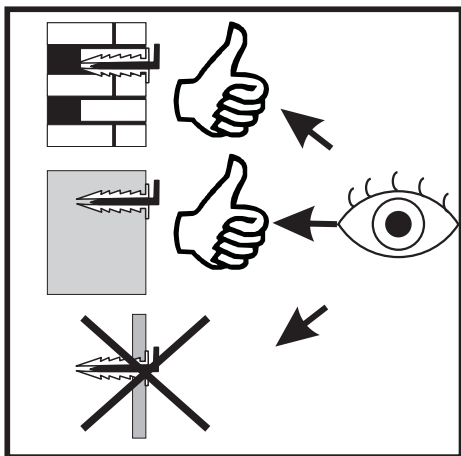
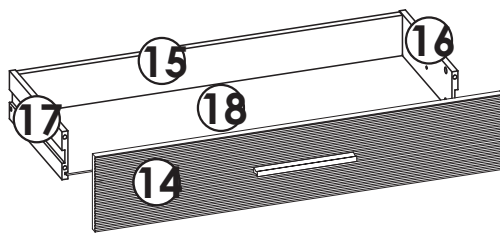
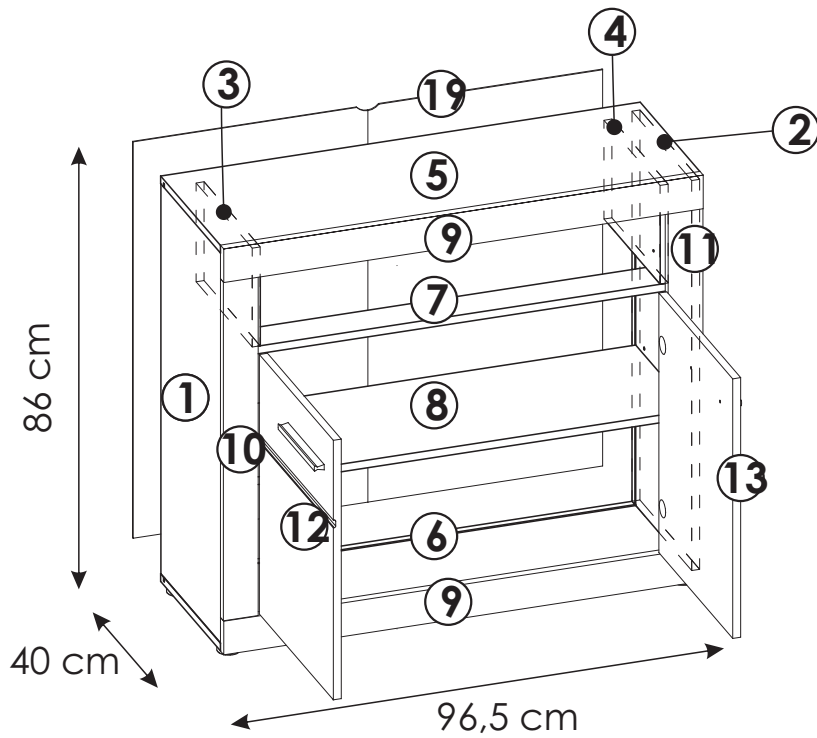
max.
5 kg

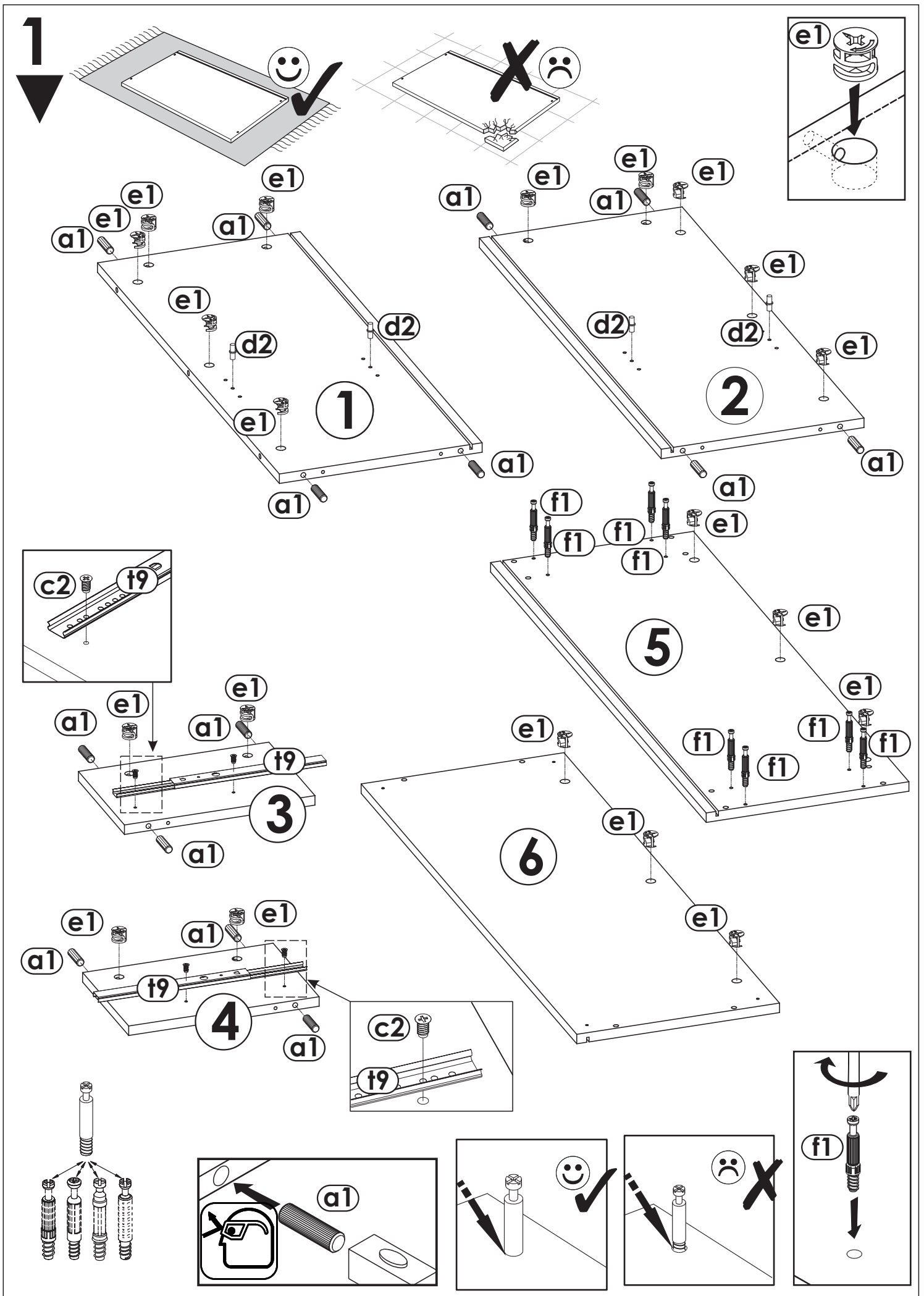
- | | | | |
|--------|--------|--------|--------|
| ① - C2 | ⑥ - C2 | ⑪ - C1 | ⑯ - C1 |
| ② - C2 | ⑦ - C1 | ⑫ - C1 | ⑰ - C1 |
| ③ - C1 | ⑧ - C2 | ⑬ - C1 | ⑱ - C1 |
| ④ - C1 | ⑨ - C1 | ⑭ - C1 | ⑲ - C1 |
| ⑤ - C1 | ⑩ - C1 | ⑮ - C1 | |

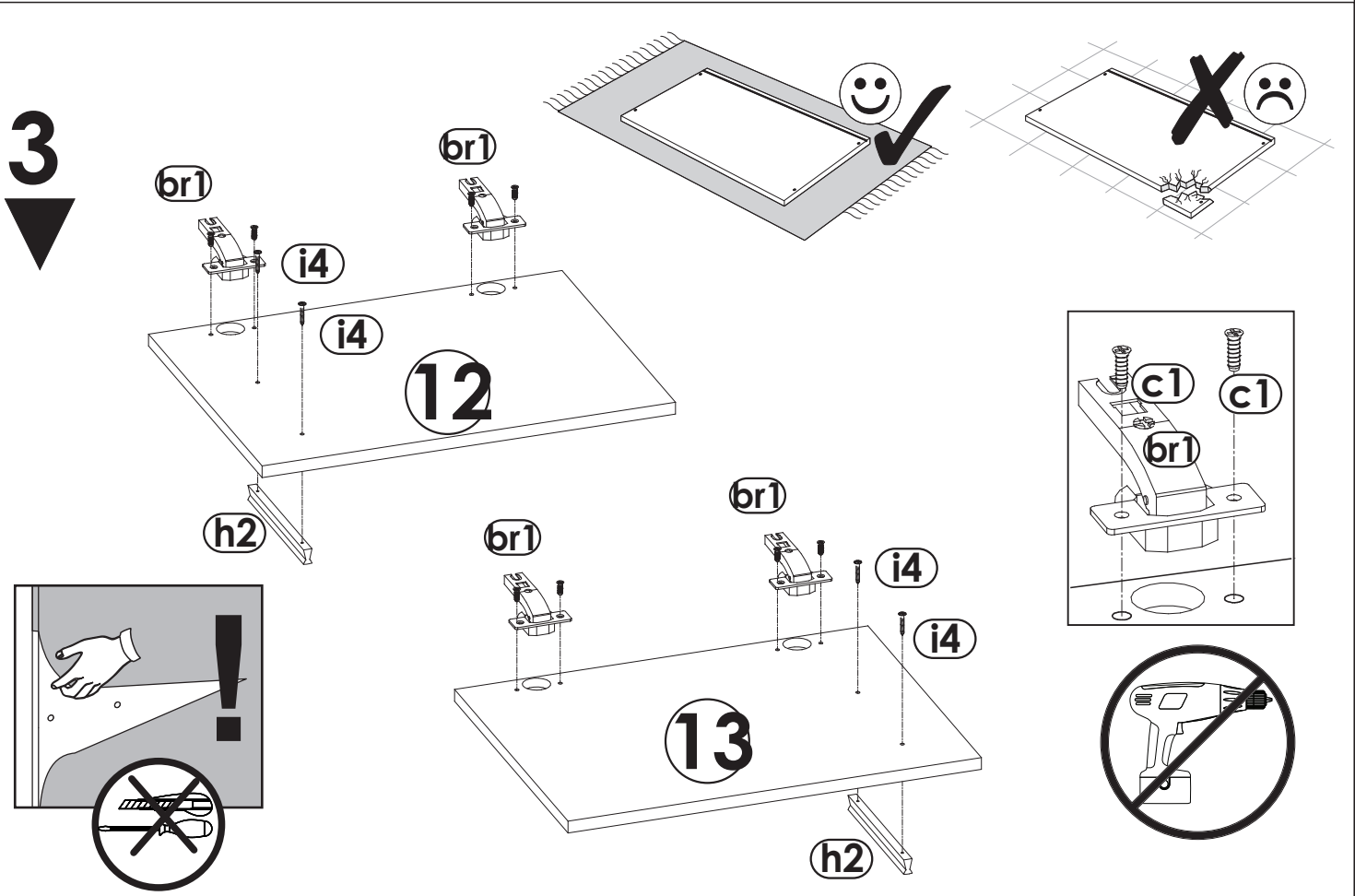
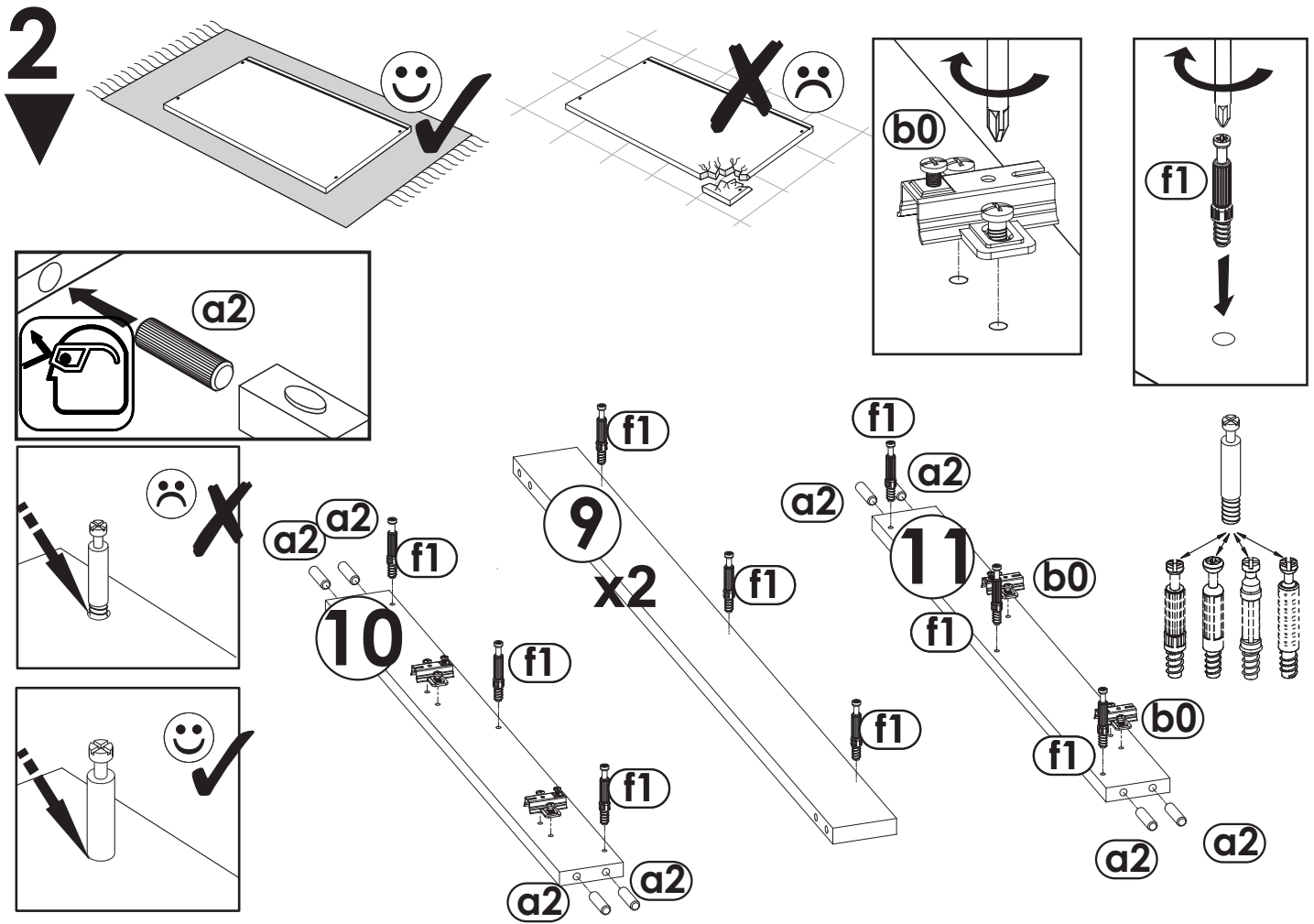
C1 

C2 

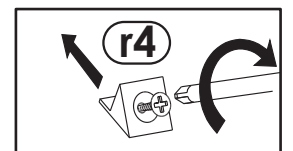
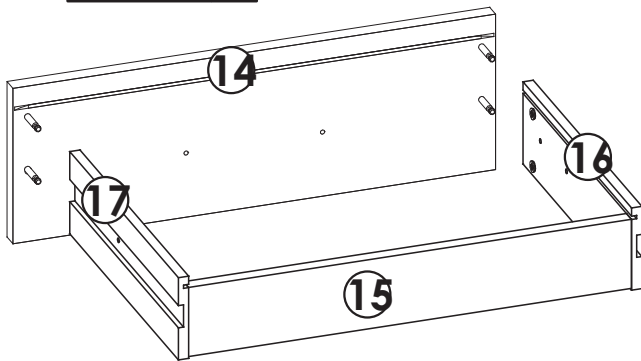
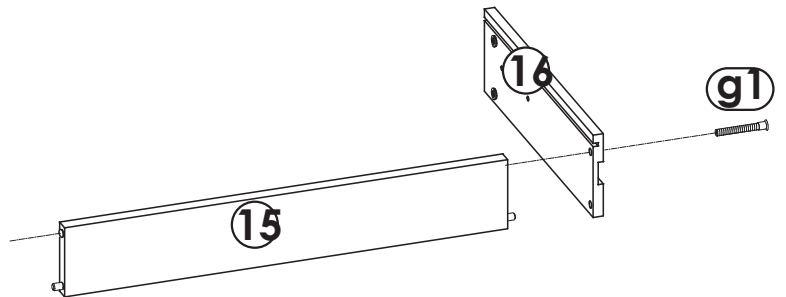
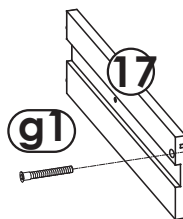
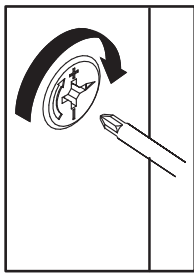
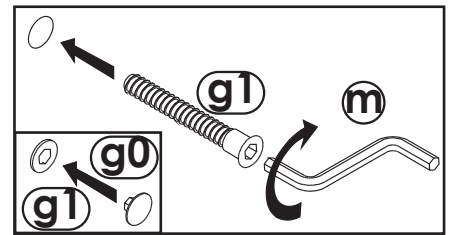
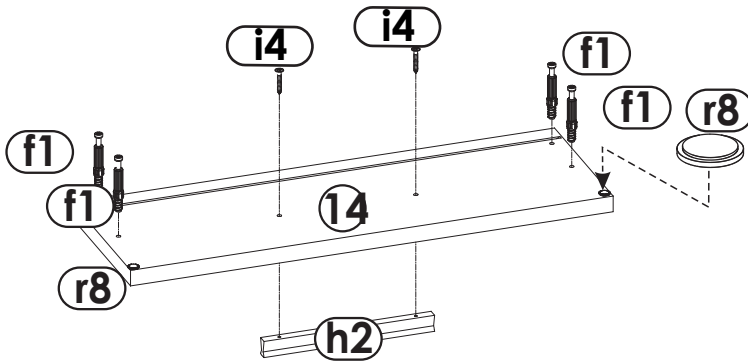
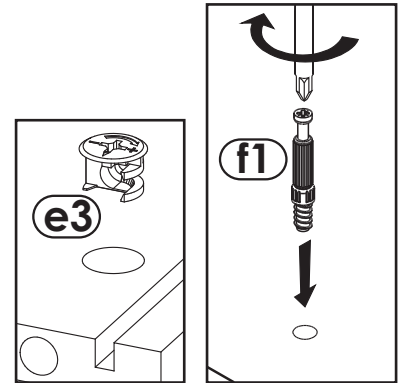
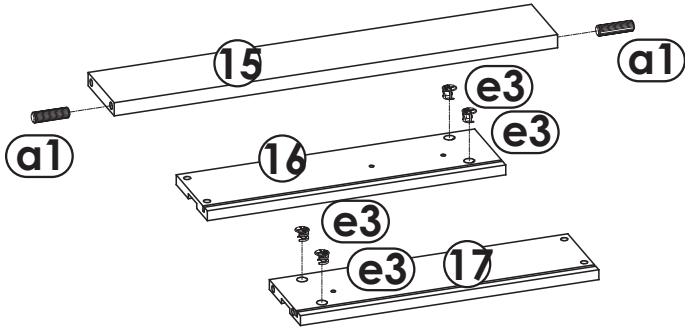
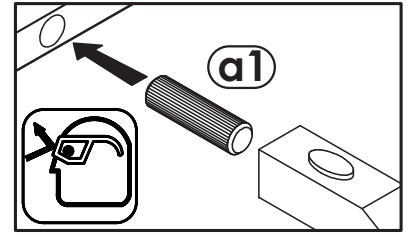
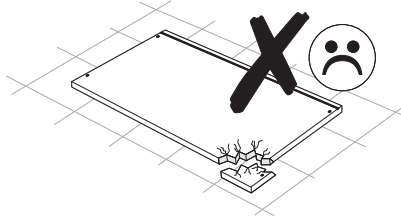
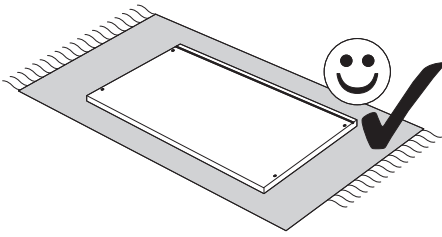
MALTA MYK13



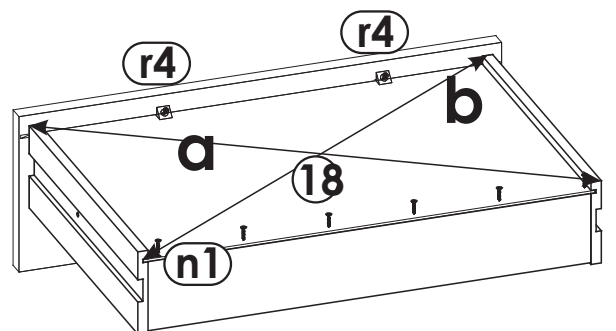




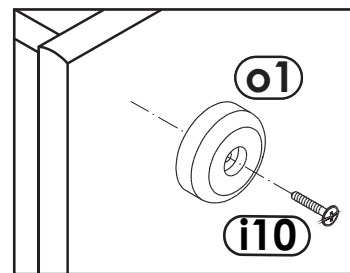
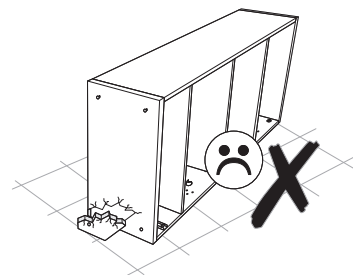
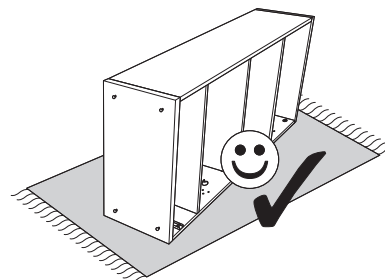
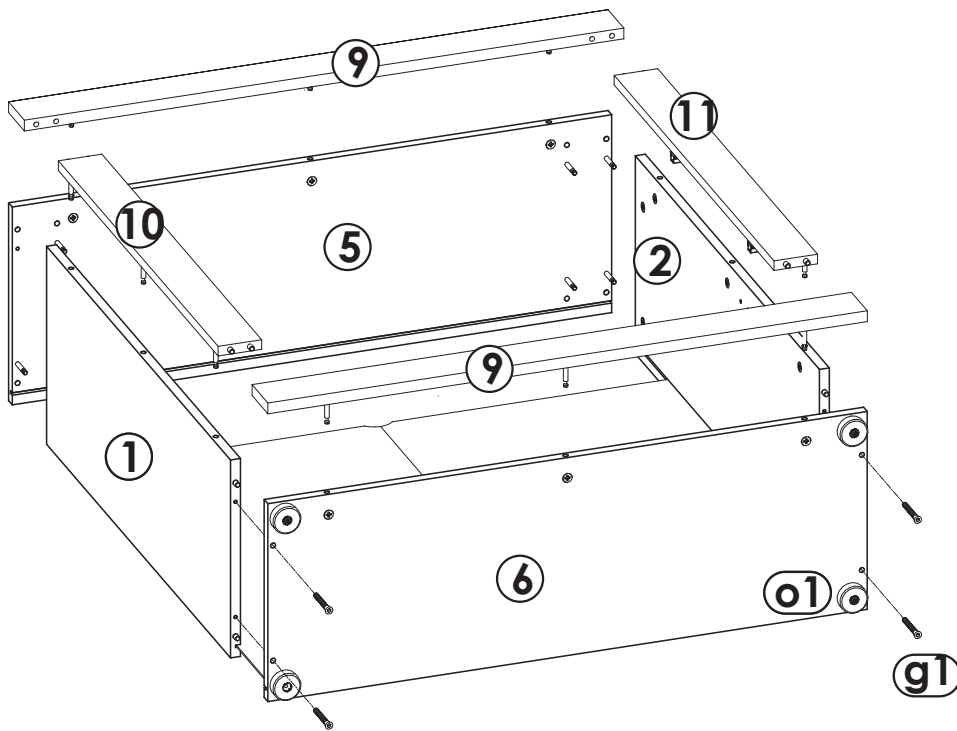
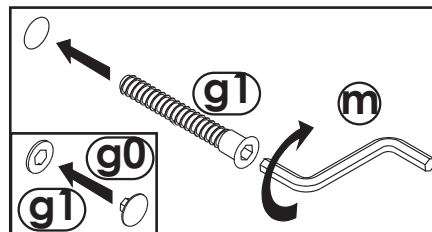
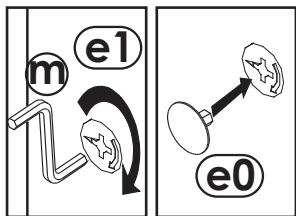
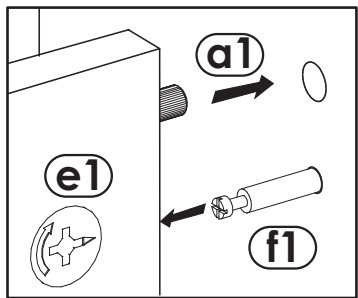
4



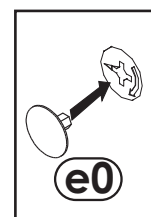
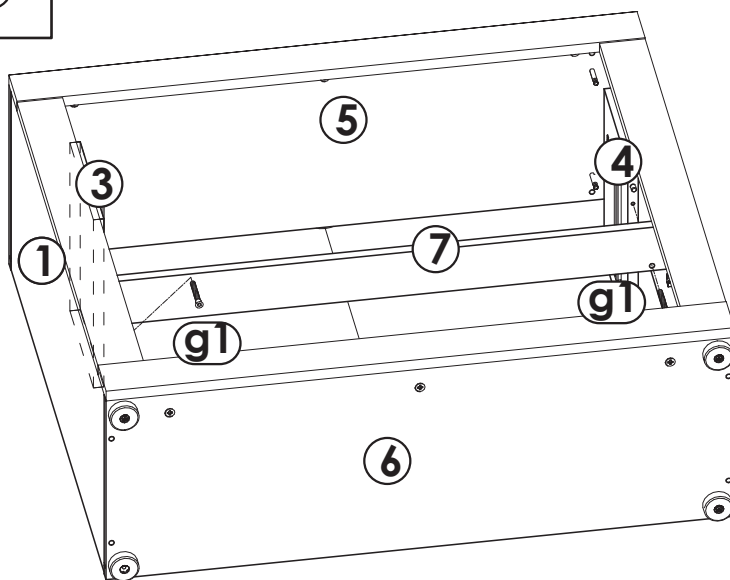
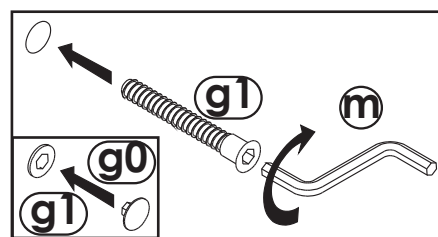
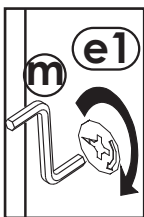
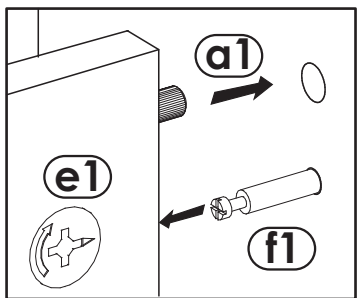
a=b



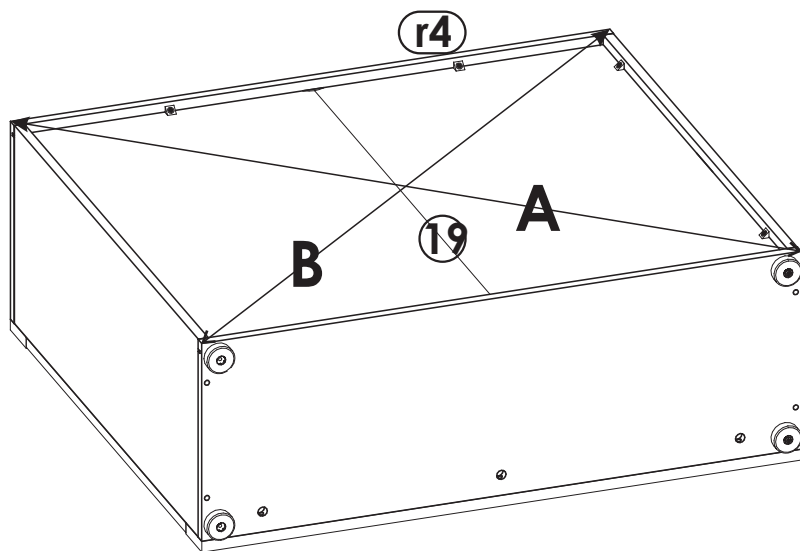
5



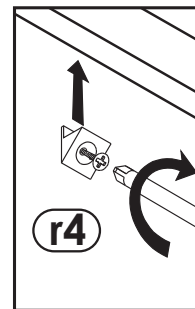
6



7



A=B



8

