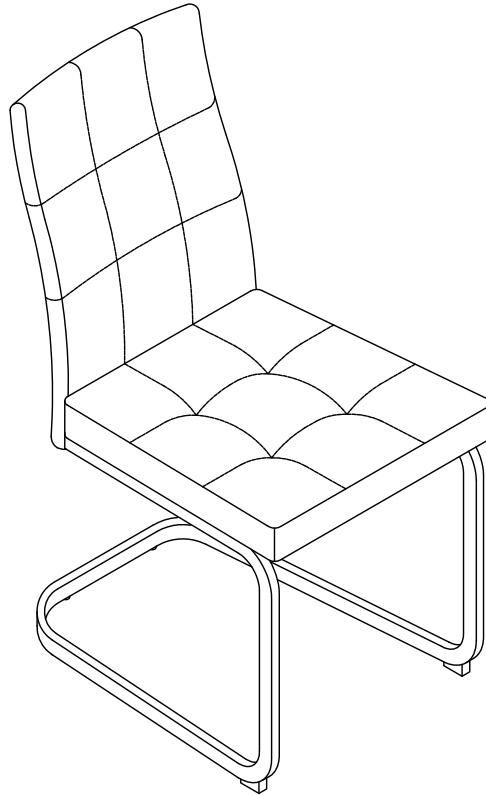
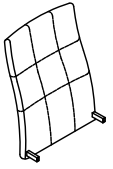
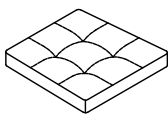
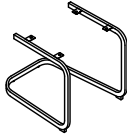


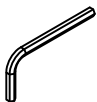


# 13360011/01/02/03/04

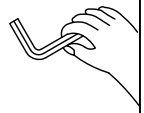
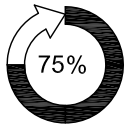
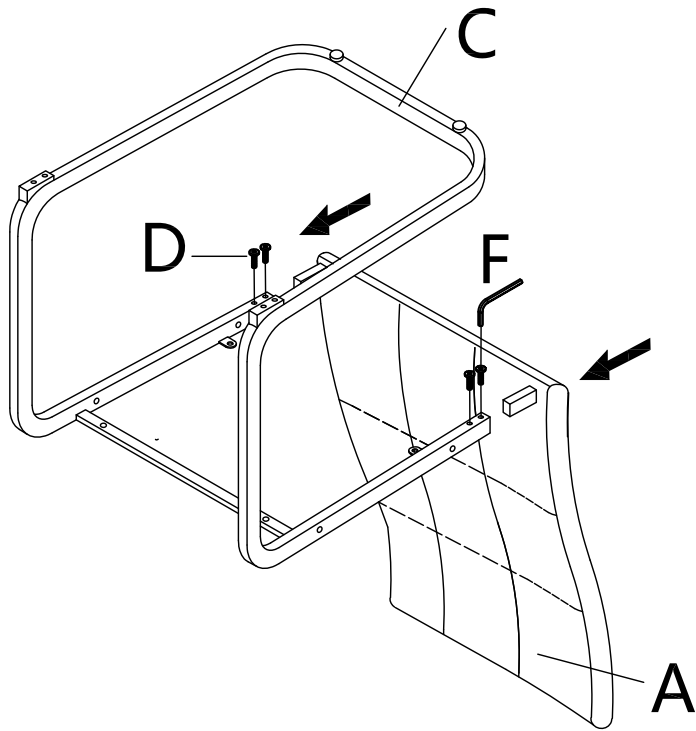
## RADAL

### Assembly instruction



A	1X	B	1X	C	2X	D	8X	E	4X
									
						M6*15mm		Φ16	
F	1X								
									
M4									

1



2

