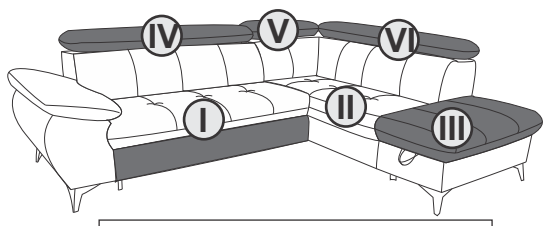
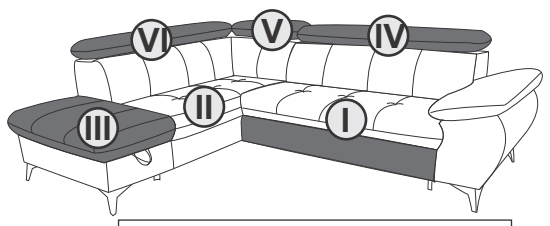


<b>2X</b>	<b>25 MIN</b>						
<b>MODEL "HUDSON"</b>							



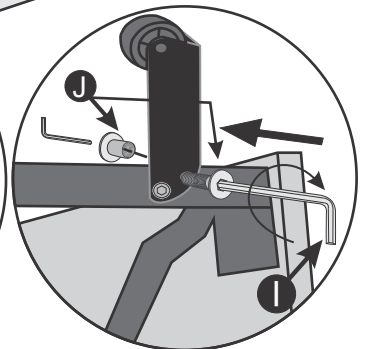
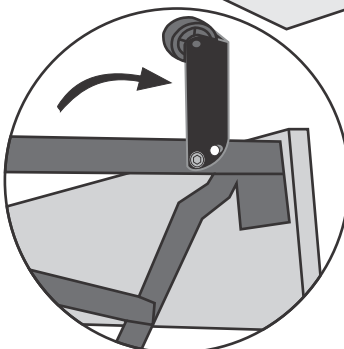
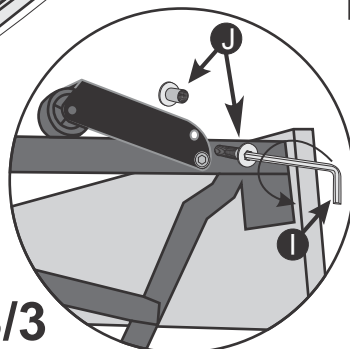
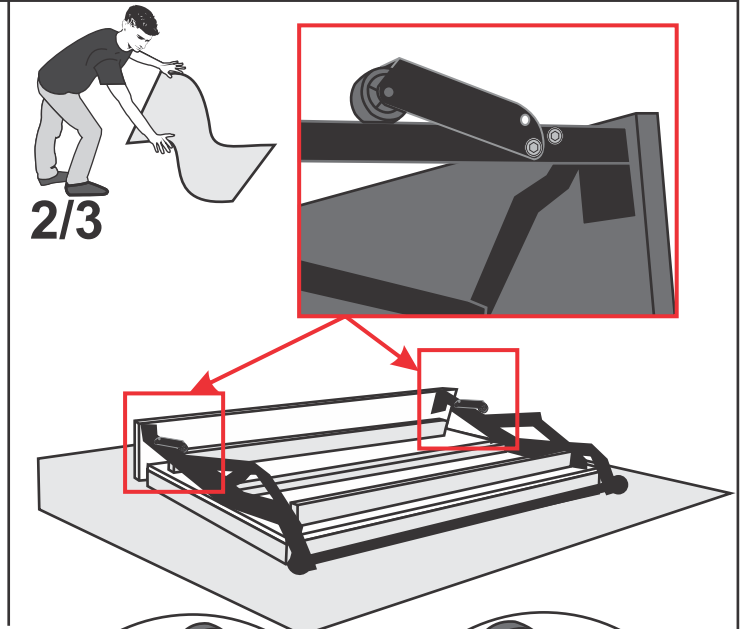
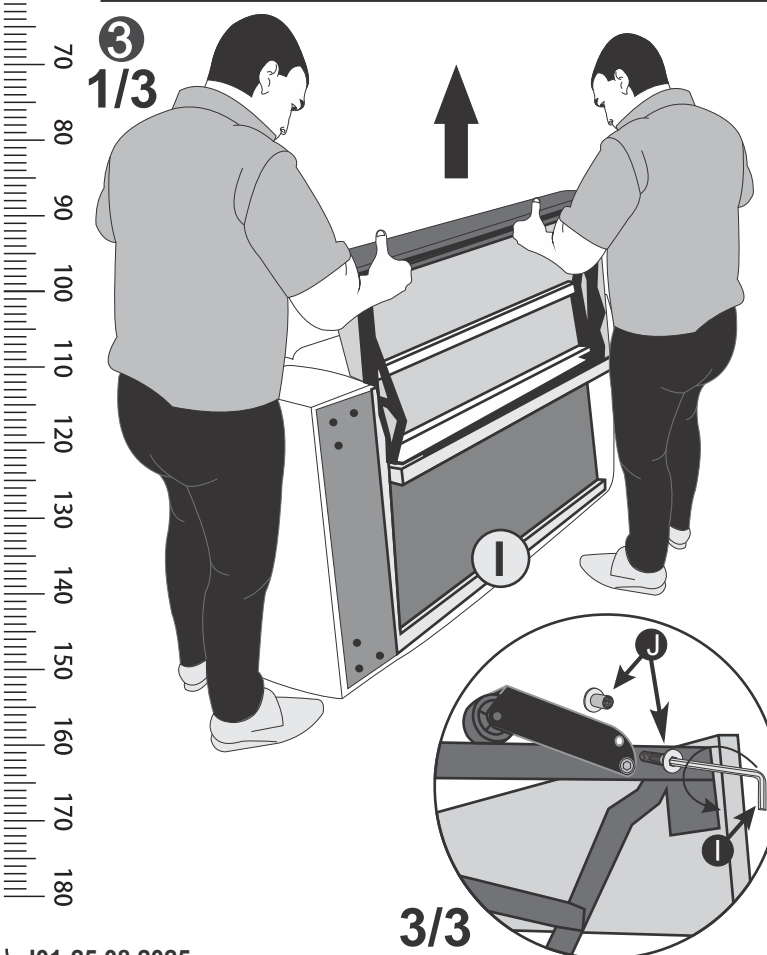
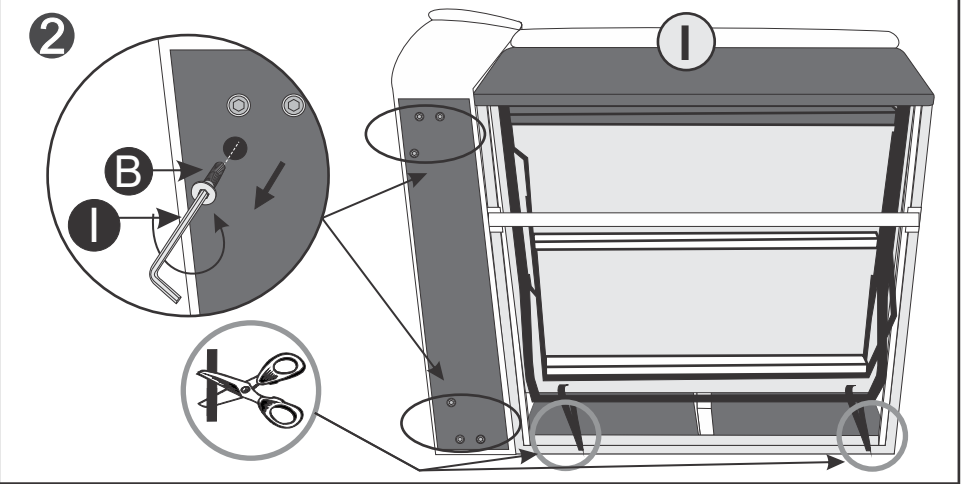
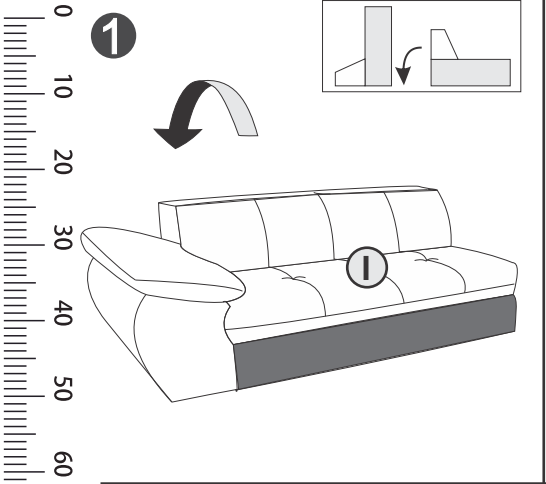
**2.5F-OTM/BK KLEIN**



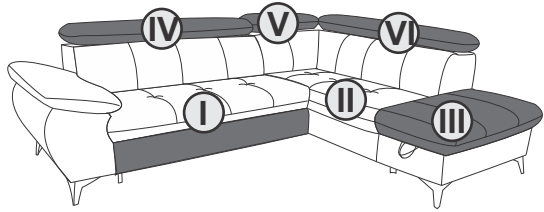
**OTM/BK KLEIN-2.5F**

1/4

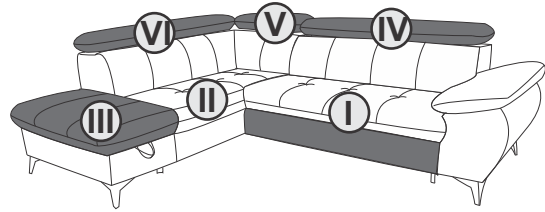
<b>A</b> SKILL H125 x5	<b>C</b> CILINDRIC H125 x3	<b>G</b> x3	<b>H</b> x1	<b>I</b> 6MM x2	<b>D</b> LG H45 x1	<b>B</b> 6X30 x15	<b>E</b> M8X60 x3	<b>F</b> x3	<b>J</b> x4
hardware bag/sachet materiel/zubehorbeutel/sachetti materiale/bolsa de materiales/worek materialowy					pre-assembled/ pre assemble/vormontiert/premontato/wstepnie/zamontowane				



<b>2X</b>	<b>25 MIN</b>							
<b>MODEL "HUDSON"</b>								



**2.5F-OTM/BK KLEIN**



**OTM/BK KLEIN-2.5F**

2/4

<b>A</b> SKILL H125 x5	<b>C</b> CILINDRIC H125 x3	<b>G</b> x3	<b>H</b> x1	<b>I</b> 6MM x2	<b>D</b> LG H45 x1	<b>B</b> 6X30 x15	<b>E</b> M8X60 x3	<b>F</b> x3	<b>J</b> x4
hardware bag/sachet materiel/zubehörbeutel/sachetti materiale/bolsa de materiales/worek materialowy						pre-assembled/ pre assemble/vormontiert/premontato/wstępnie zamontowane			

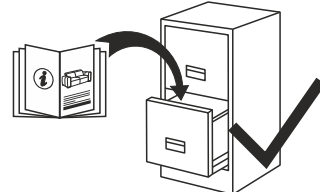
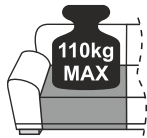
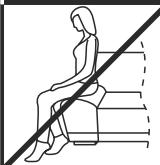
**4**

**5**

**6**

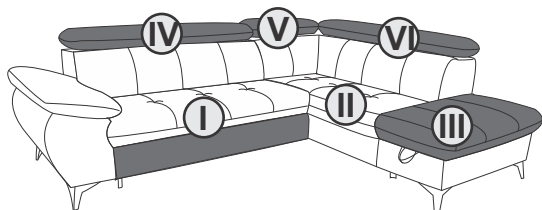
2X

25 MIN

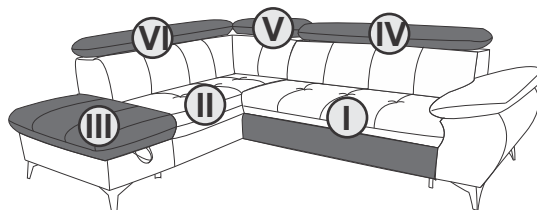


MODEL

“HUDSON”



2.5F-OTM/BK KLEIN



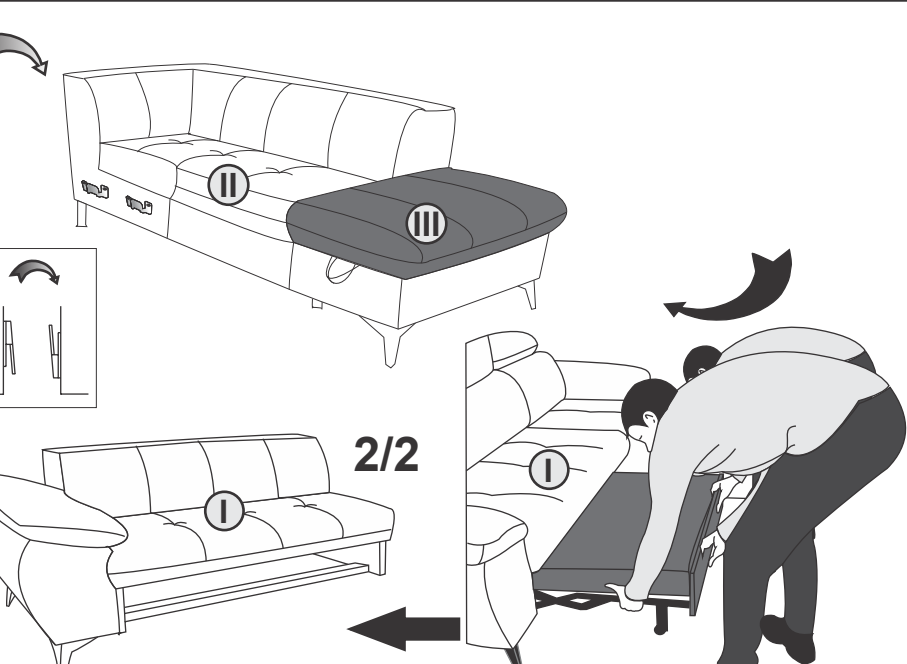
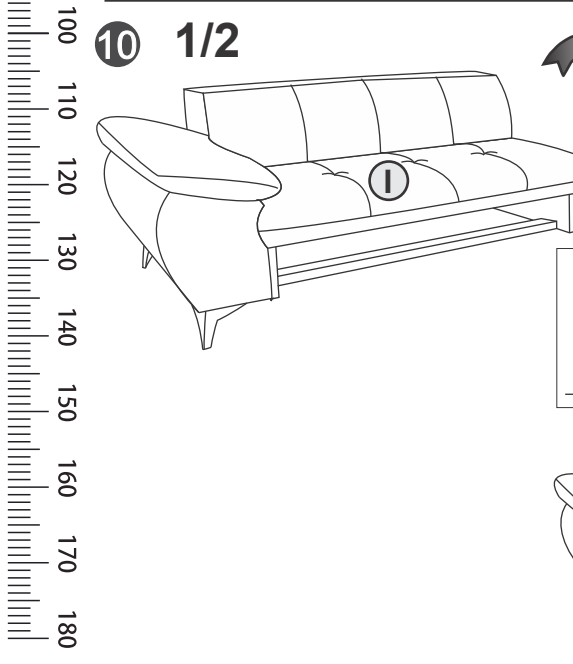
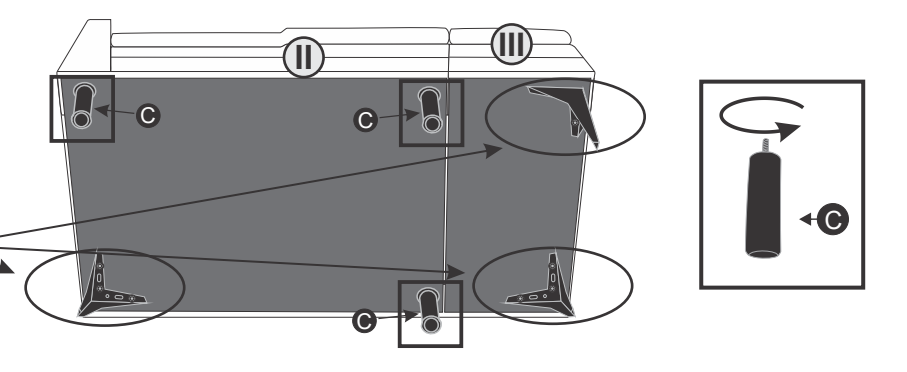
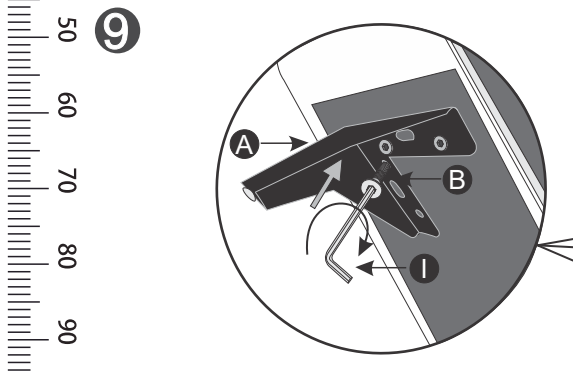
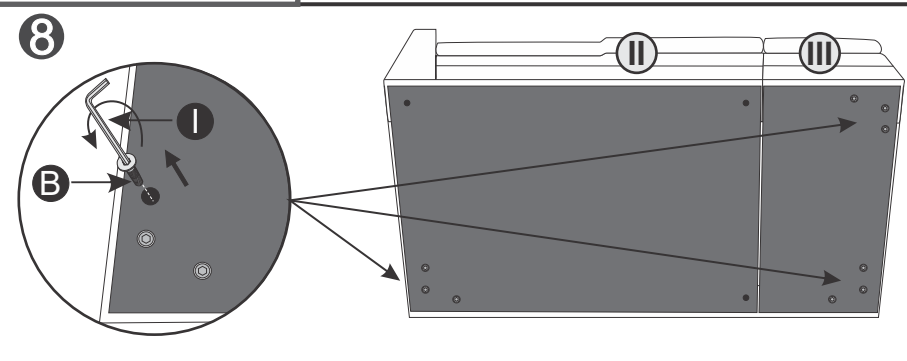
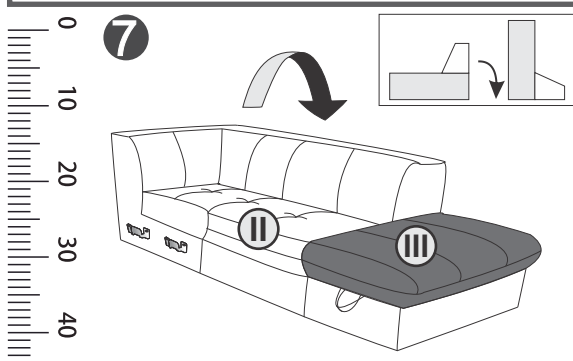
OTM/BK KLEIN-2.5F

3/4

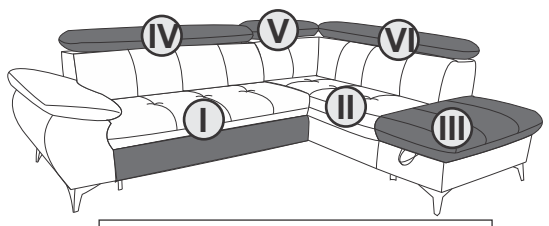


hardware bag/sachet materiel/zubehorbeutel/sachetti materiale/bolsa de materiales/worek materialowy

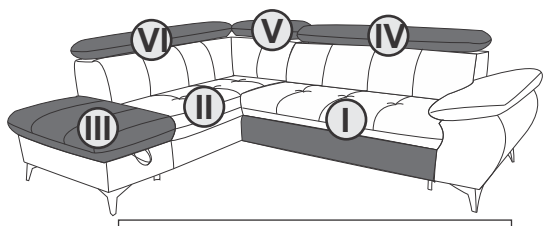
pre-assembled/ pre assemble/vormontiert/premontato/wstepnie/zamontowane



<b>2X</b>	<b>25 MIN</b>				
<b>MODEL "HUDSON"</b>					



**2.5F-OTM/BK KLEIN**



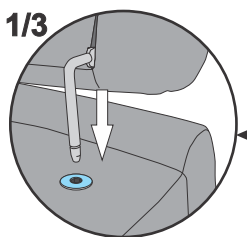
**OTM/BK KLEIN-2.5F**

4/4

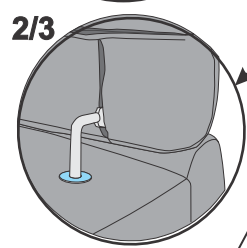
0  
10  
20  
30  
40  
50  
60  
70  
80  
90  
100  
110  
120  
130  
140  
150  
160  
170  
180

**11**

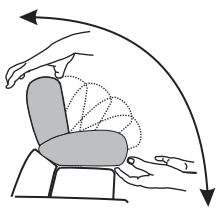
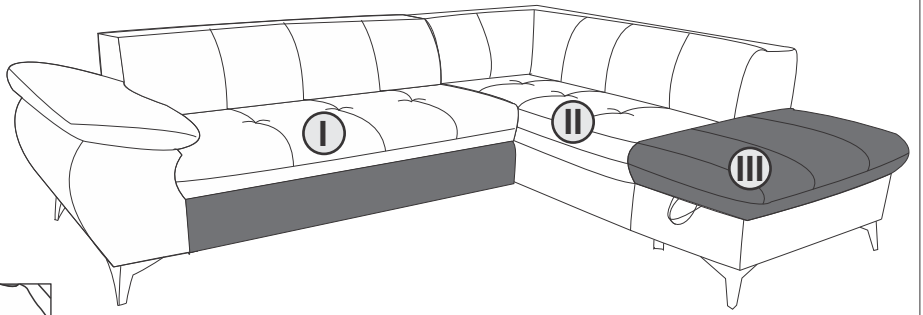
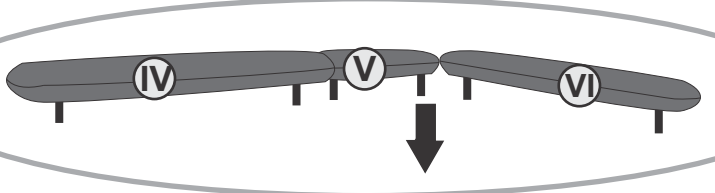
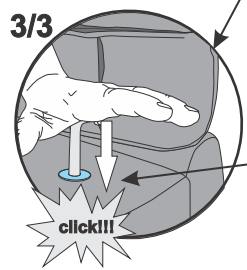
1/3



2/3



3/3



**12**

