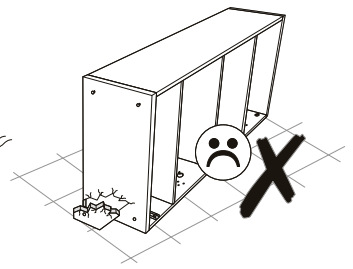
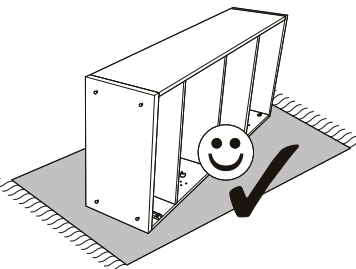
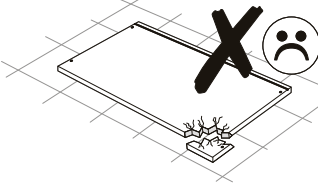
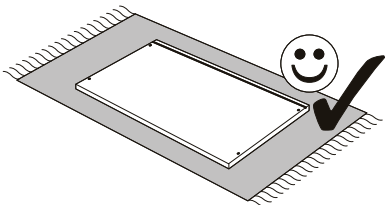
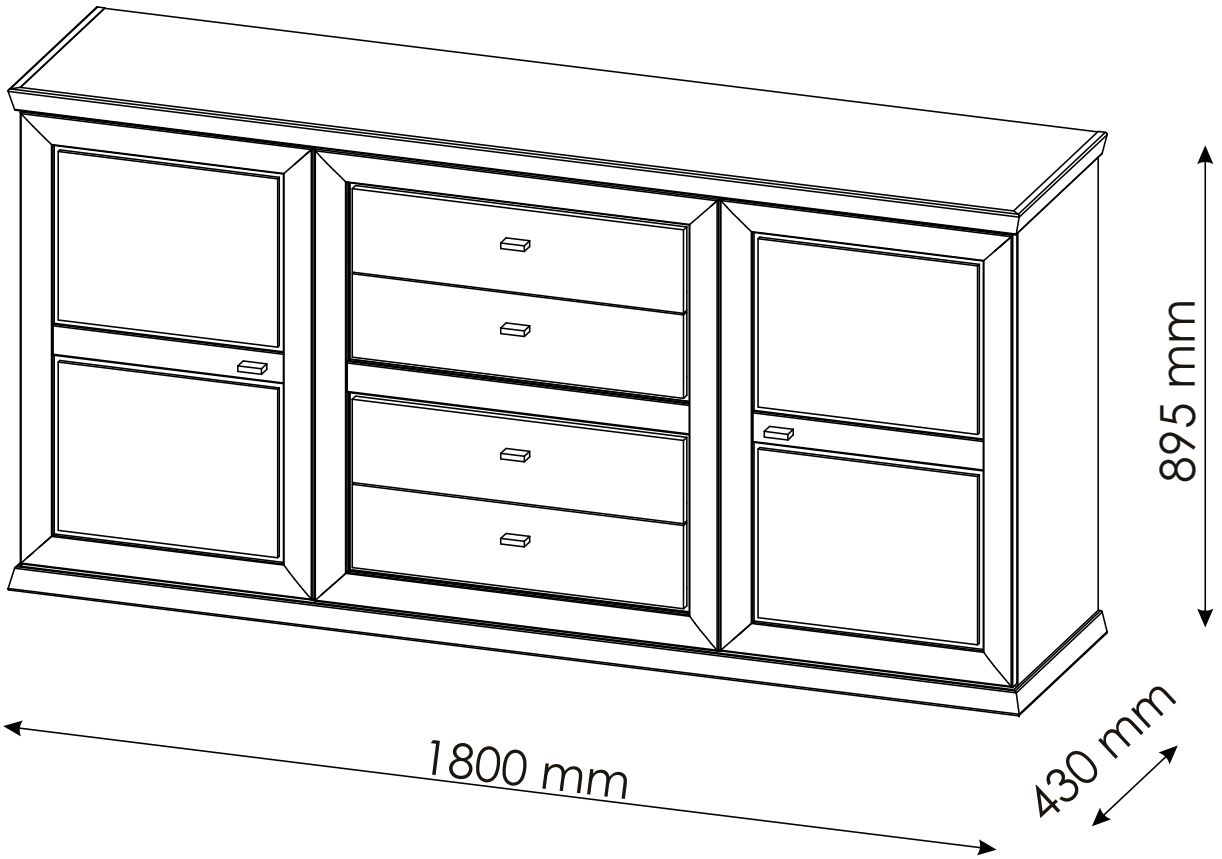
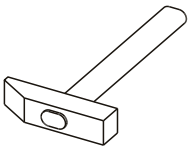
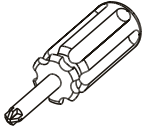
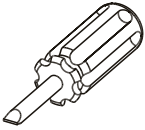
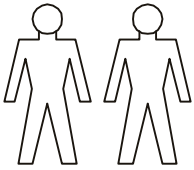
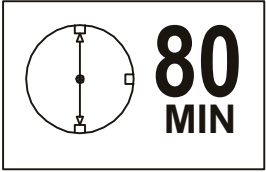

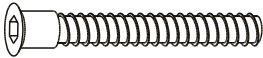







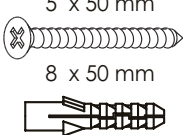

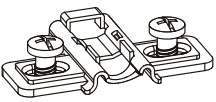
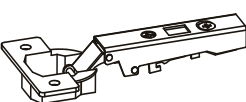



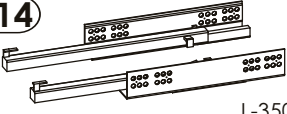
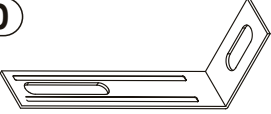
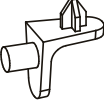



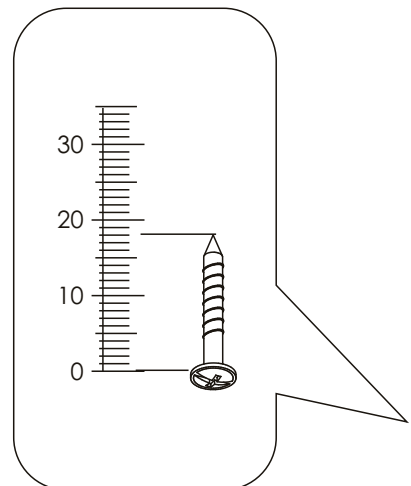
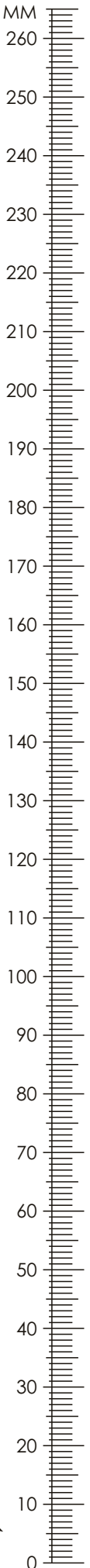


HARVEY - SIDEBOARD 180




HARVEY - SIDEBOARD 180

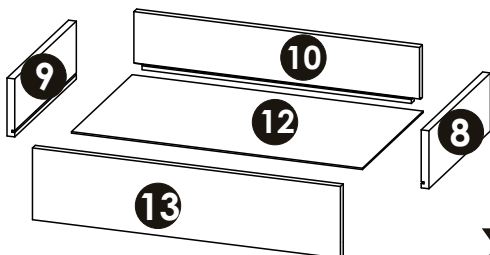
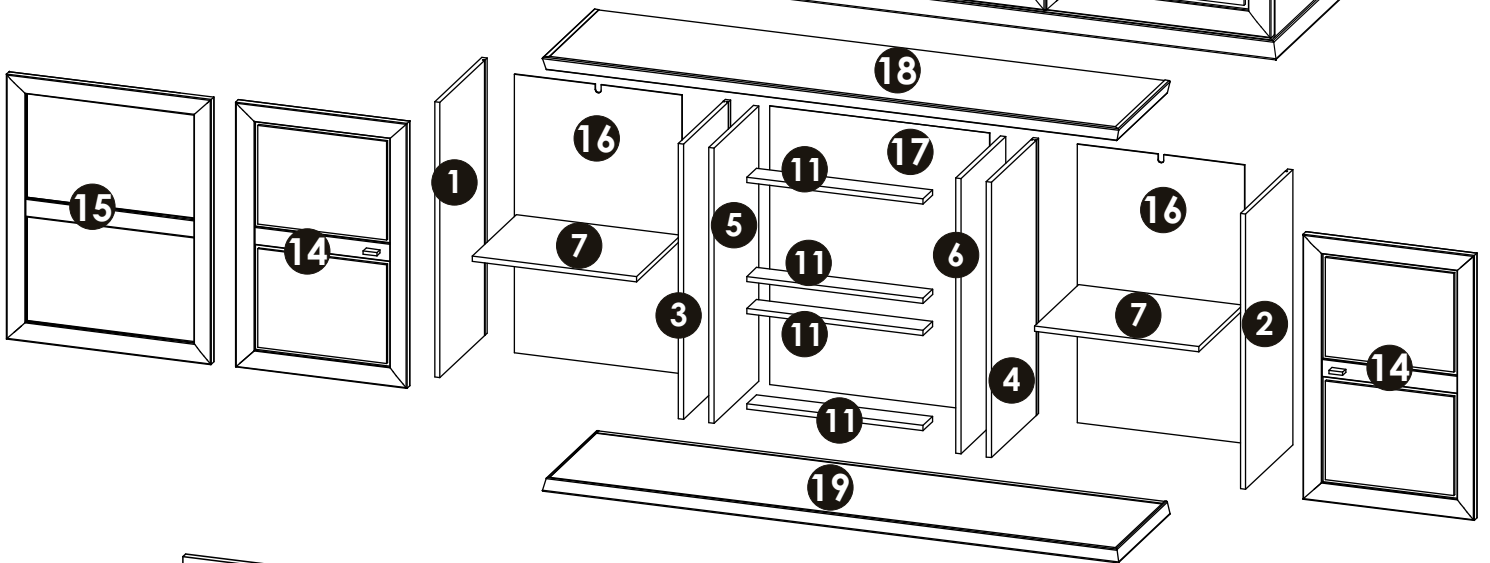
A0 8 x 30mm x56 	B1 f 7 x 50 mm x20 	C0 x32 
C2 x36 	C7 x36  16mm	D0 3 x 15 mm x46 
D10 4 x 16 mm x8 	D21 5 x 13 mm x2 	D31 6,3 x 13 mm x32 
E0 5 x 50 mm x2 8 x 50 mm 	H2 4 x 22 mm x12 	J3 x4 
J10 x4 	K x1 4mm 	L6 x6 
M1 x46 	N14 x4  L-350mm	P0 x2 
Q3 x8 	U0 x12 	U2 x8 
U3 x12 		



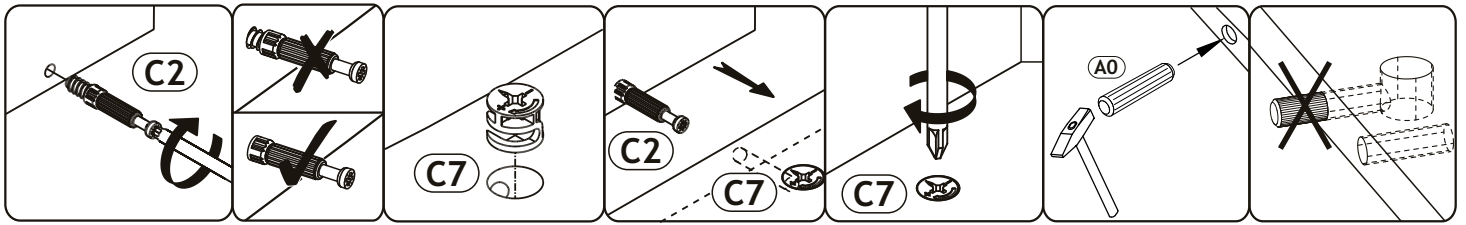
HARVEY - SIDEBOARD 180

1	837	393	16 x1	1/4
2	837	393	16 x1	1/4
3	837	393	16 x1	1/4
4	837	393	16 x1	1/4
5	837	373	16 x1	1/4
6	837	373	16 x1	1/4
7	499	368	16 x2	2/4
8	350	120	16 x4	2/4
9	350	120	16 x4	2/4
10	544	118	16 x4	2/4

11	584	80	16 x4	2/4
12	554	344	2,8 x4	2/4
13	590	148.5	16 x4	3/4
14	805	521	25 x2	3/4
15	805	720	25 x1	3/4
16	847	509	2,8 x2	3/4
17	847	718	2,8 x1	3/4
18	1802	430	40 x1	4/4
19	1802	430	40 x1	4/4
				2/4

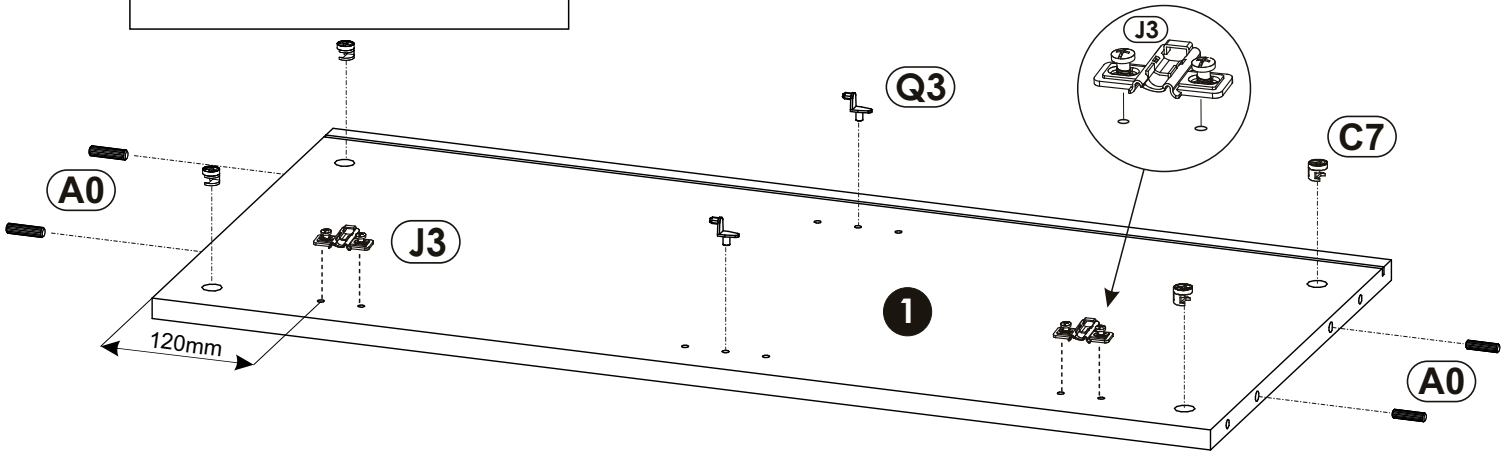


x4



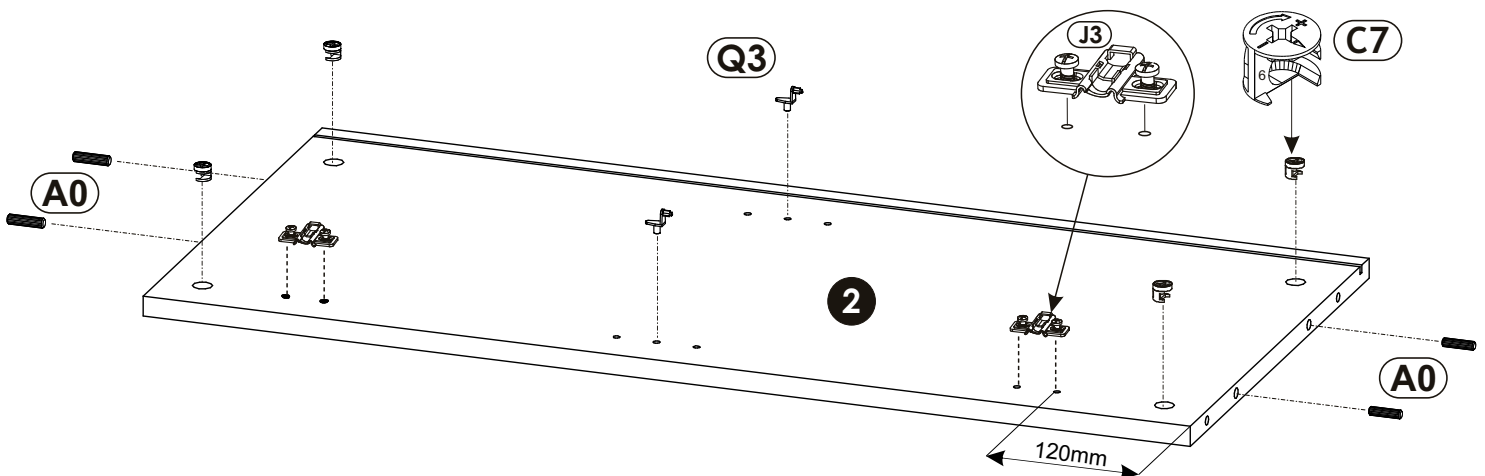
1 ▶

A0	8 x 30mm	x4	C7	16mm	x4	J3	x2
Q3		x2					


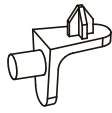



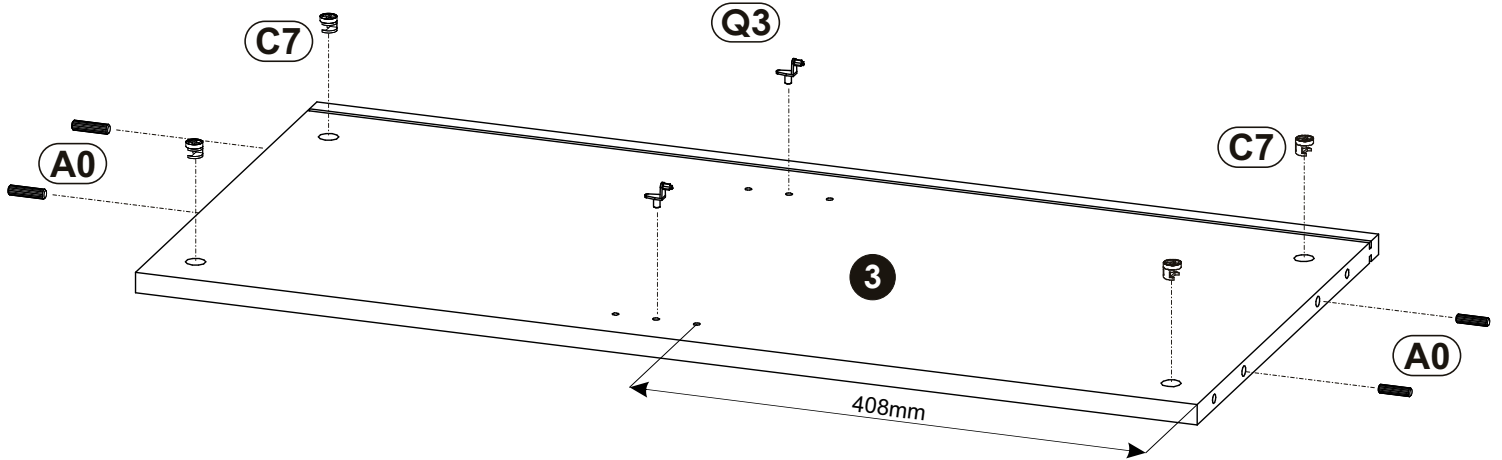
2 ▶

A0	8 x 30mm	x4	C7	16mm	x4	J3	x2
Q3		x2					


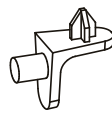



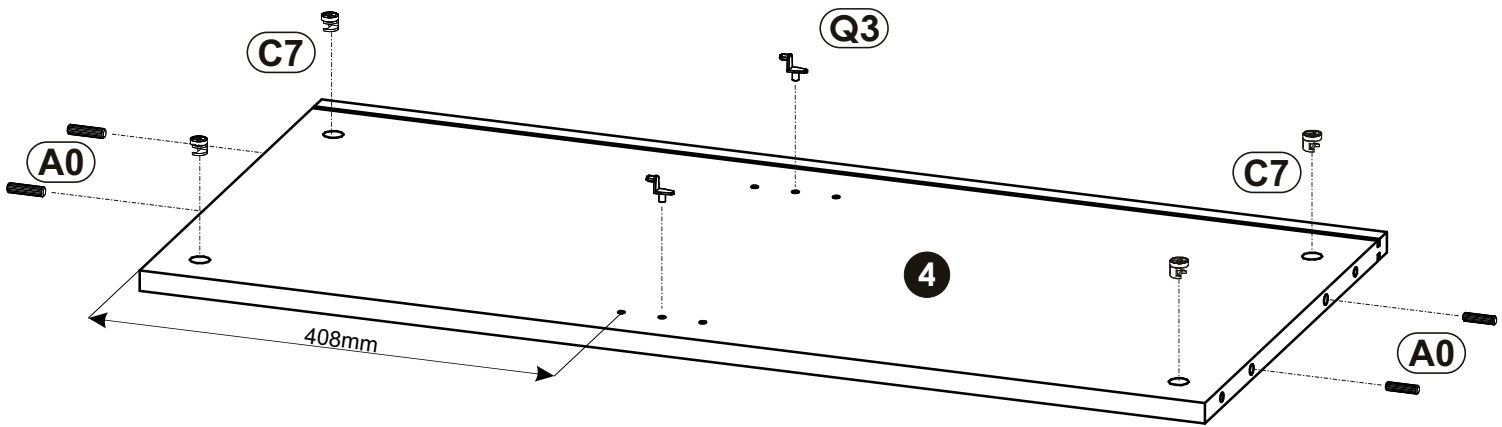
3 ▶

A0	8 x 30mm	x4	C7		x4	Q3		x2
		16mm						




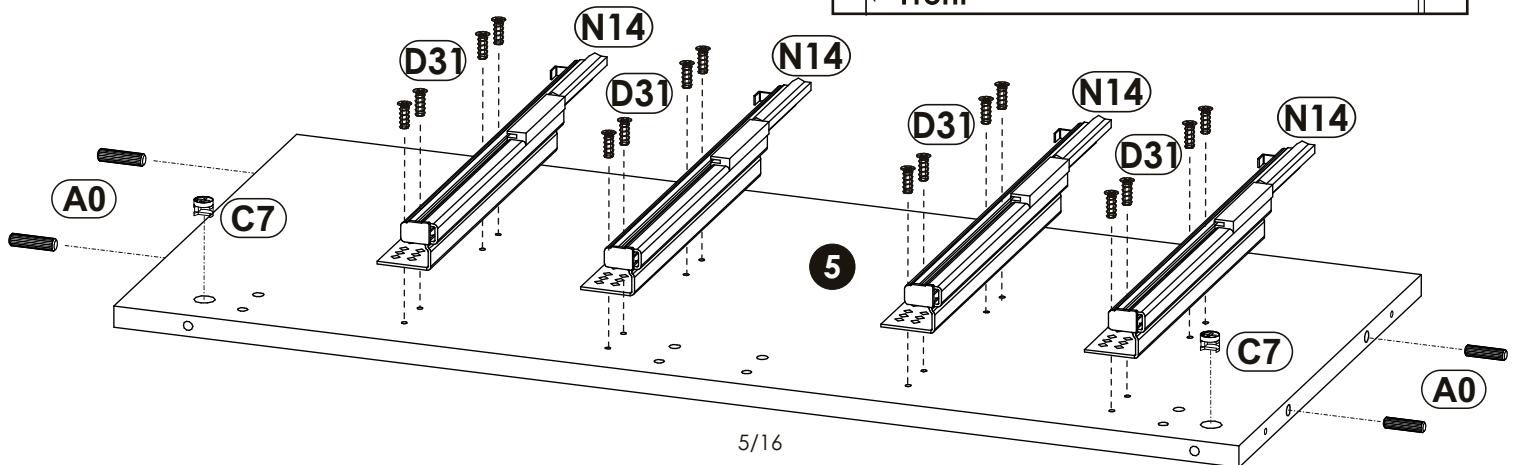
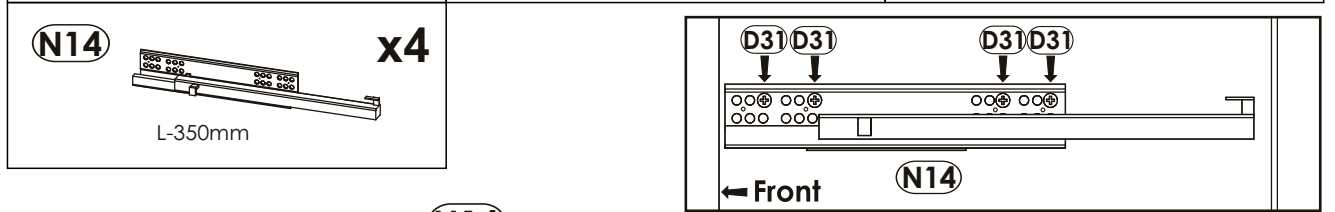
4 ▶

A0	8 x 30mm	x4	C7		x4	Q3		x2
		16mm						




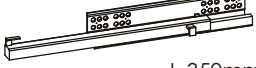
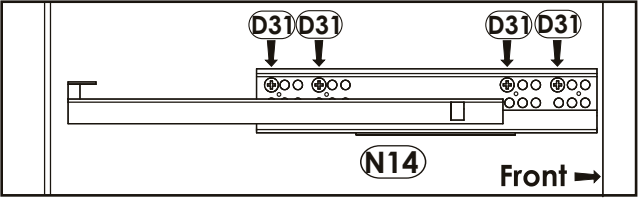


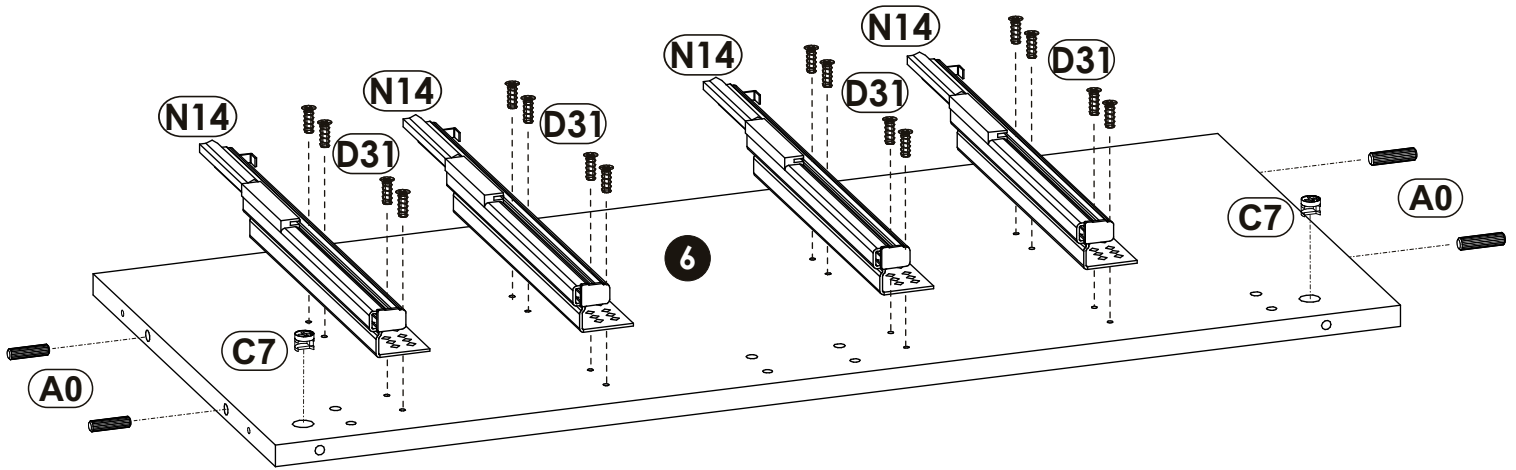
5 ▶

A0	8 x 30mm	x4	C7		x2	D31	6,3 x 13 mm	x16
		16mm						



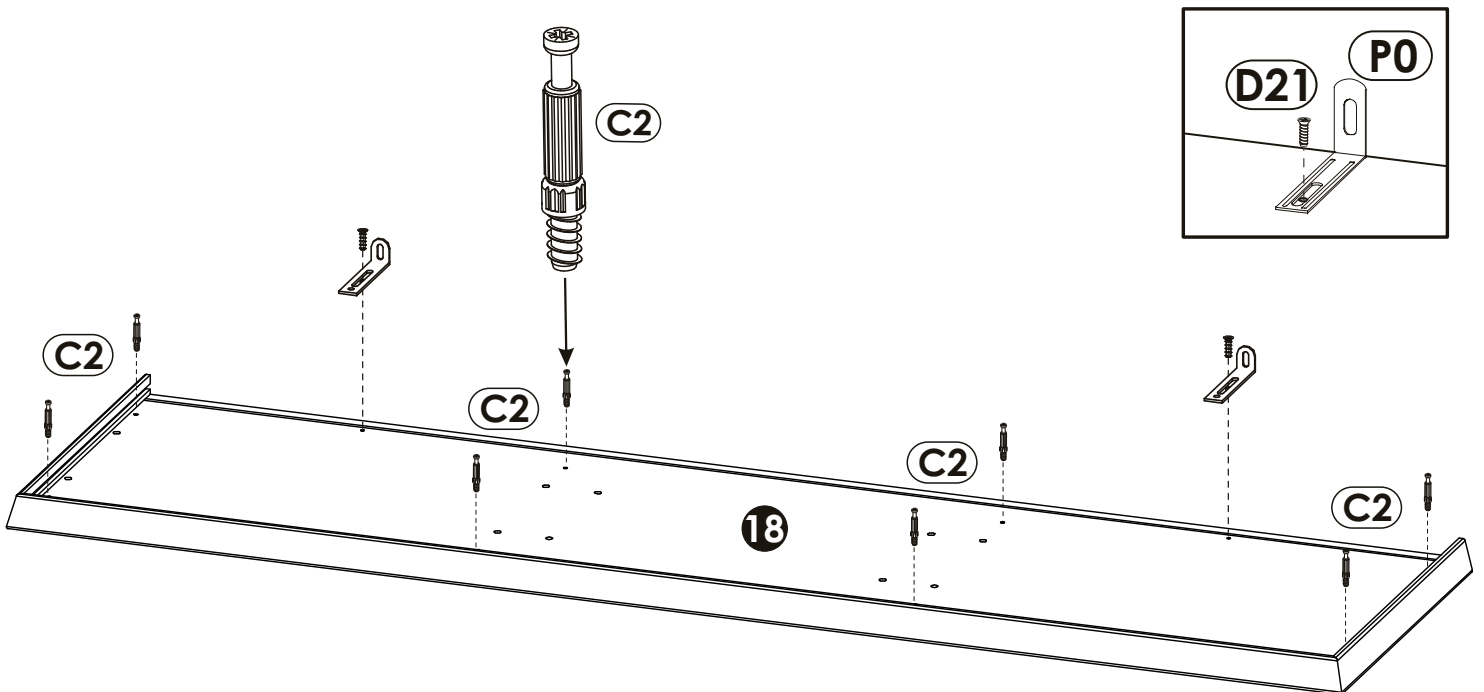
6 ▶

A0 8 x 30mm  x4	C7 16mm  x2	D31 6,3 x 13 mm  x16
N14  L-350mm x4	 N14 Front →	

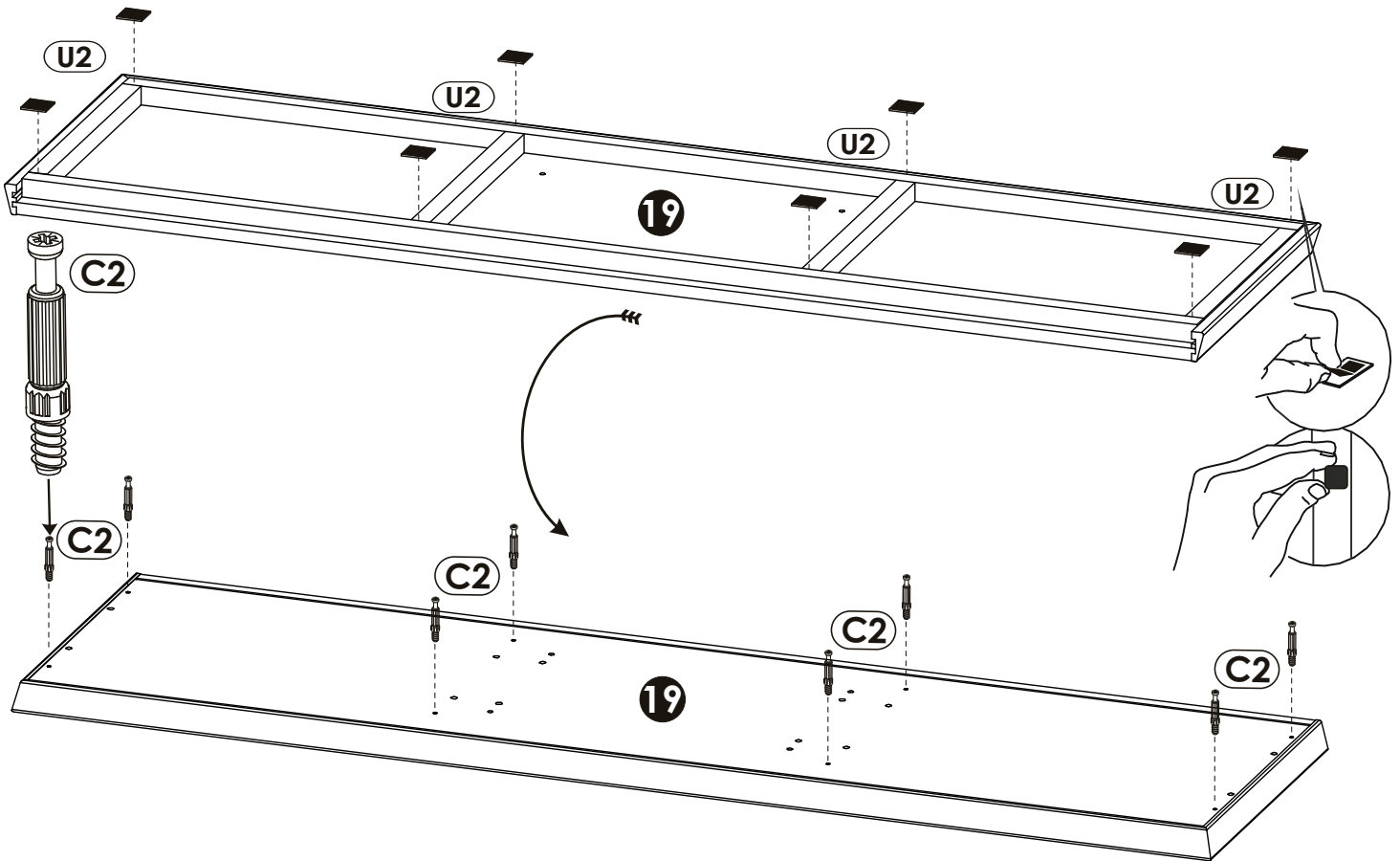
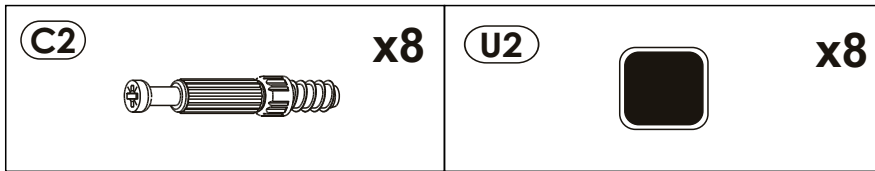


7 ▶

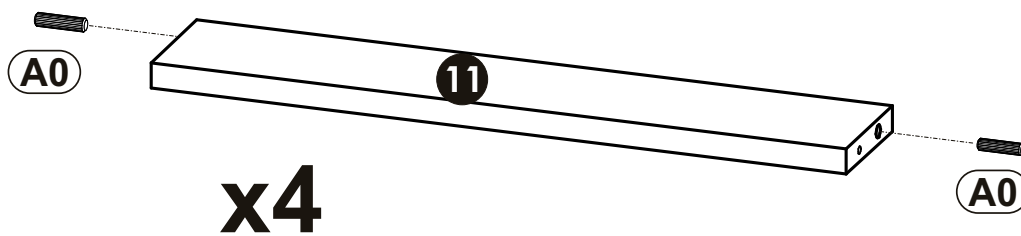
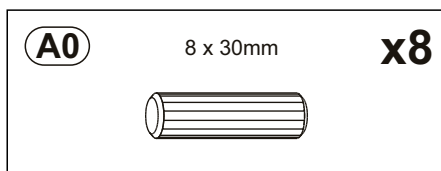
C2  x8	D21 5 x 13 mm  x2	P0  x2
--------------------------------------------------------------------------------------------------------	----------------------------------------------------------------------------------------------------------------------	----------------------------------------------------------------------------------------------------------



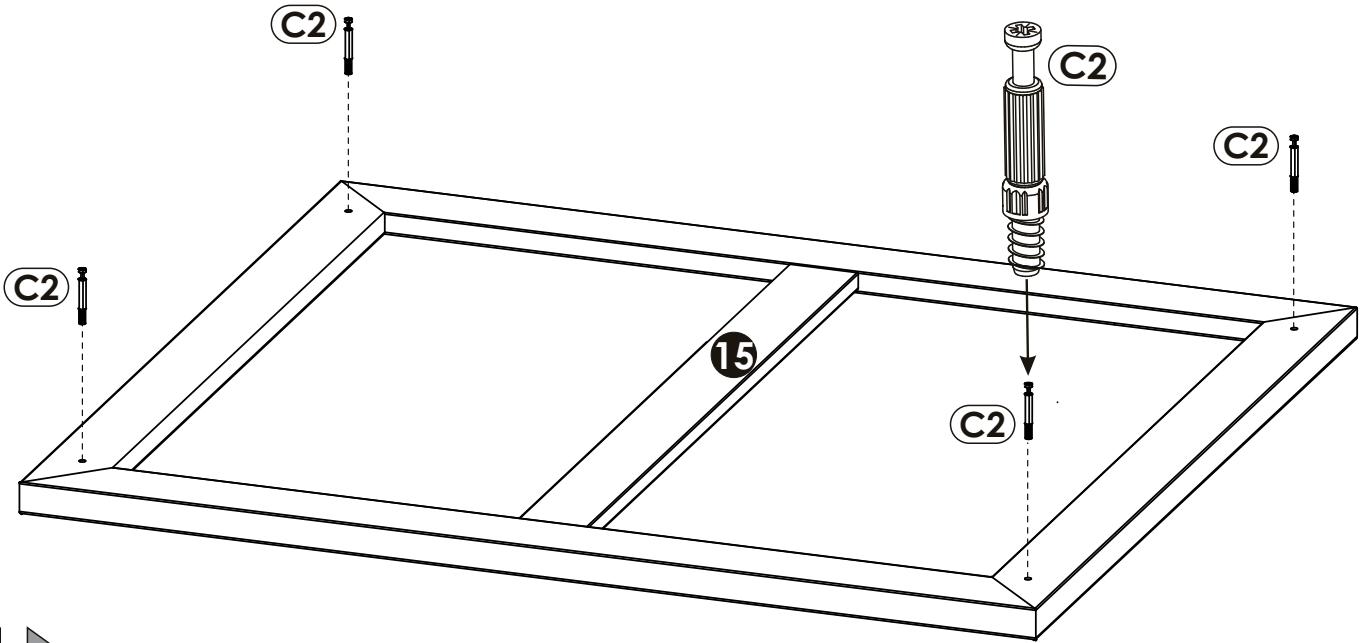
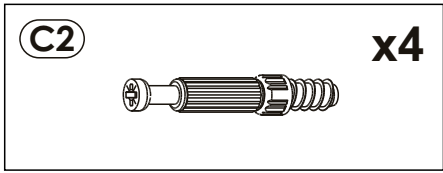
8 ▶




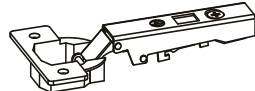




9 ▶

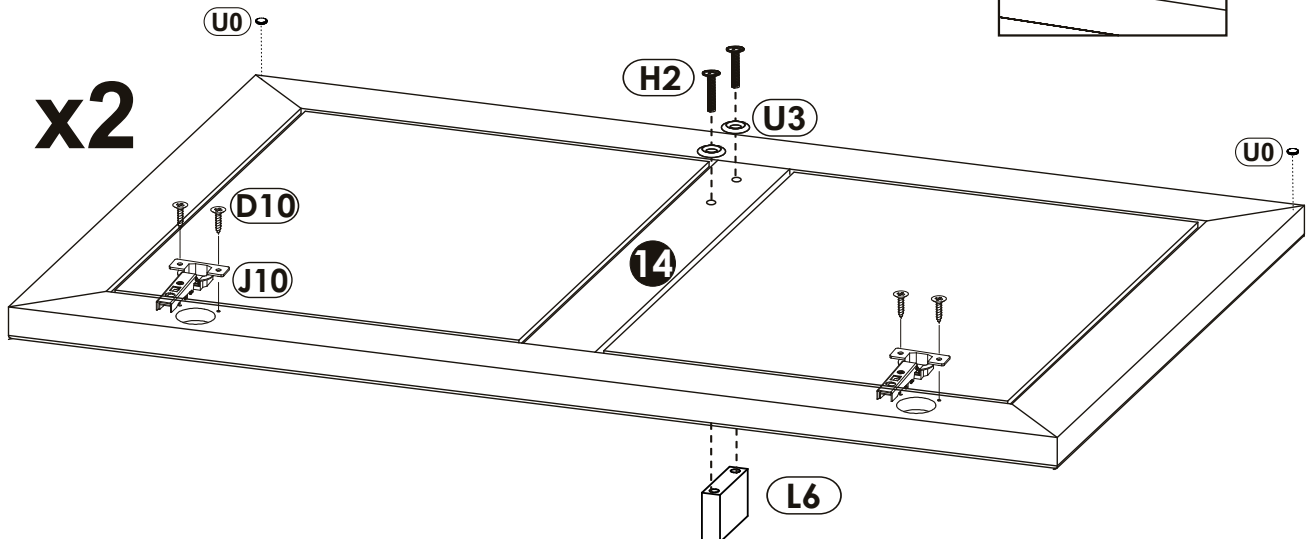
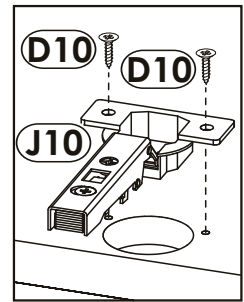


10 ▶





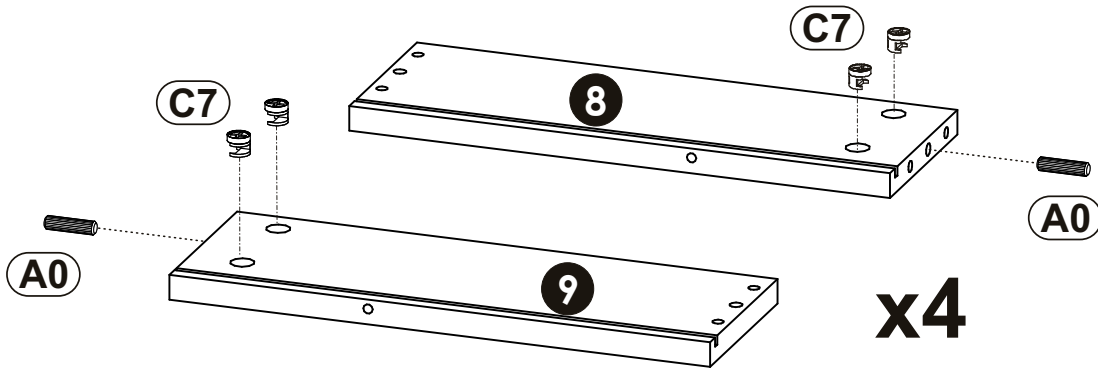
11 ▶

<p>D10 4 x 16 mm x8</p> 	<p>J10 x4</p> 	<p>H2 4 x 22 mm x4</p> 
<p>L6 x2</p> 	<p>U0 x4</p> 	<p>U3 x4</p> 

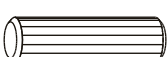


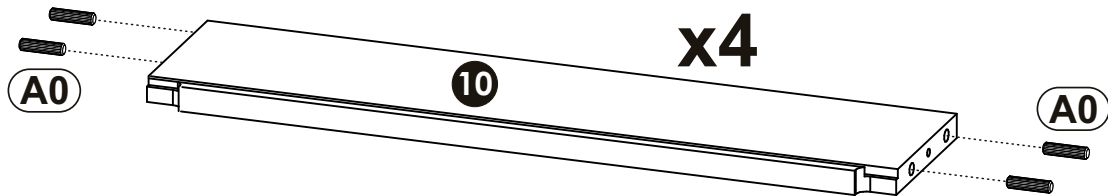
12 ▶

(A0)	8 x 30mm	x8	(C7)		x16
			16mm		




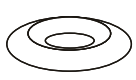


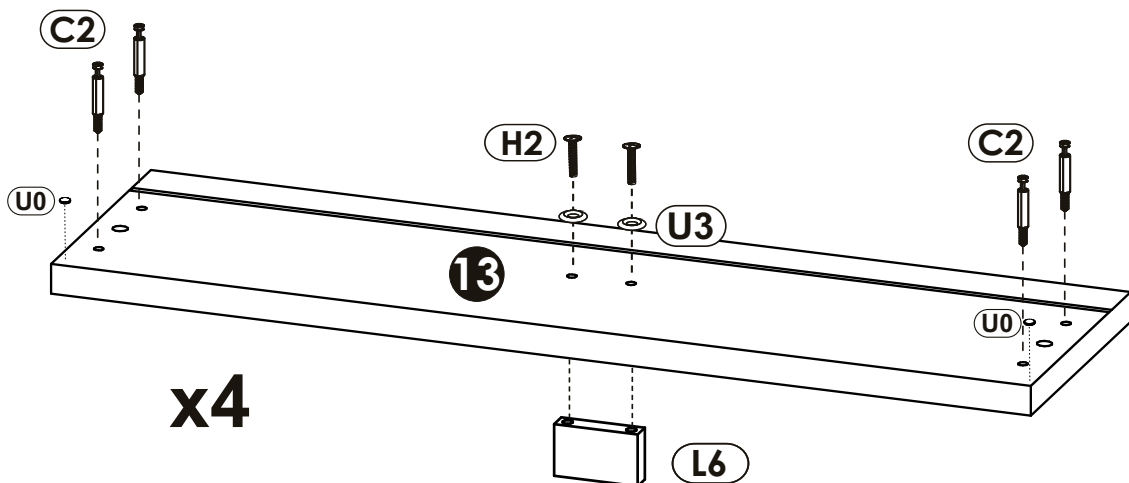
13 ▶

(A0)	8 x 30mm	x16
		


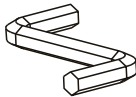


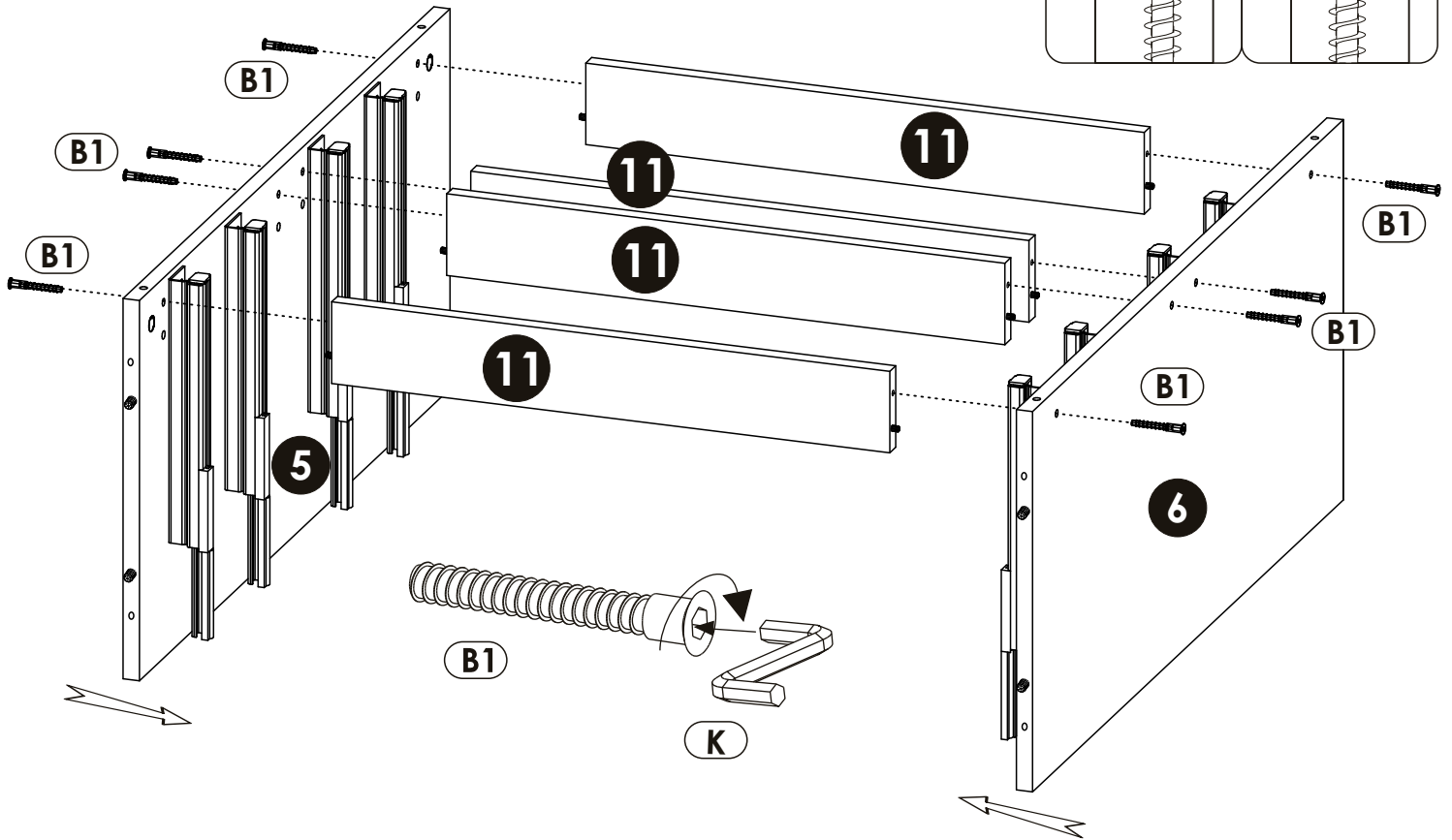
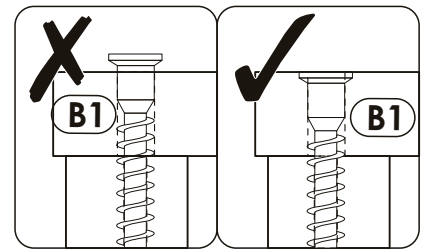
14 ▶

(C2)		x16	(H2)	4 x 22 mm	x8	(L6)		x4
(U0)		x8	(U3)		x8			

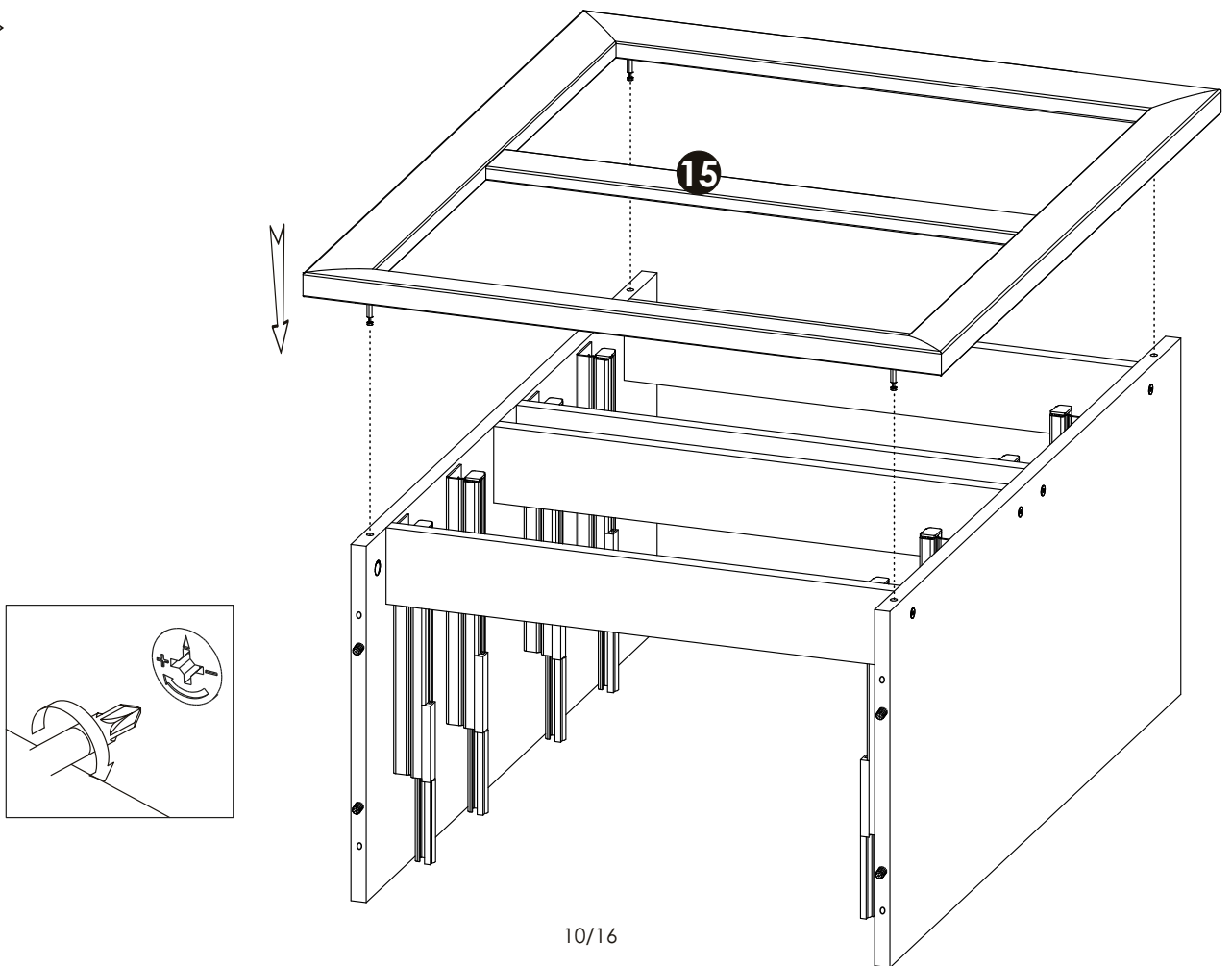


15▶

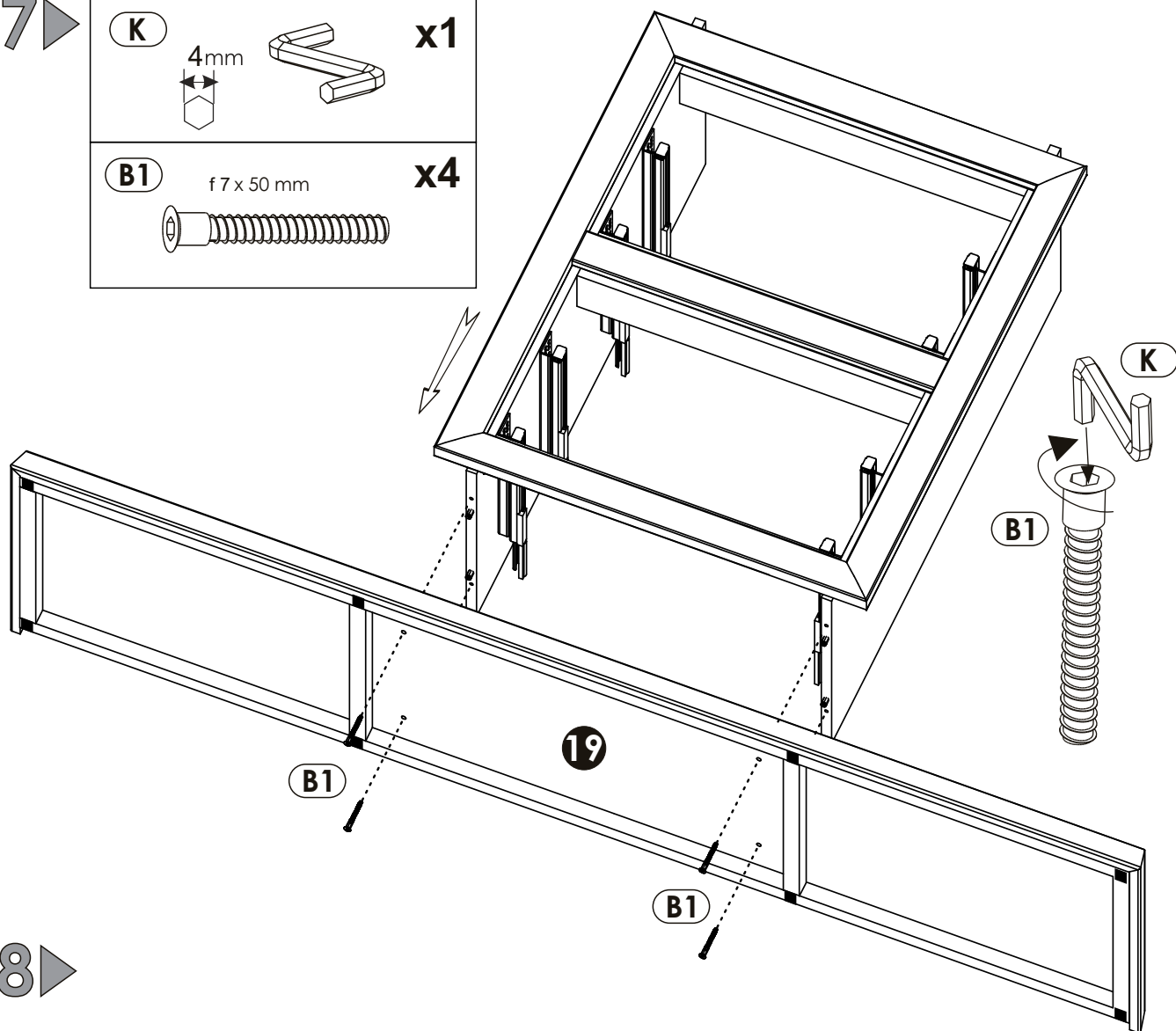
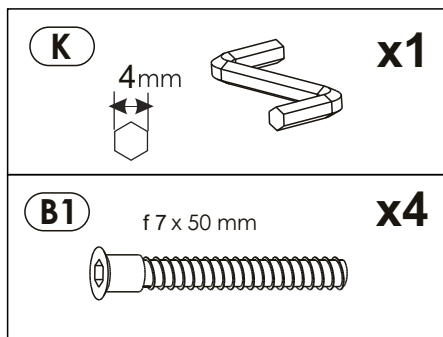
B1 f 7 x 50 mm 	x8	K 4mm 	x1
---------------------------------------------------------------------------------------------------------------	-----------	-----------------------------------------------------------------------------------------------------	-----------



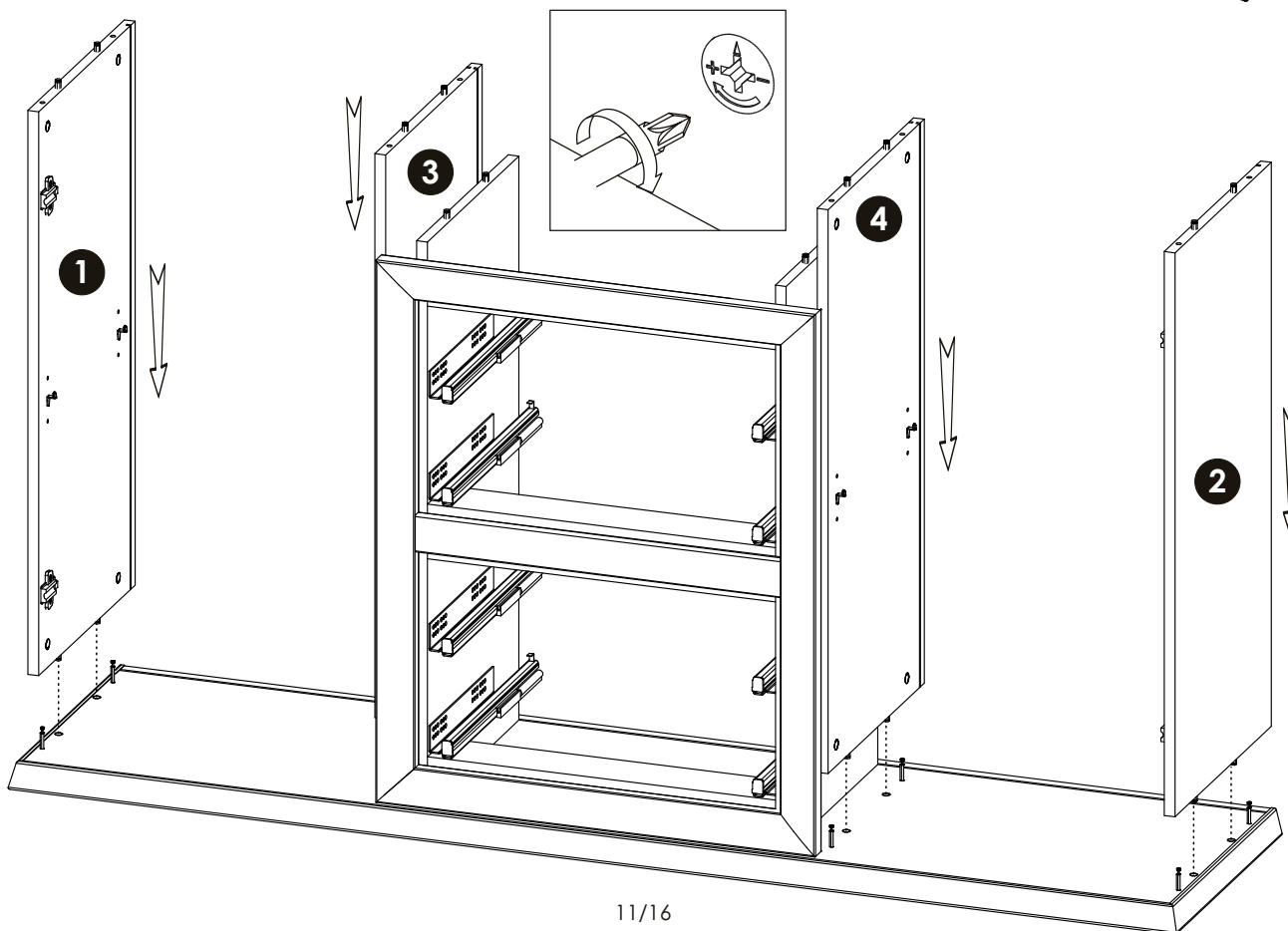
16▶



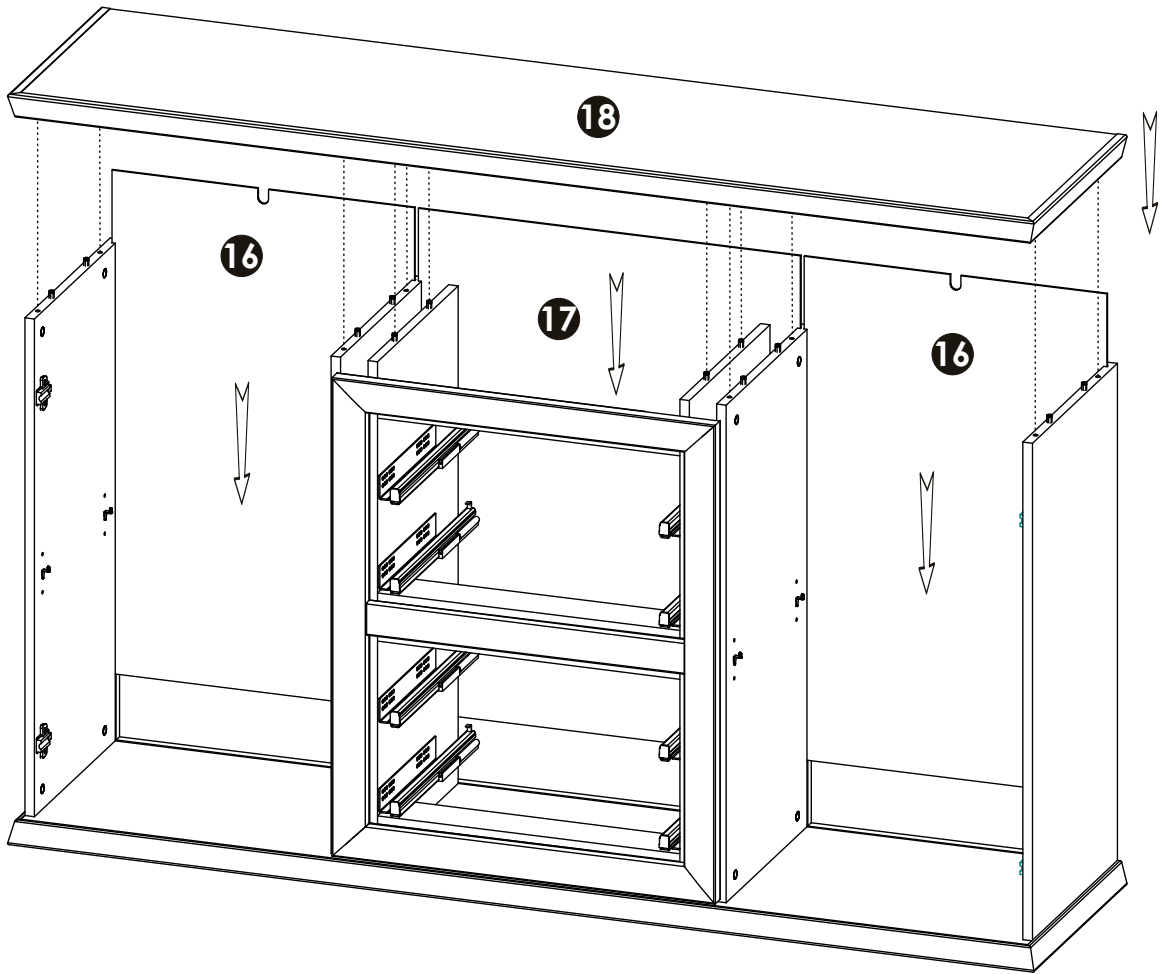
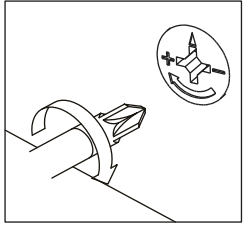
17▶





18▶

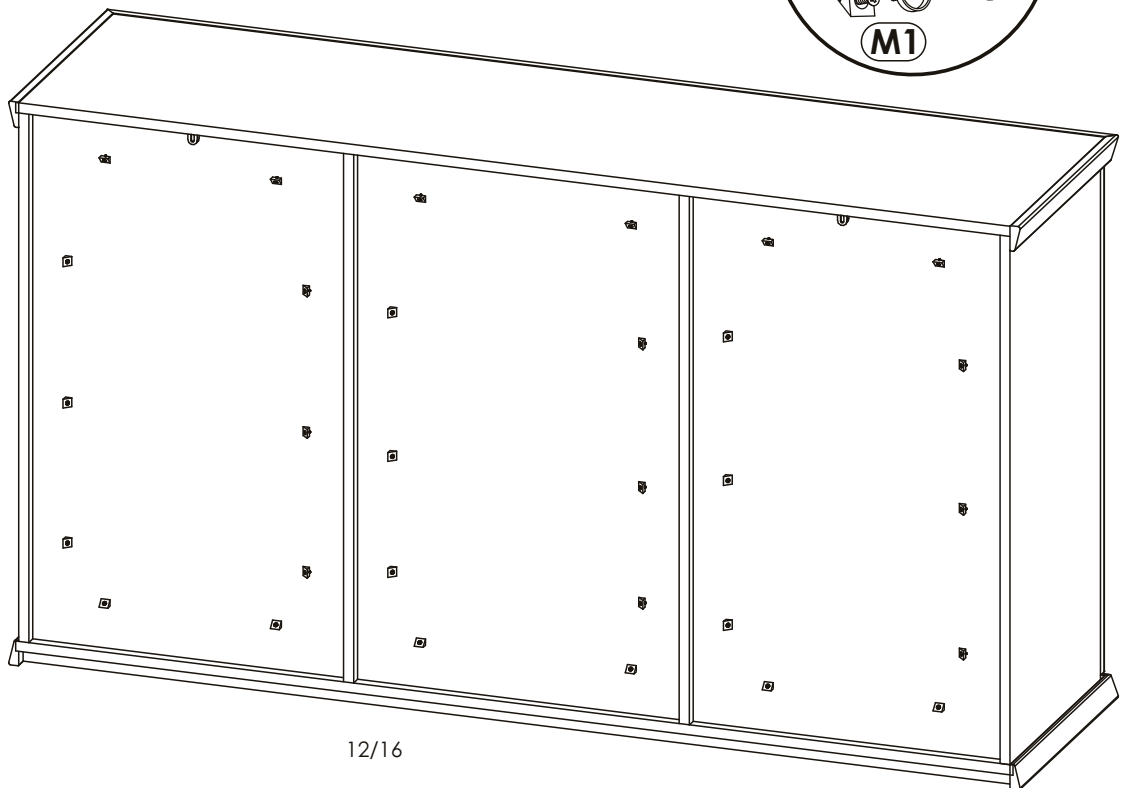
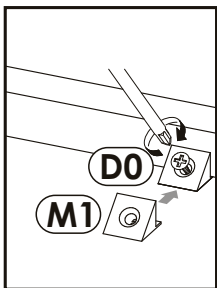
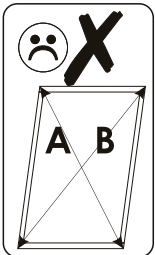
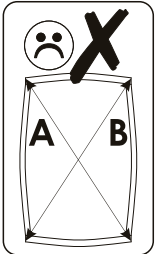
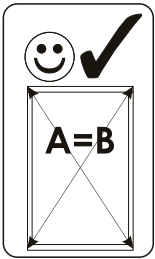
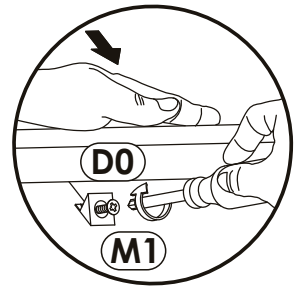


19▶

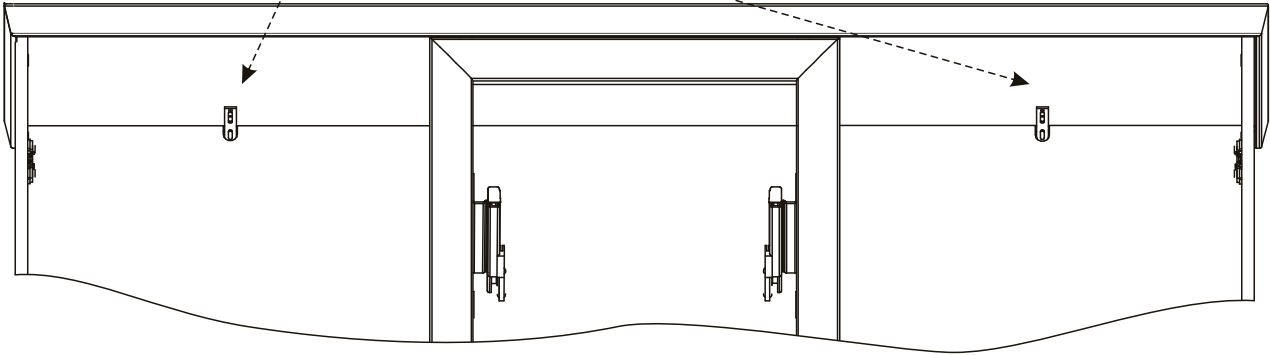
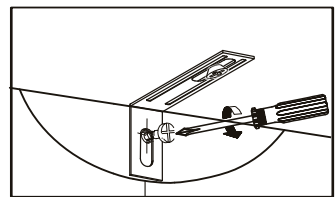
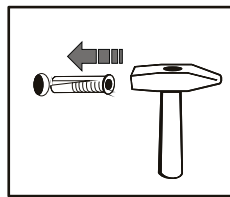
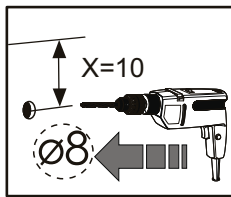
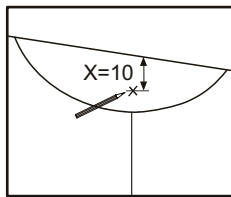
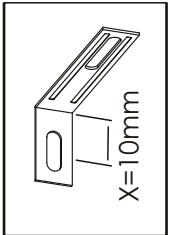
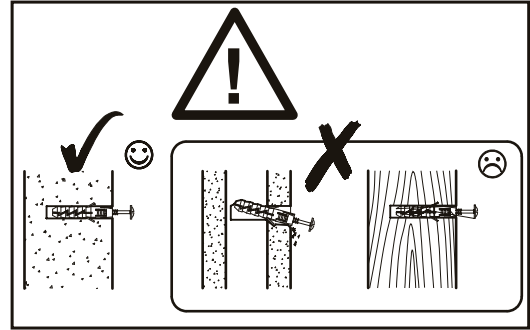
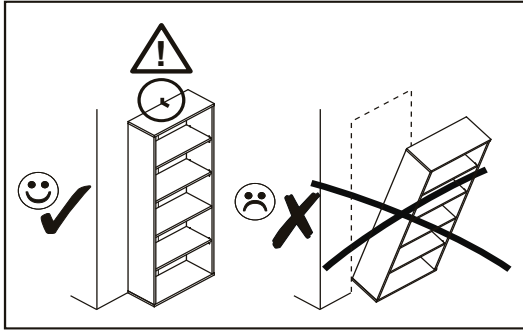
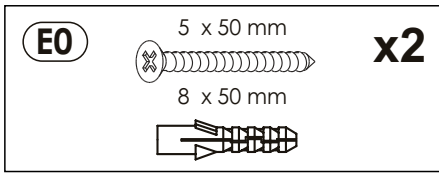


20▶

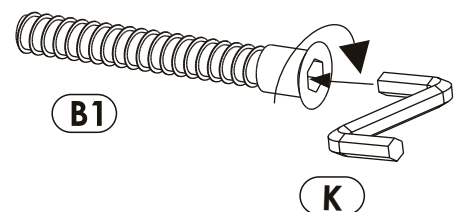
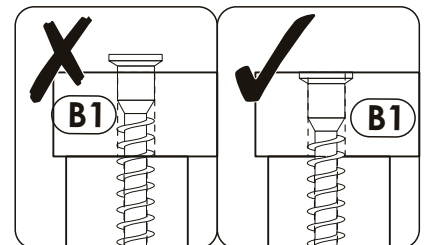
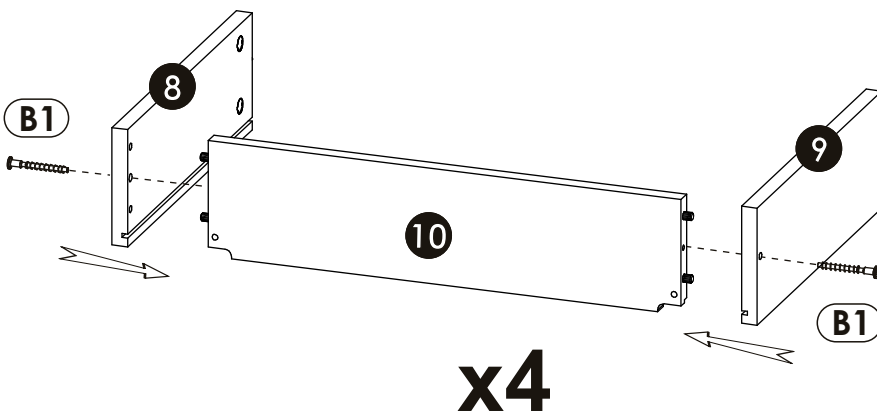
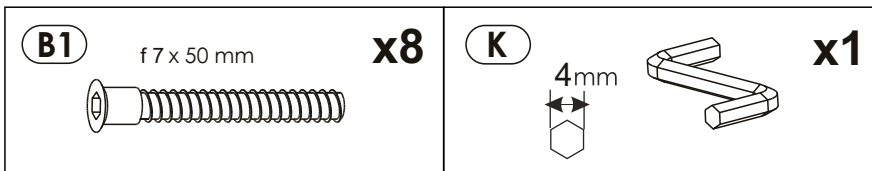
(D0)	3 x 15 mm	x30	(M1)		x30
					



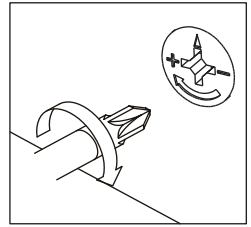
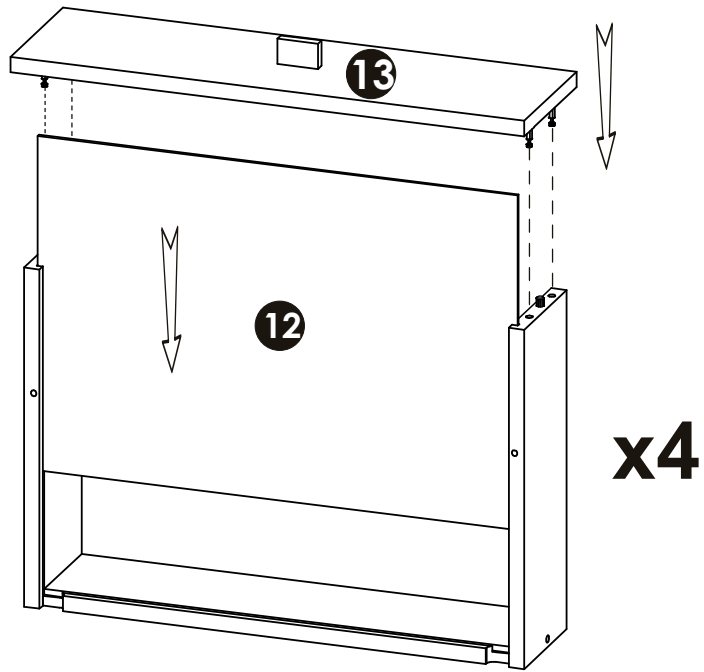
21▶



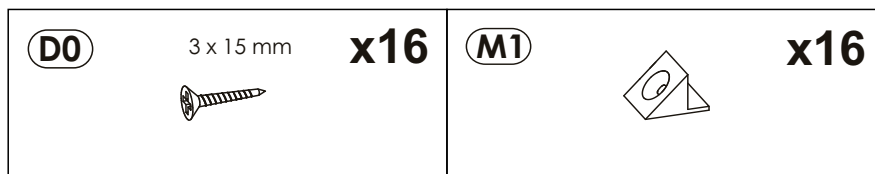
22▶



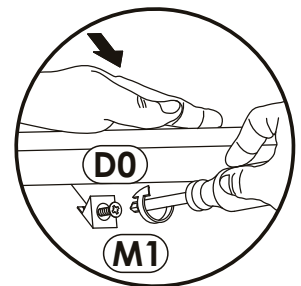
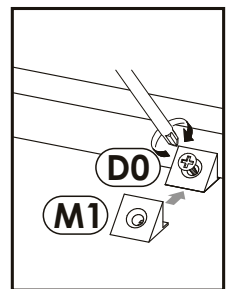
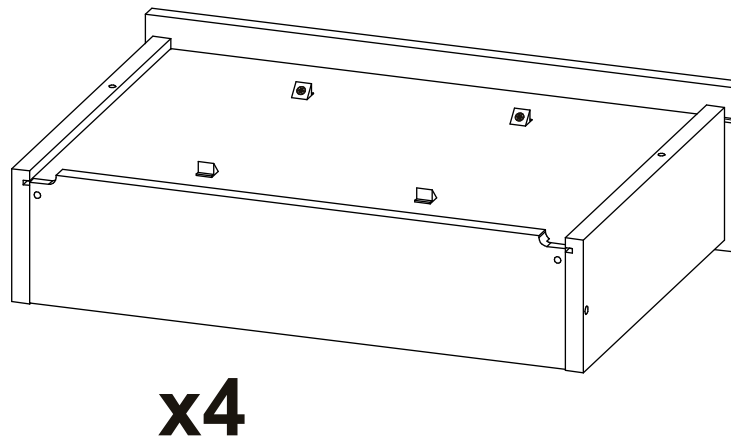
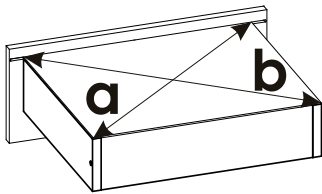
23▶



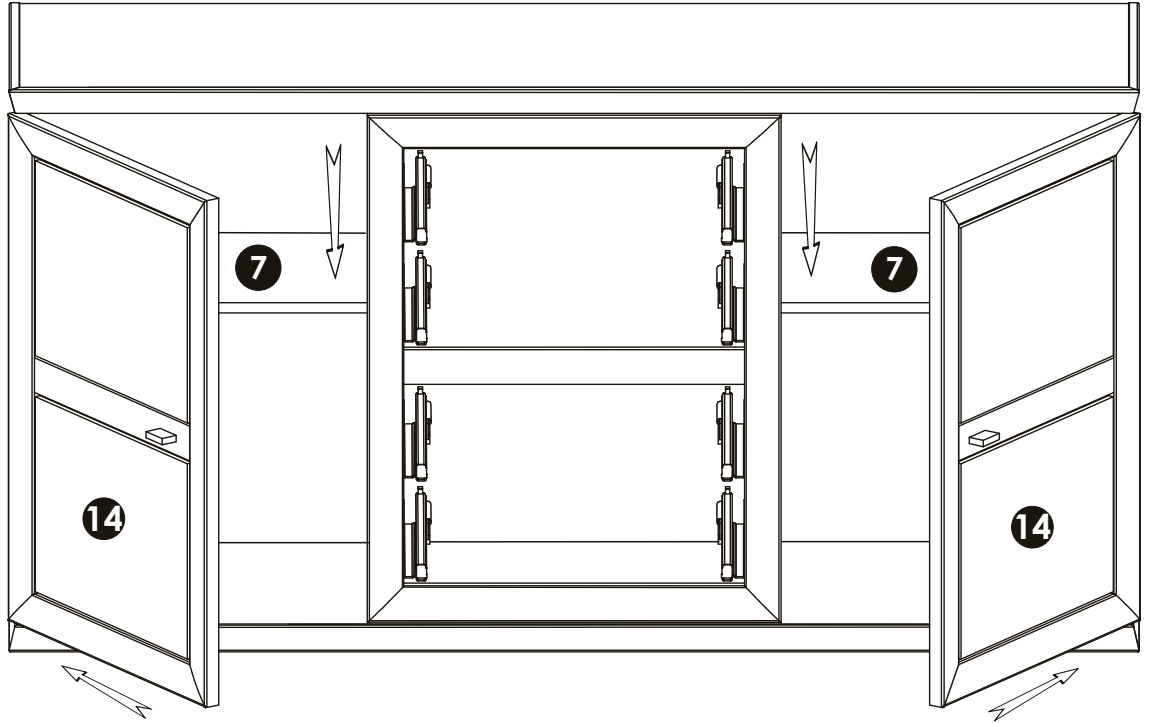
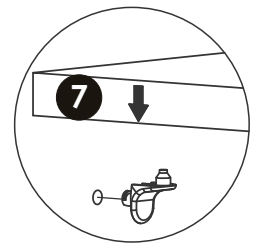
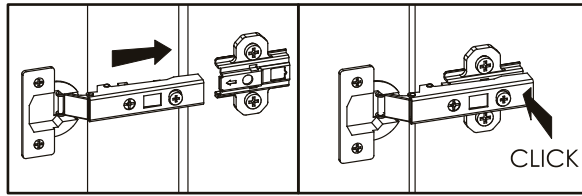
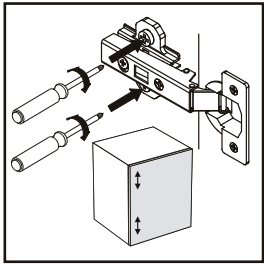
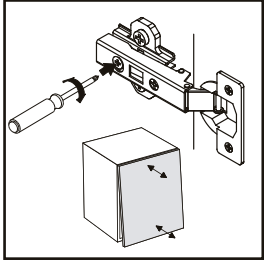
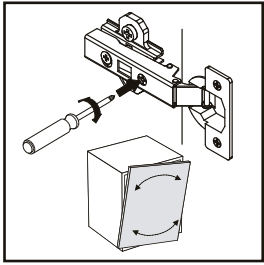
24▶



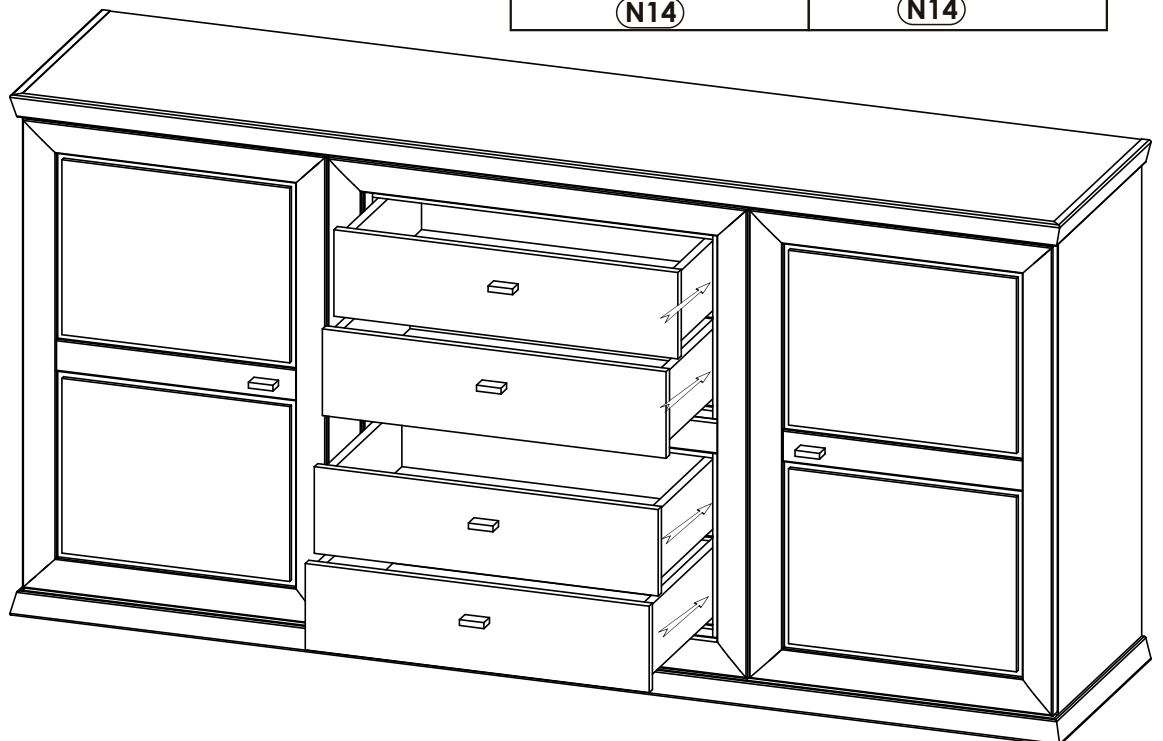
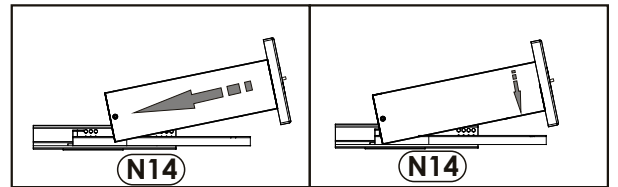
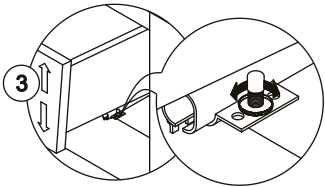
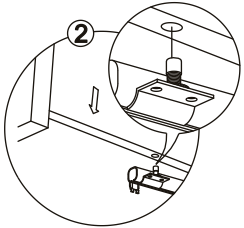
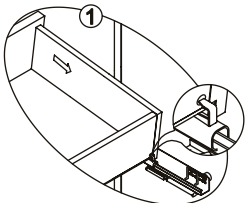
a=b



25 ▶



26 ▶



27▶

