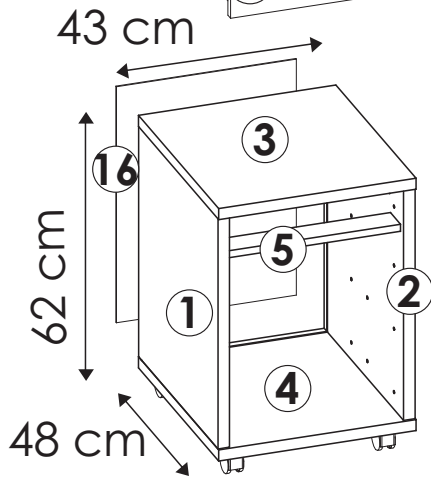
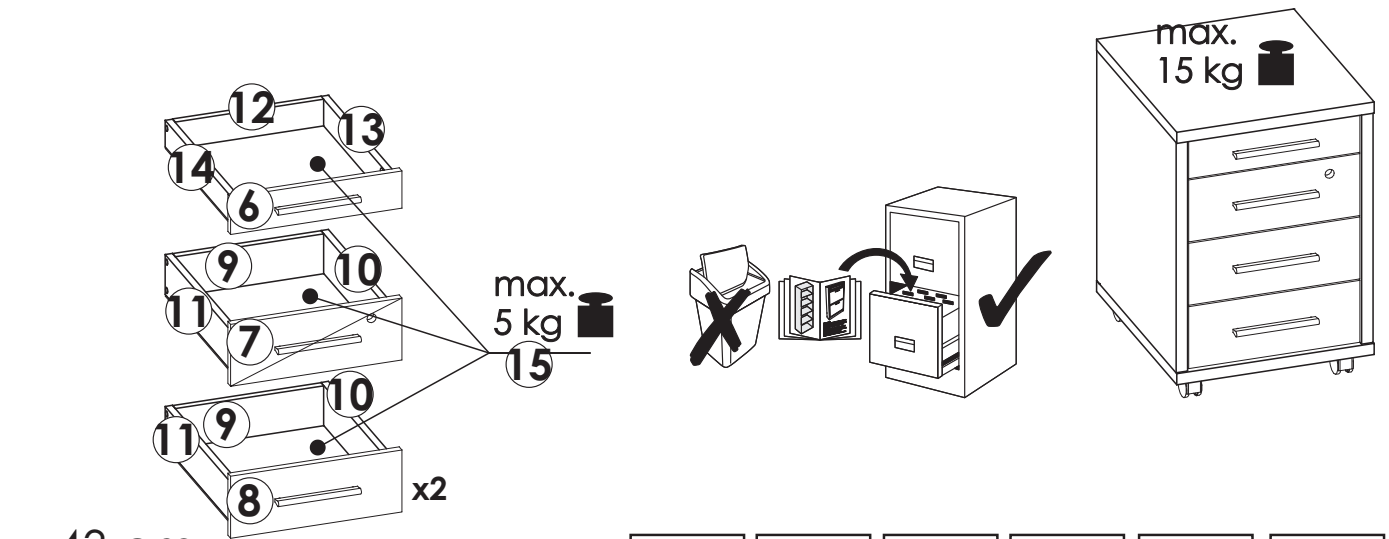
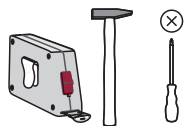
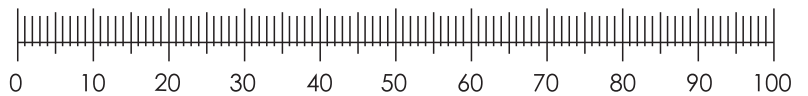


PROFI PFK01

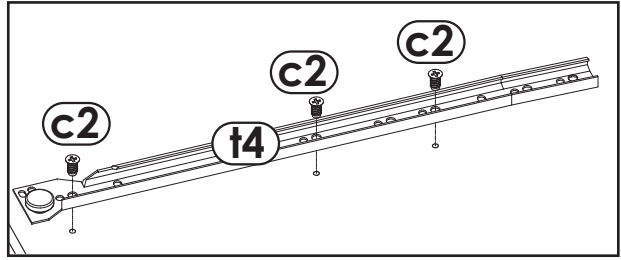
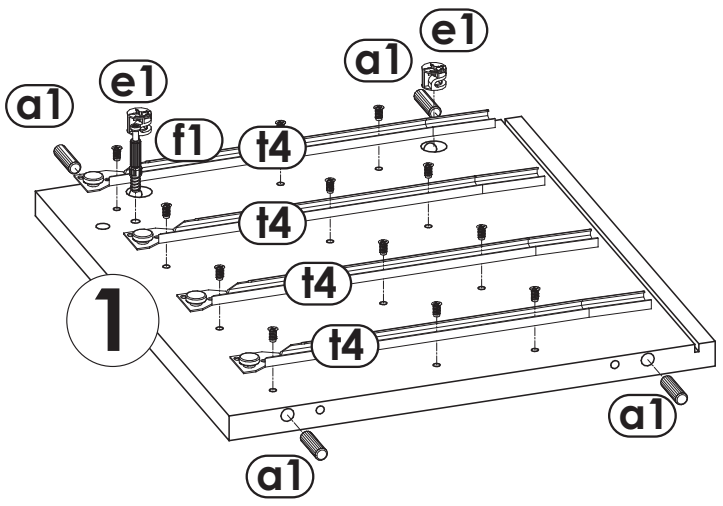
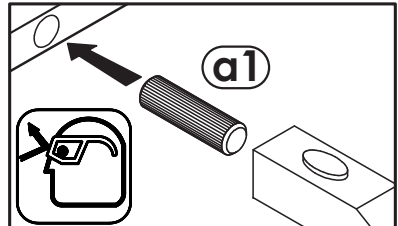
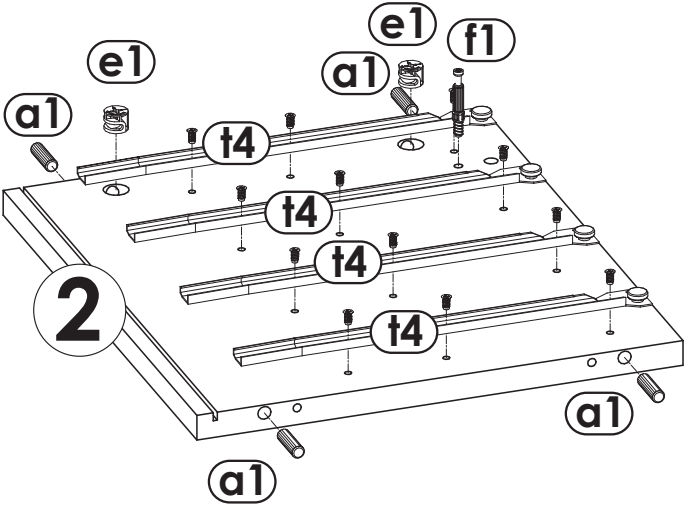
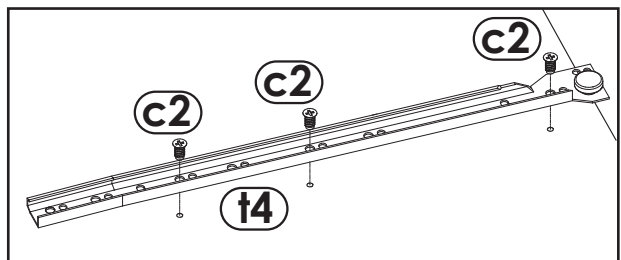
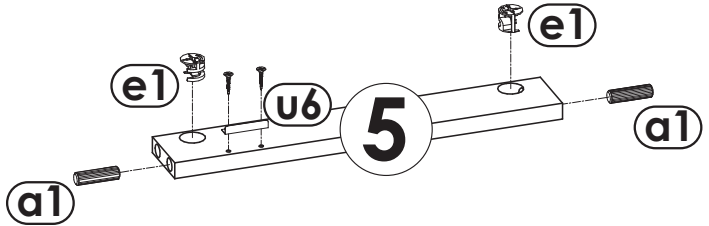
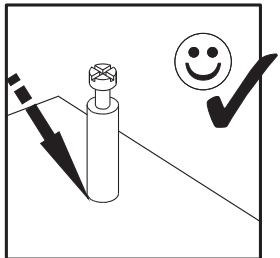
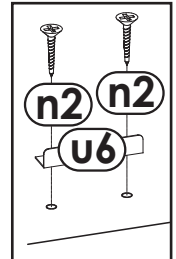
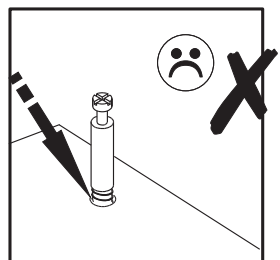
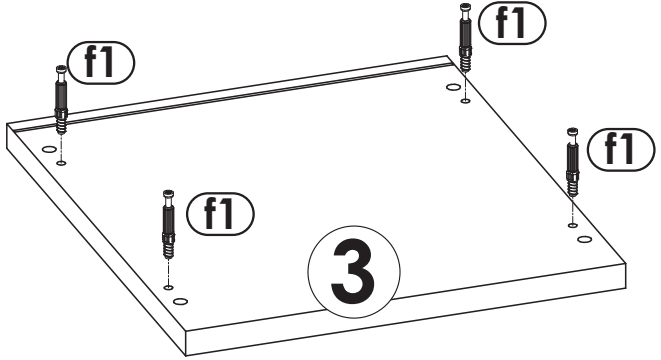
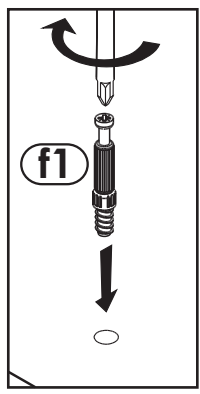
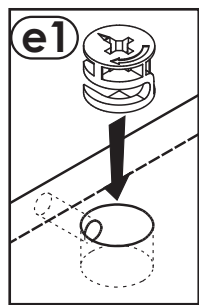
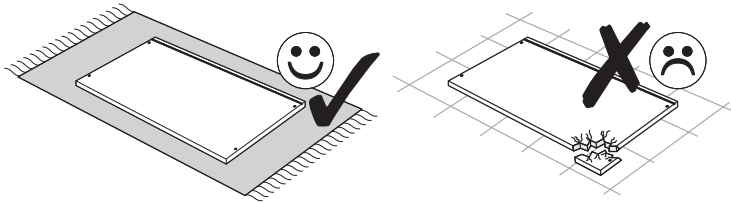


a1 8x35 x....(x38)	c2 Euro 5x13 x....(x24)	e0 x....(x14)	e1 x....(x14)	f1 x..(x14)	g0 x....(x12)
g1 7x50 x....(x8)	g2 7x60 x....(x4)	h1 x....(x4)			
i2 4x16 x....(x16)	i4 3,5x27 x....(x8)	j1 3x20 x....(x28)	m x....(x1)	n1 3x16 x....(x20)	n2 3,5x16 x....(x2)
o11 x....(x4)	r4 x....(x6)	t4 L-400 x....(x4)	u5 x....(x1)		
					u6 x....(x2)

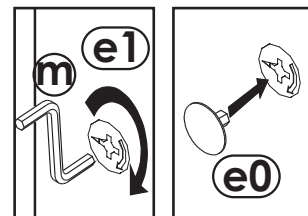
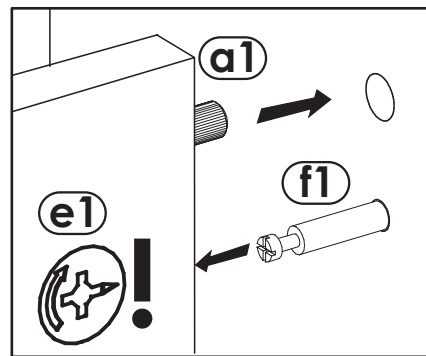
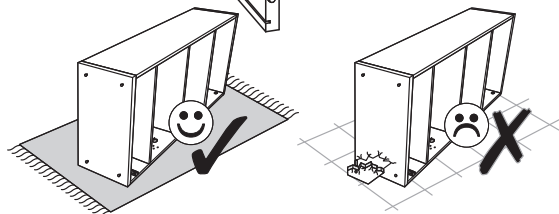
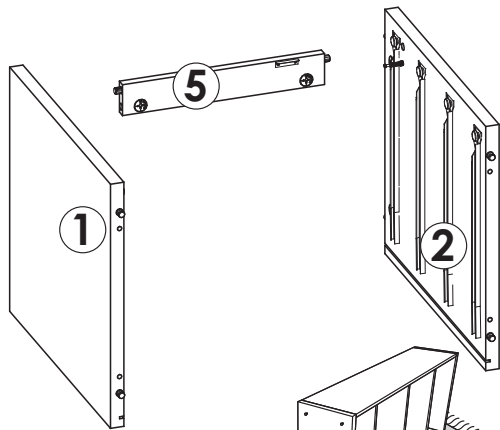


- 75 min.

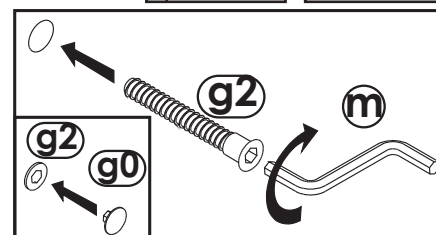
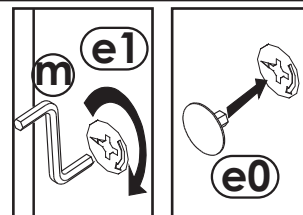
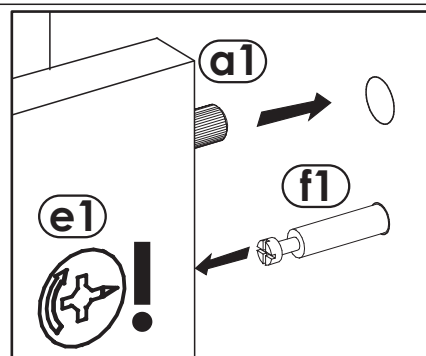
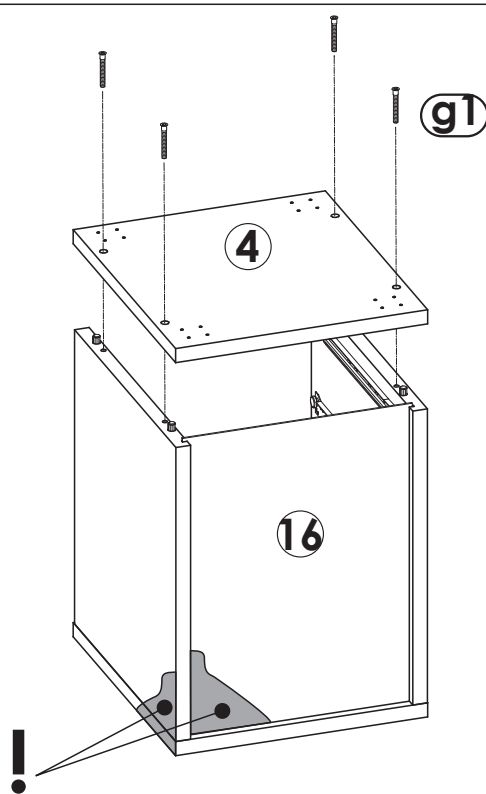
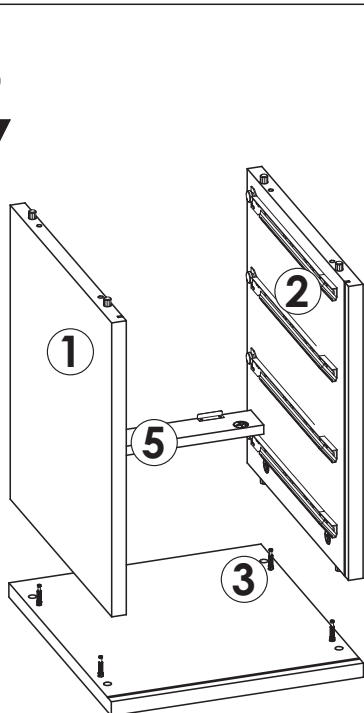
1



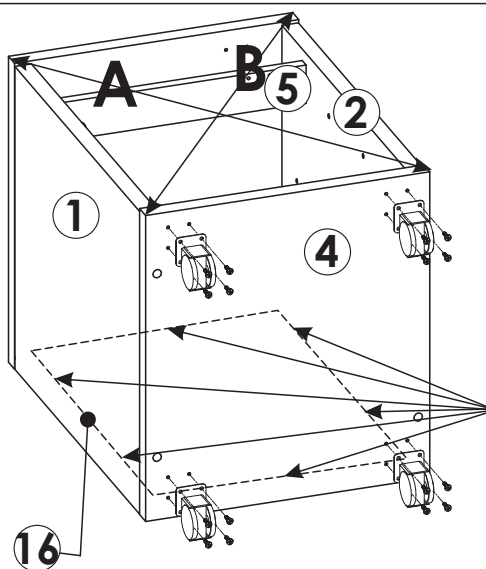
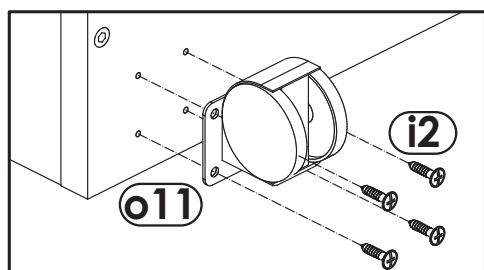
2



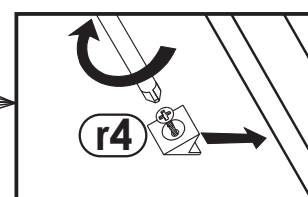
3



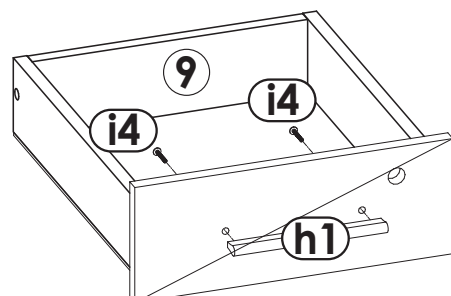
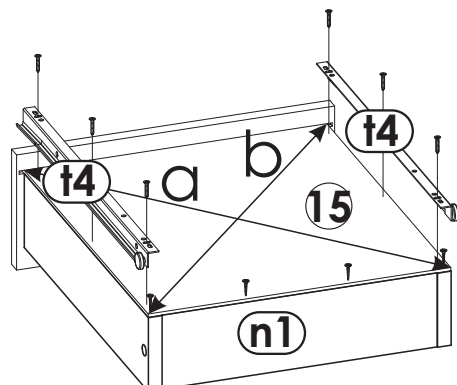
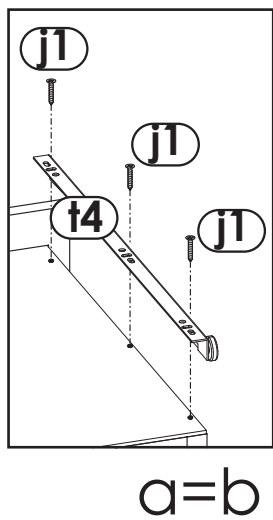
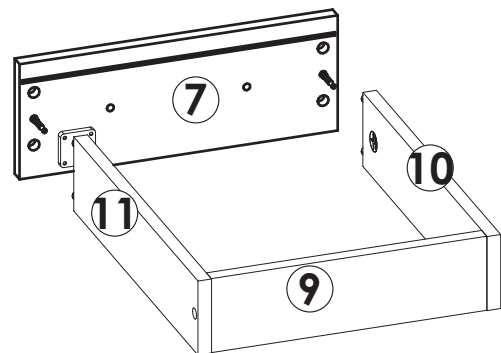
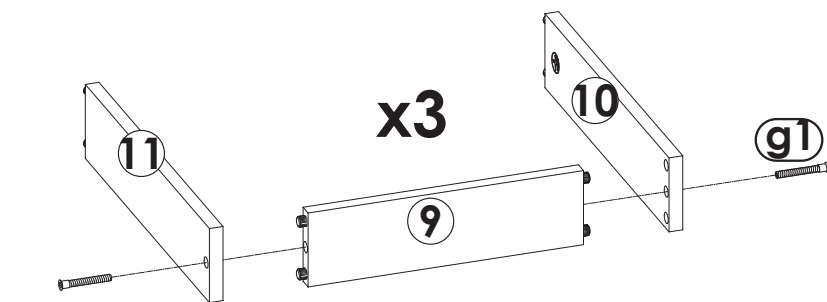
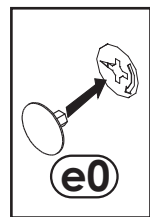
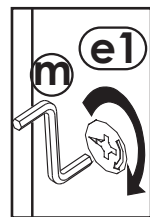
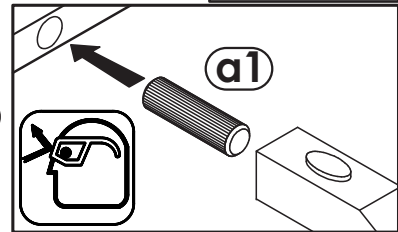
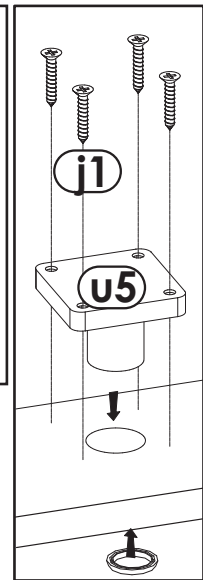
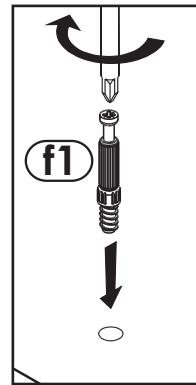
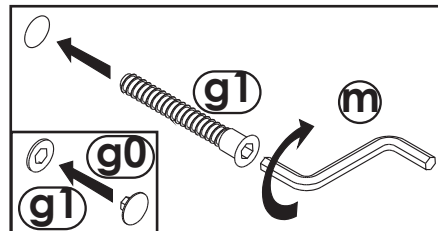
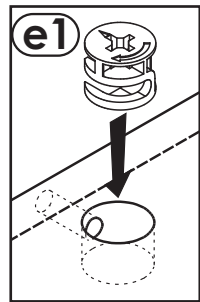
4



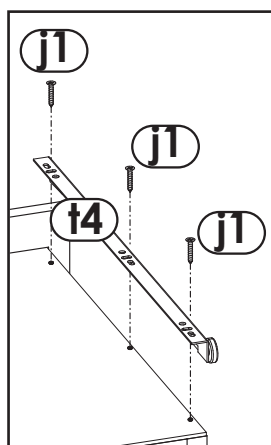
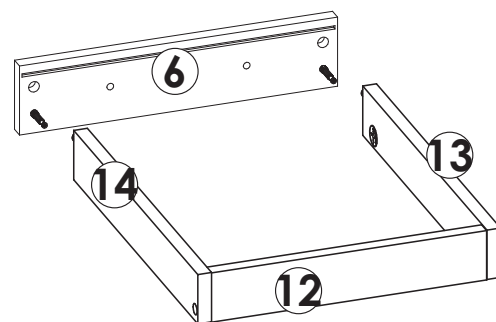
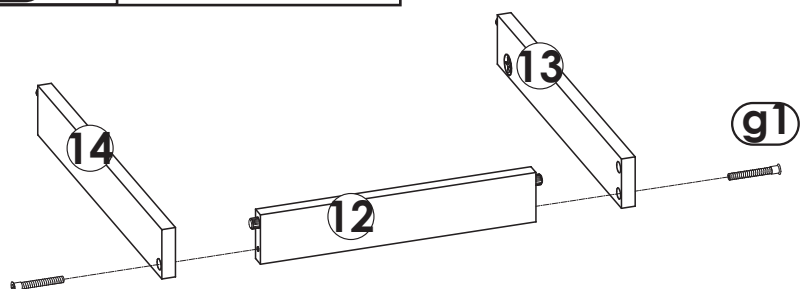
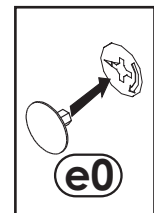
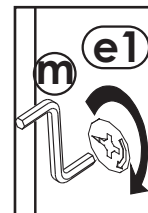
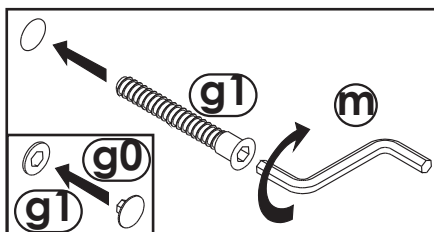
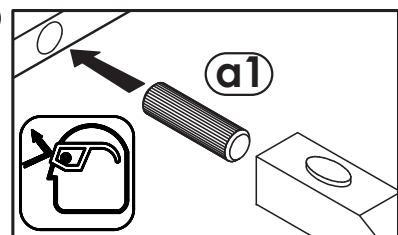
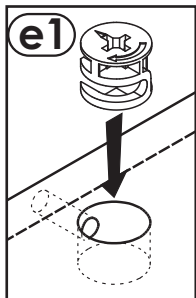
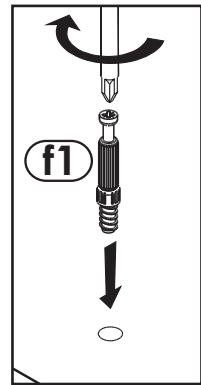
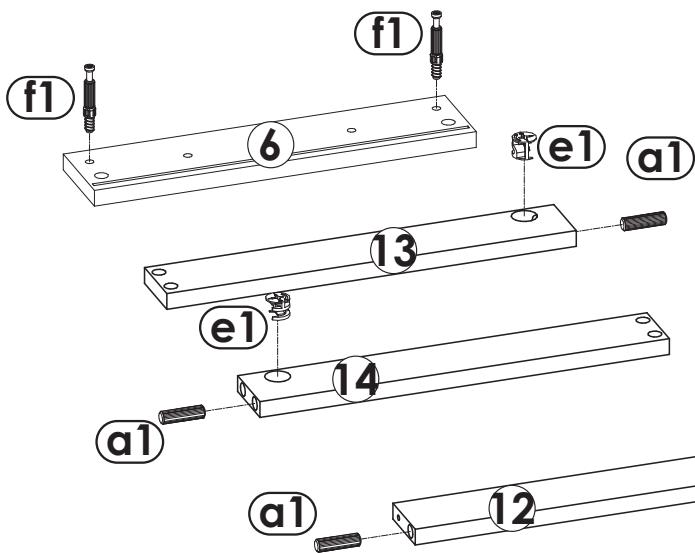
A=B



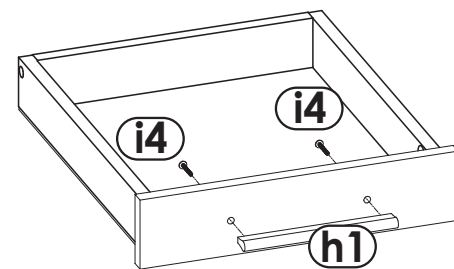
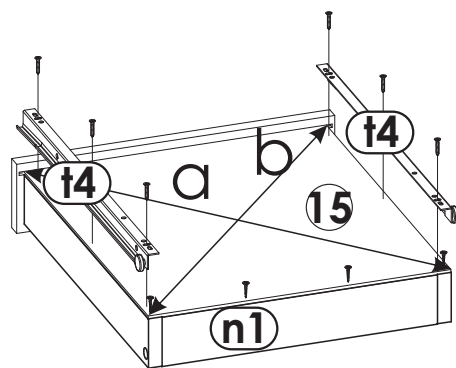
5



6



$a=b$



7
▼

