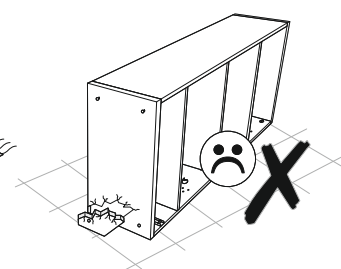
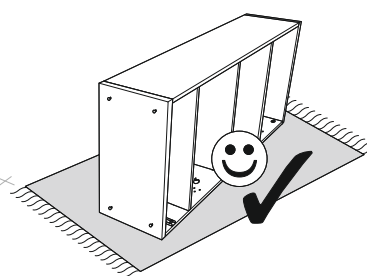
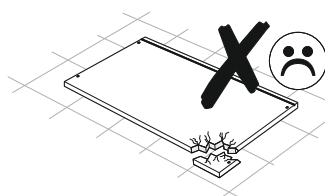
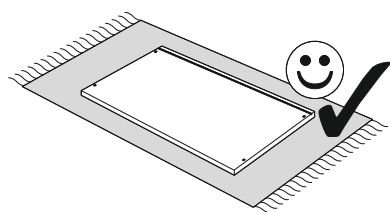
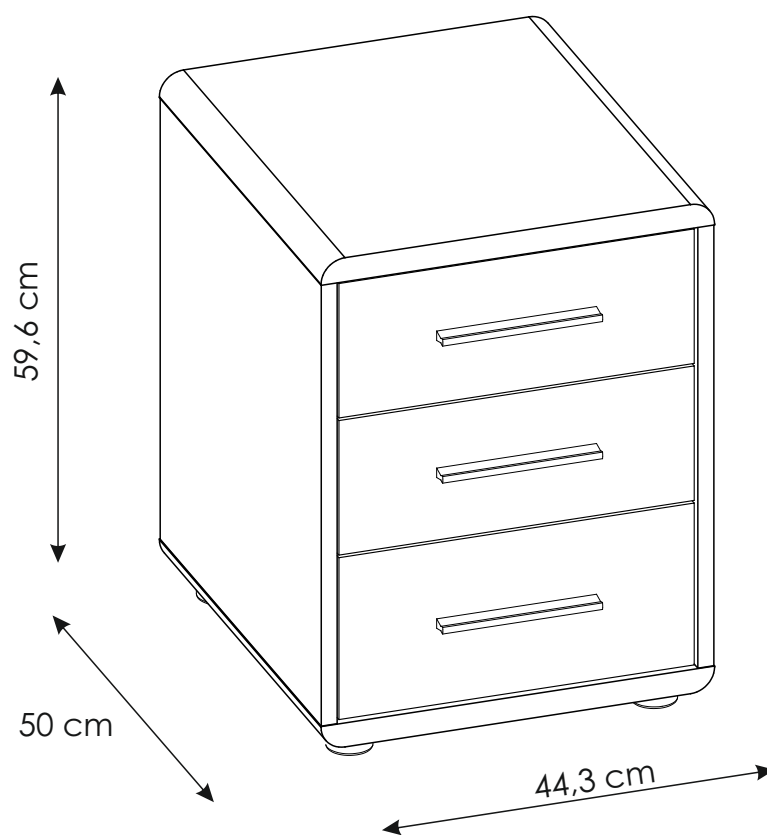
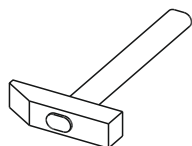
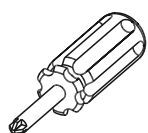
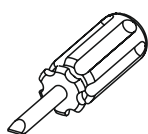
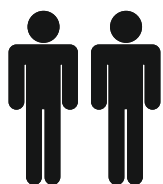
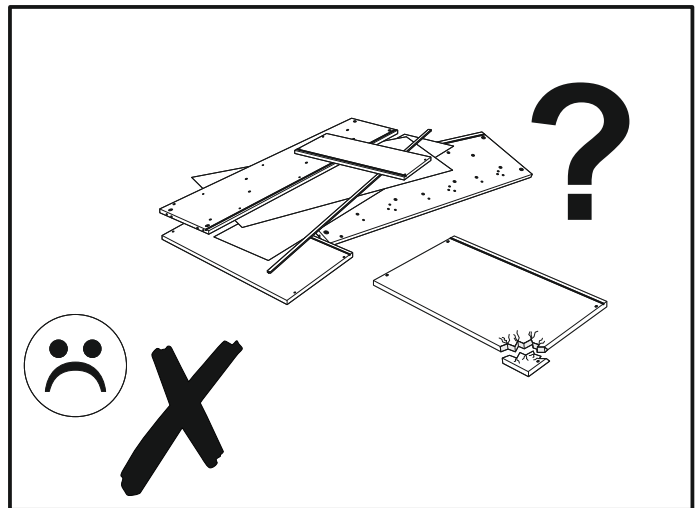
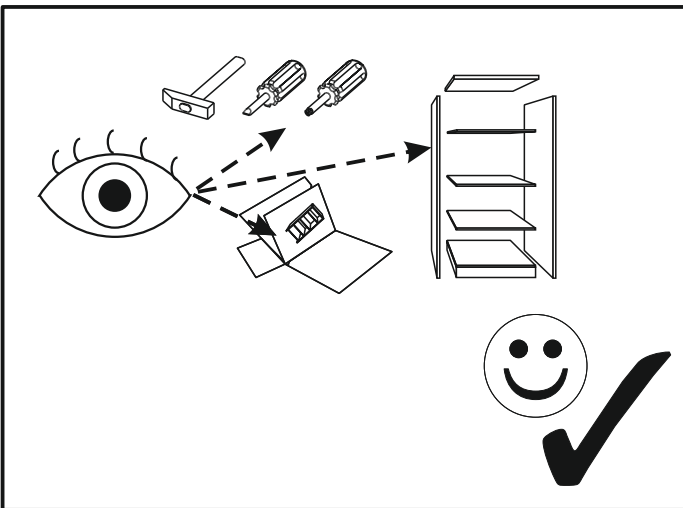
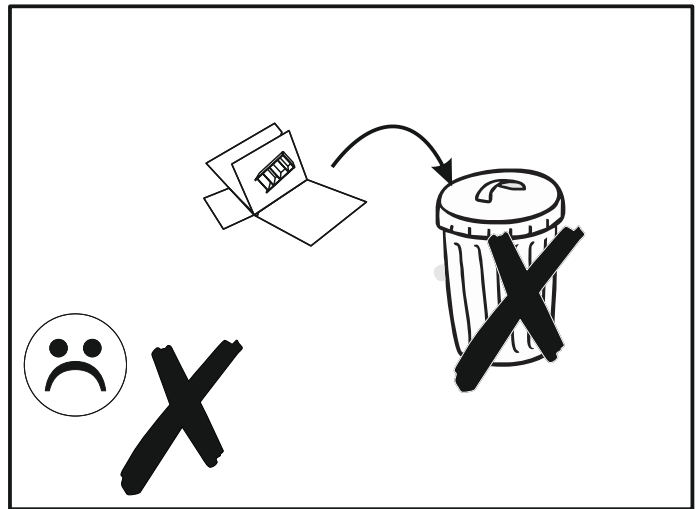
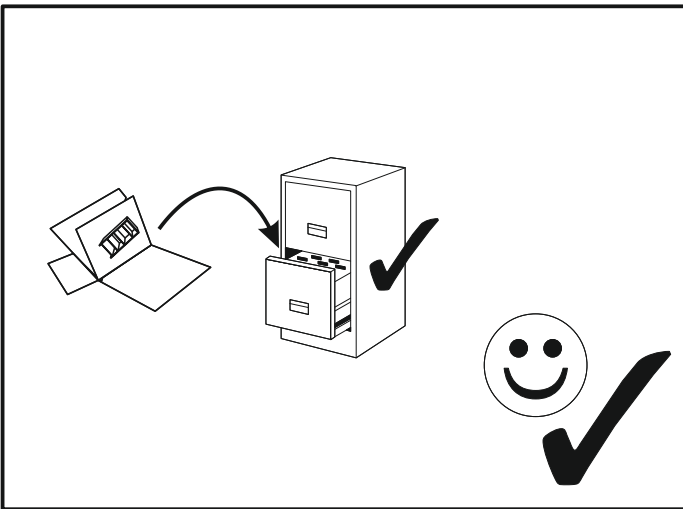
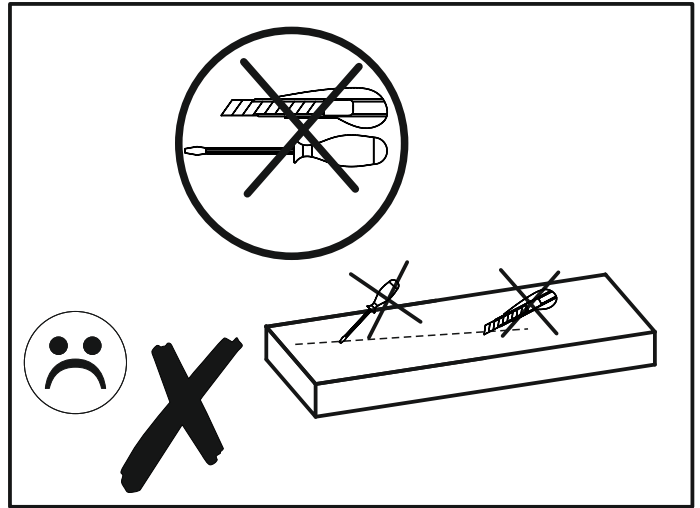
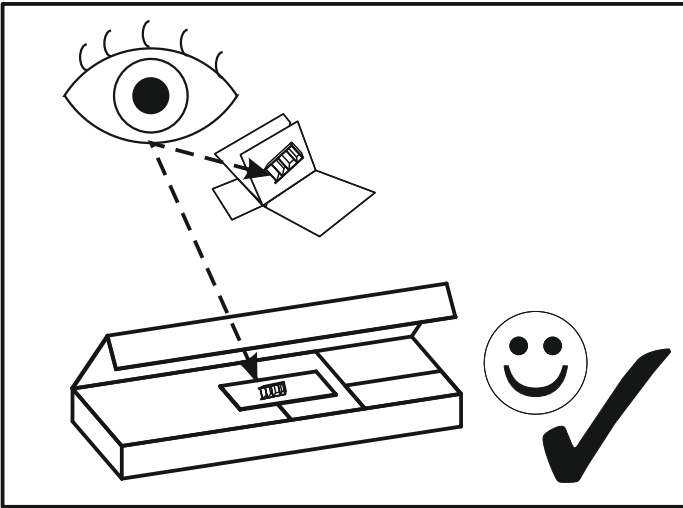


FONTANA FTK06



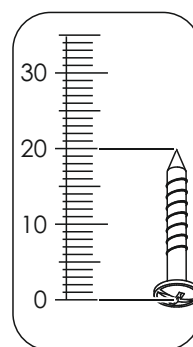


FONTANA FTK06

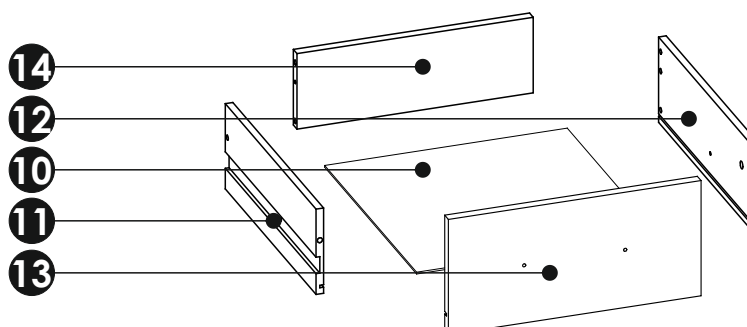
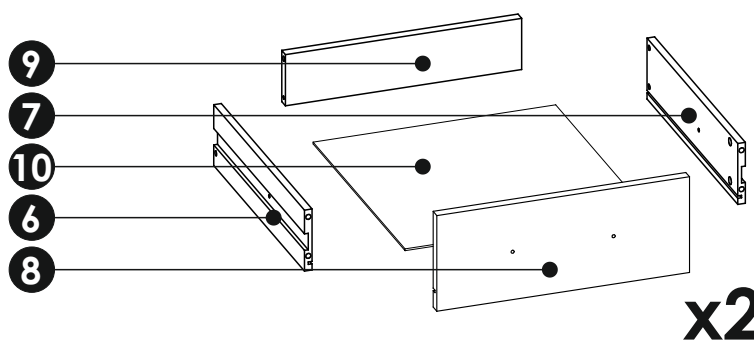
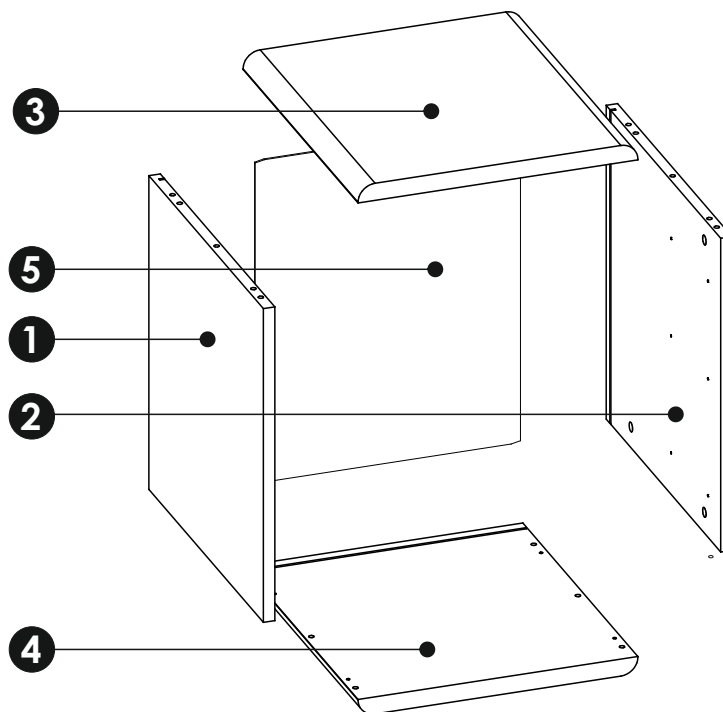
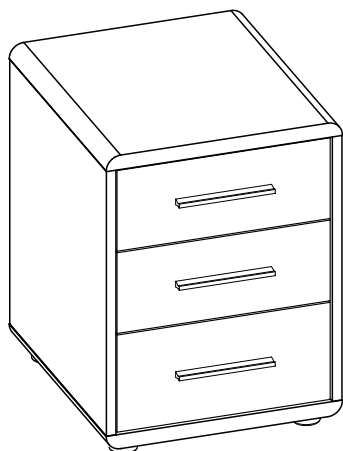
MM

| | | | | | | | | |
|-----------|---------------|-----|------------|-------------|-----|------------|------------|-----|
| A1 | ∅8 x 35 mm | x20 | C2 | 5 x 13 mm | x12 | E0 | | x8 |
| E1 | ∅15 x 12,5 mm | x8 | E3 | ∅12 x 10 mm | x10 | F1 | | x18 |
| G0 | | x6 | G1 | 7 x 50 mm | x6 | H1 | L - 180 mm | x3 |
| I4 | 3,5 x 27 mm | x6 | I10 | 3,5 x 22 mm | x4 | K1 | 4 x 9 mm | x6 |
| M | | x1 | N1 | 3 x 16 mm | x10 | O15 | | x4 |
| R4 | | x7 | T7 | | x3 | | | |

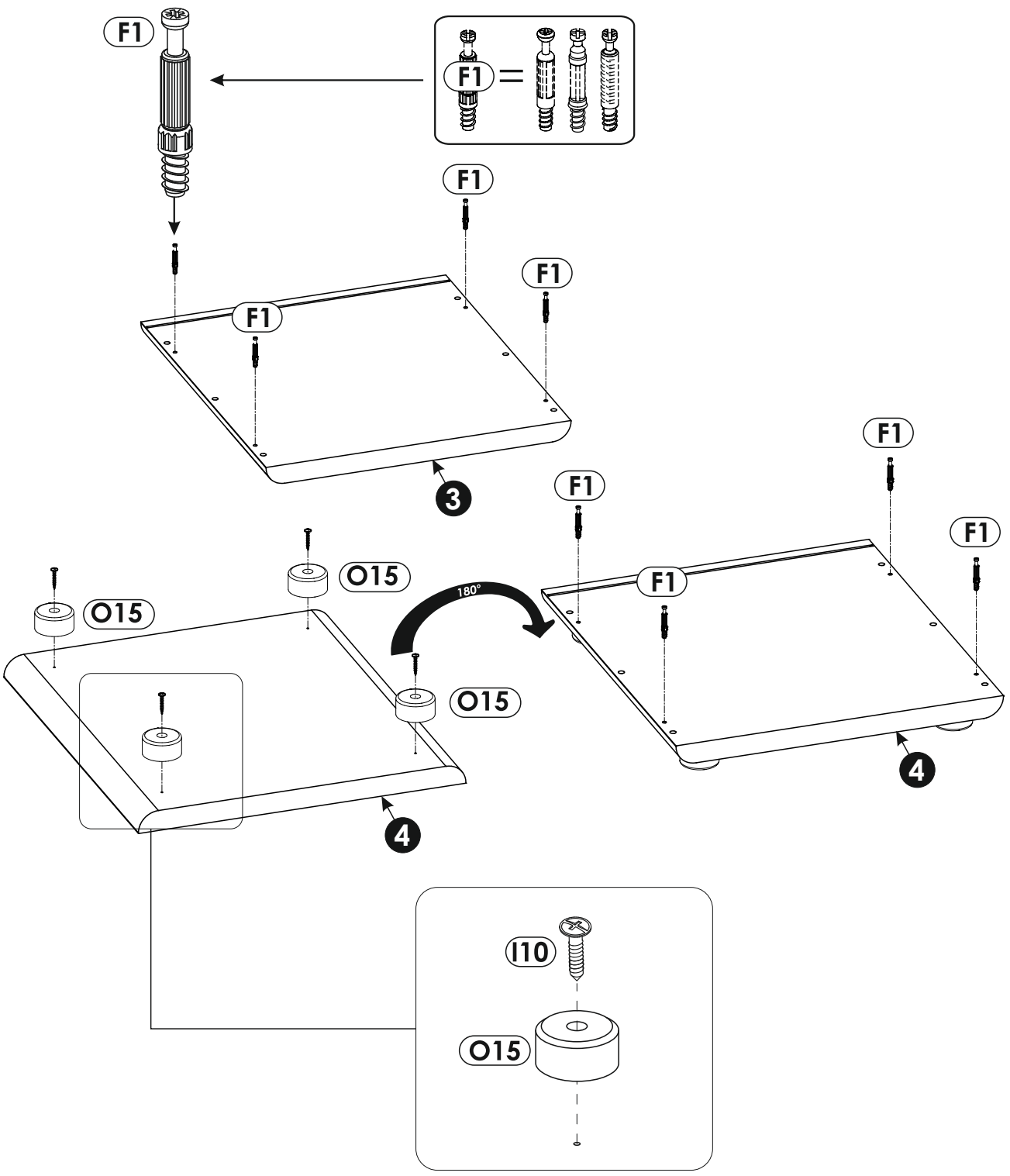
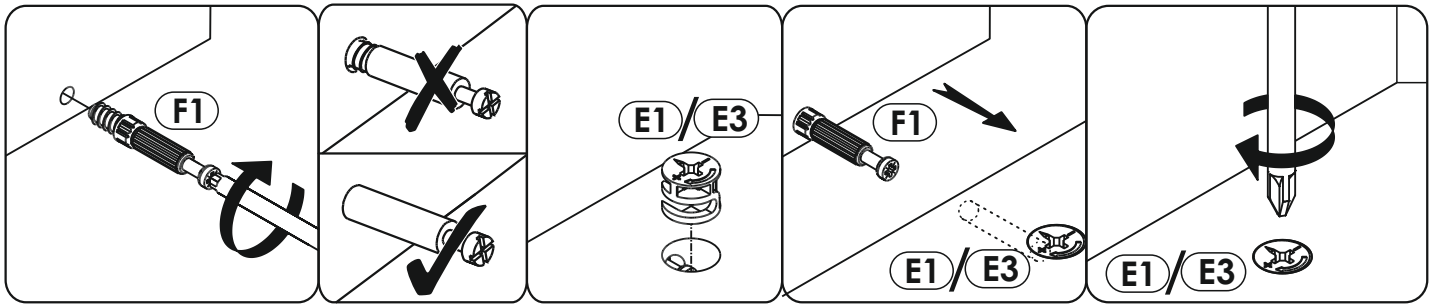
L - 250 mm

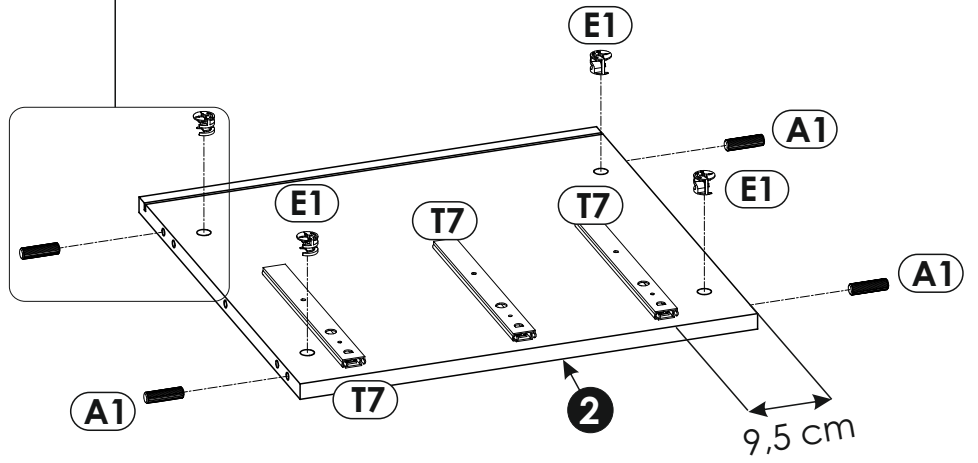
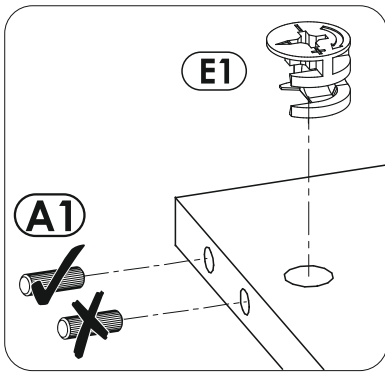
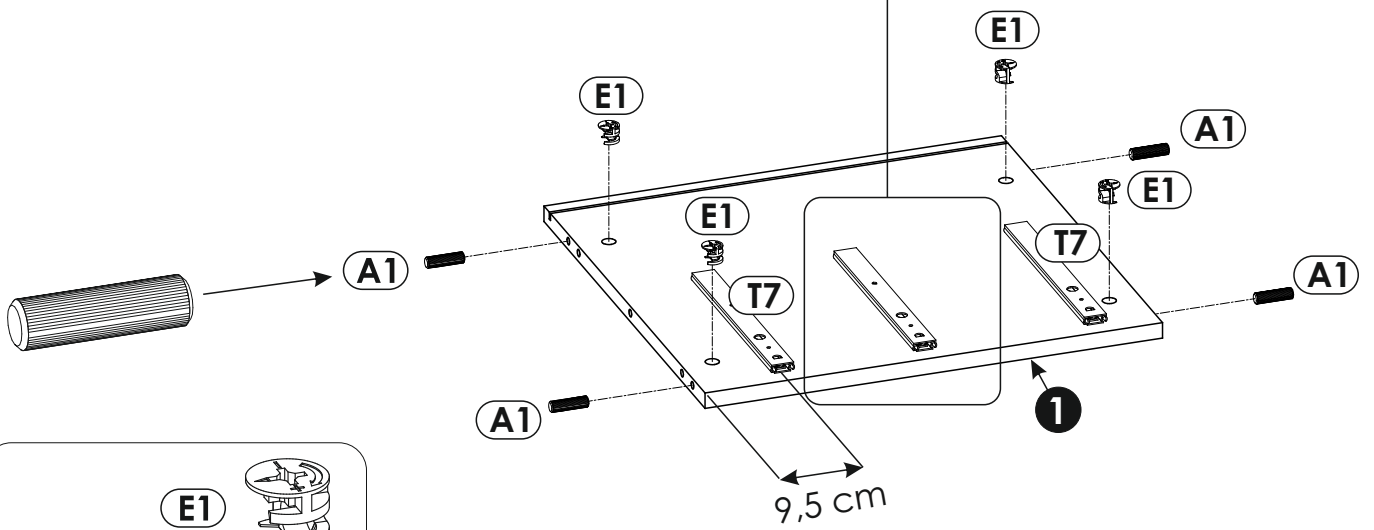
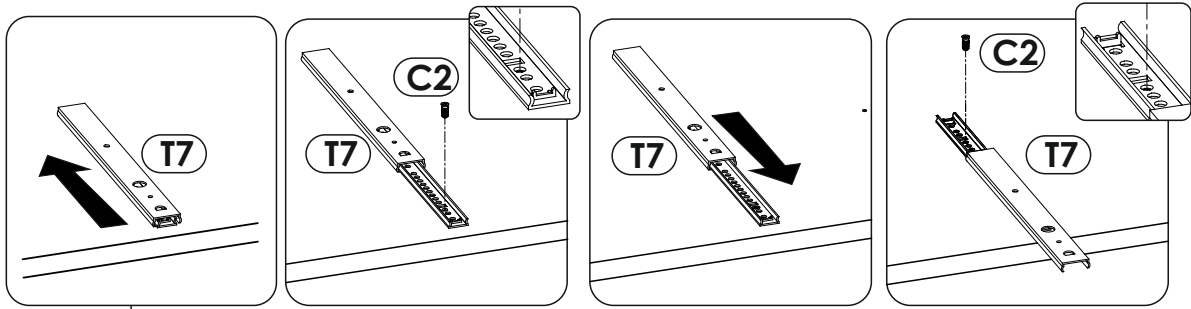


FONTANA FTK06

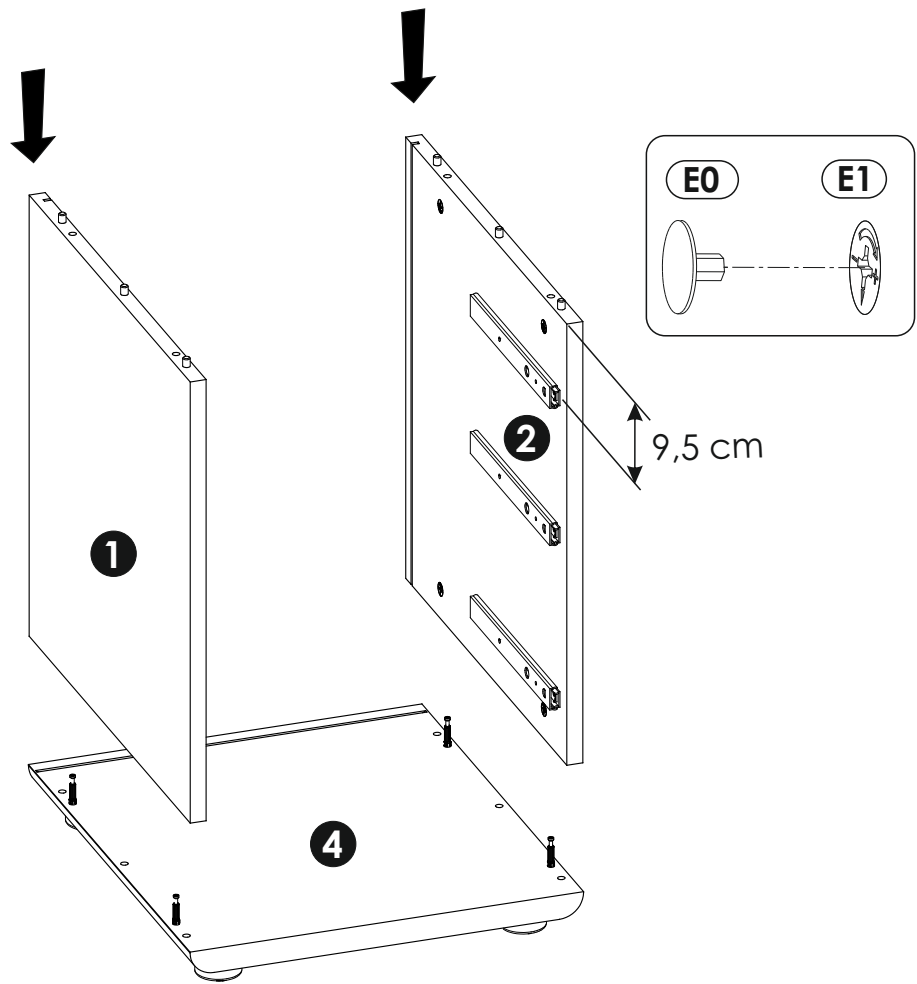


| | | | | | |
|----|-----|-----|----|----|-----|
| 1 | 498 | 515 | 18 | x1 | 1/1 |
| 2 | 498 | 515 | 18 | x1 | 1/1 |
| 3 | 500 | 443 | 28 | x1 | 1/1 |
| 4 | 500 | 443 | 28 | x1 | 1/1 |
| 5 | 525 | 420 | 3 | x1 | 1/1 |
| 6 | 395 | 100 | 12 | x2 | 1/1 |
| 7 | 395 | 100 | 12 | x2 | 1/1 |
| 8 | 400 | 157 | 16 | x2 | 1/1 |
| 9 | 374 | 84 | 16 | x2 | 1/1 |
| 10 | 384 | 400 | 3 | x3 | 1/1 |
| 11 | 395 | 140 | 12 | x1 | 1/1 |
| 12 | 395 | 140 | 12 | x1 | 1/1 |
| 13 | 400 | 189 | 16 | x1 | 1/1 |
| 14 | 374 | 124 | 16 | x1 | 1/1 |

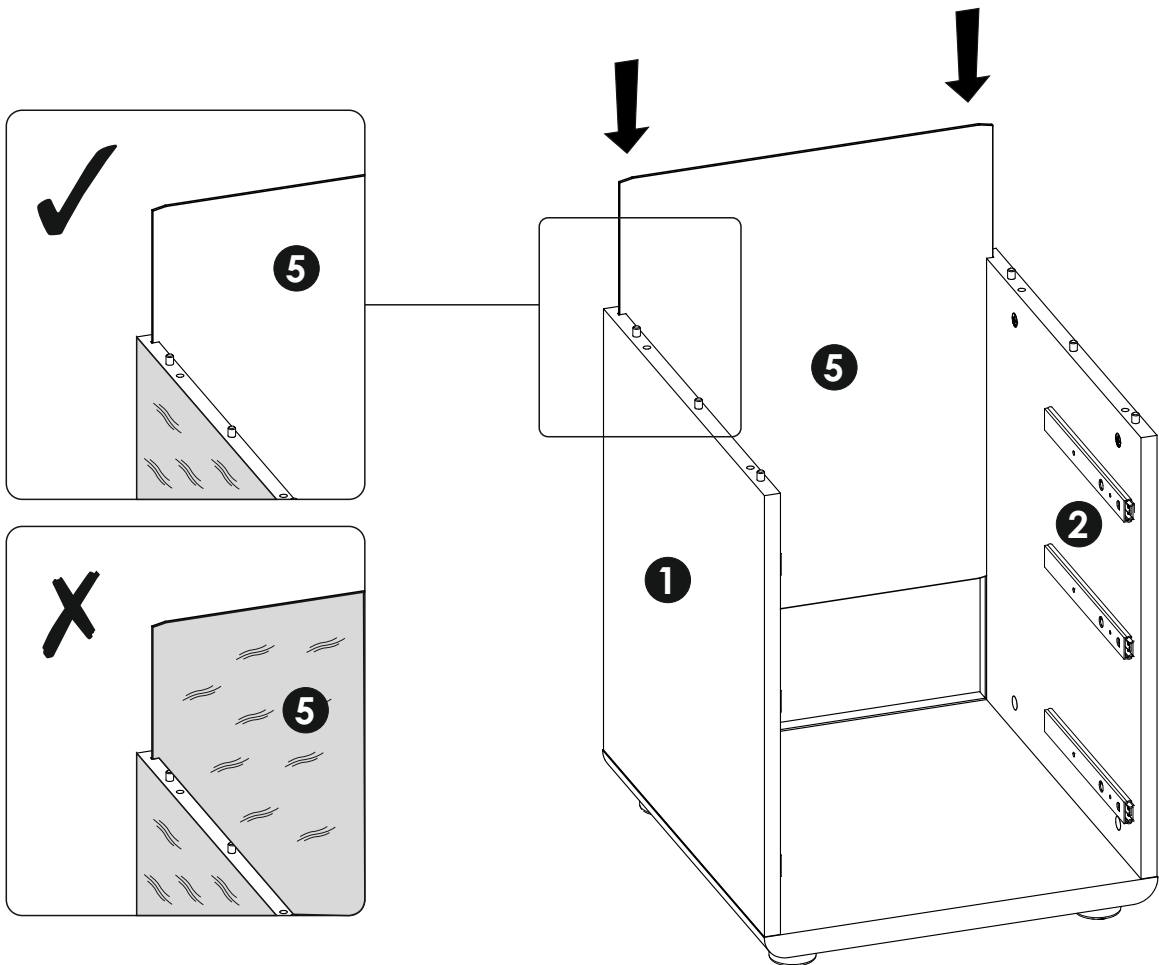




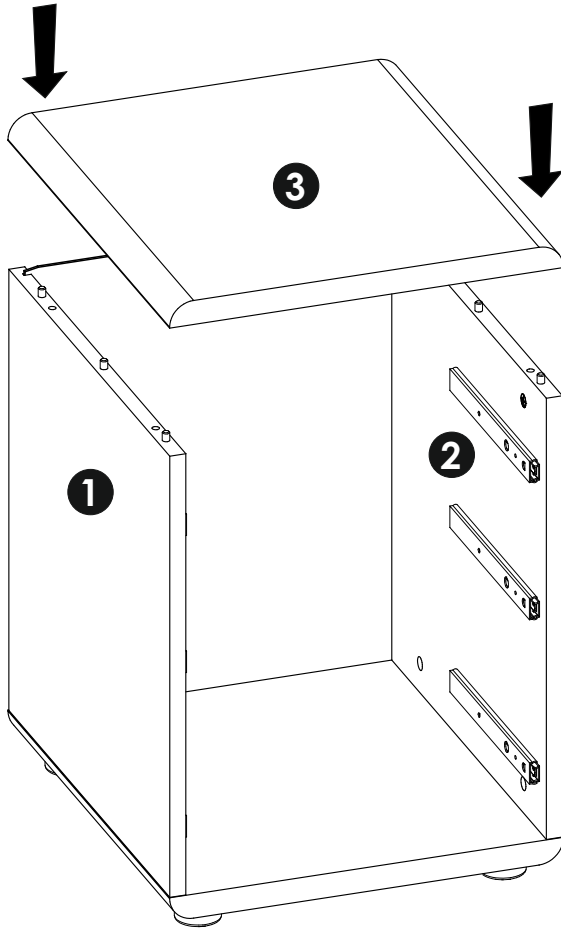
3 ▶



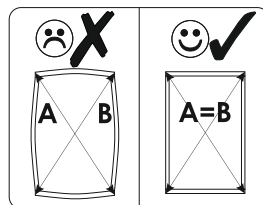
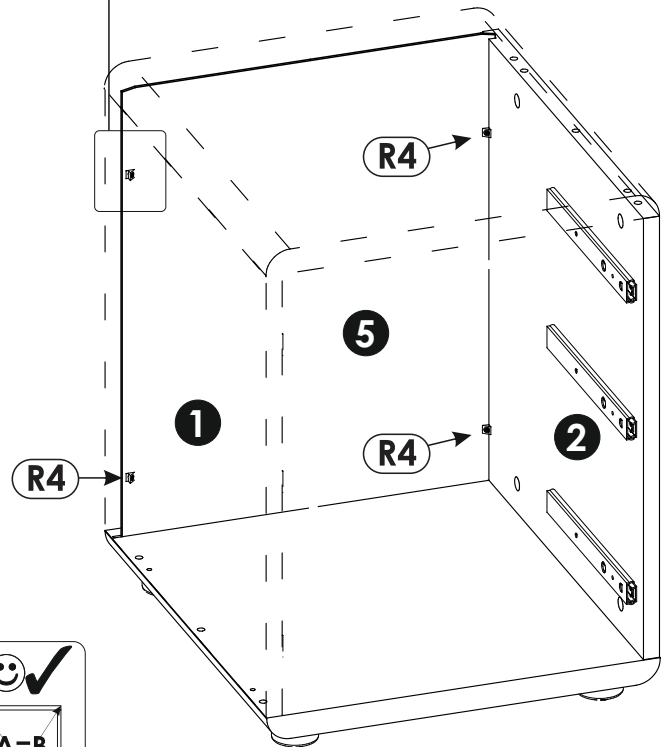
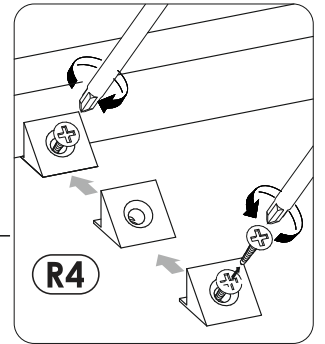
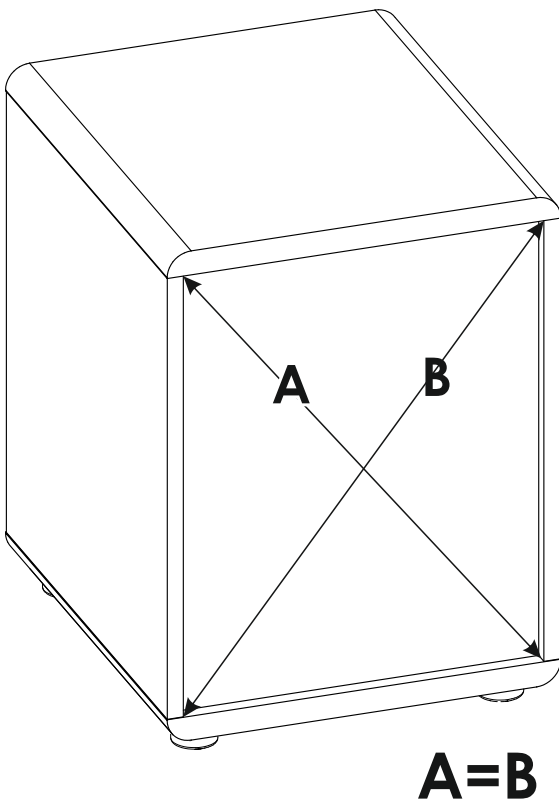
4 ▶



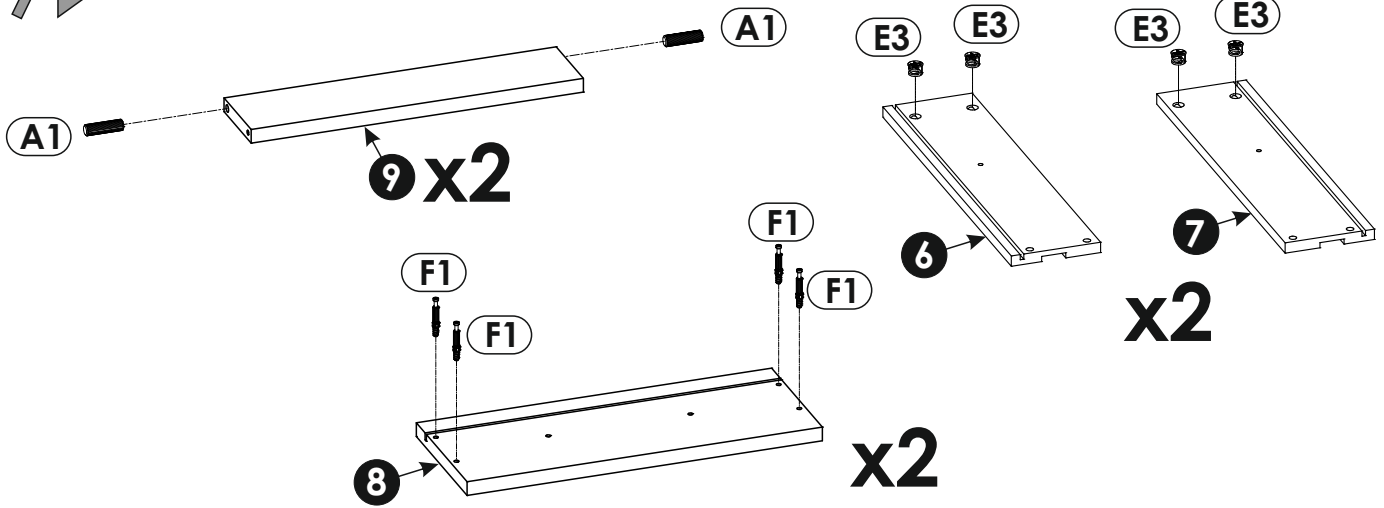
5 ▶



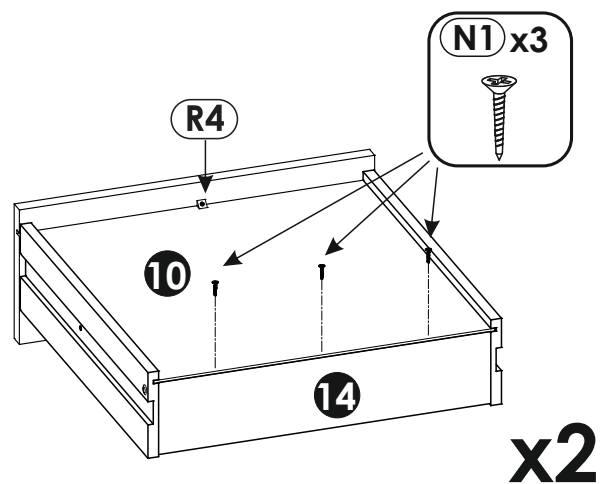
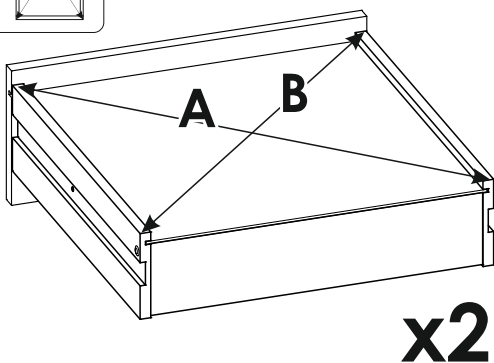
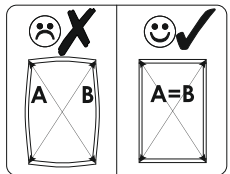
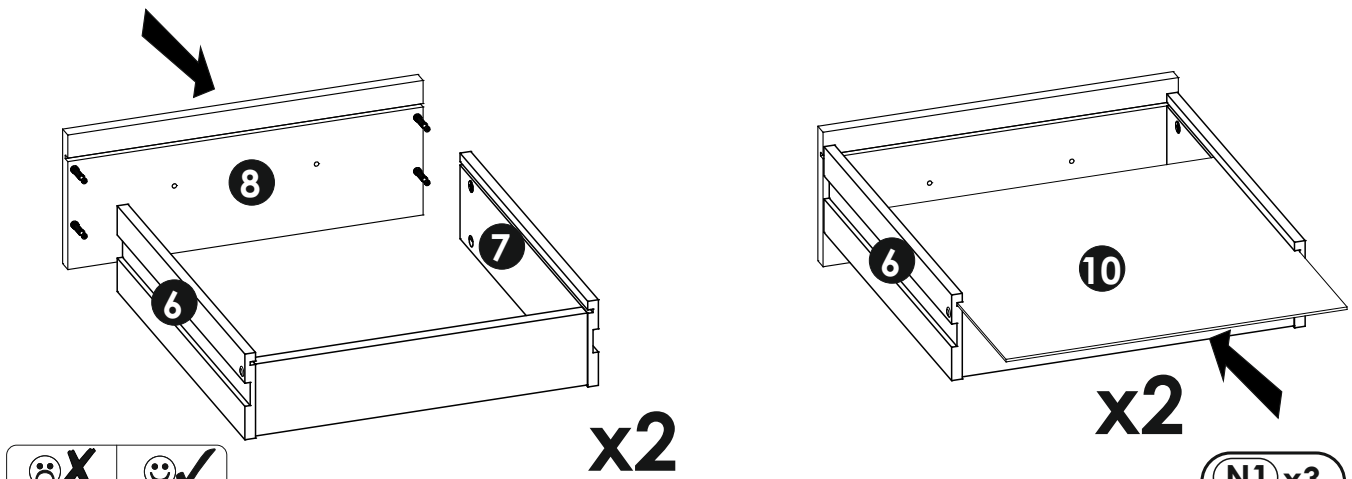
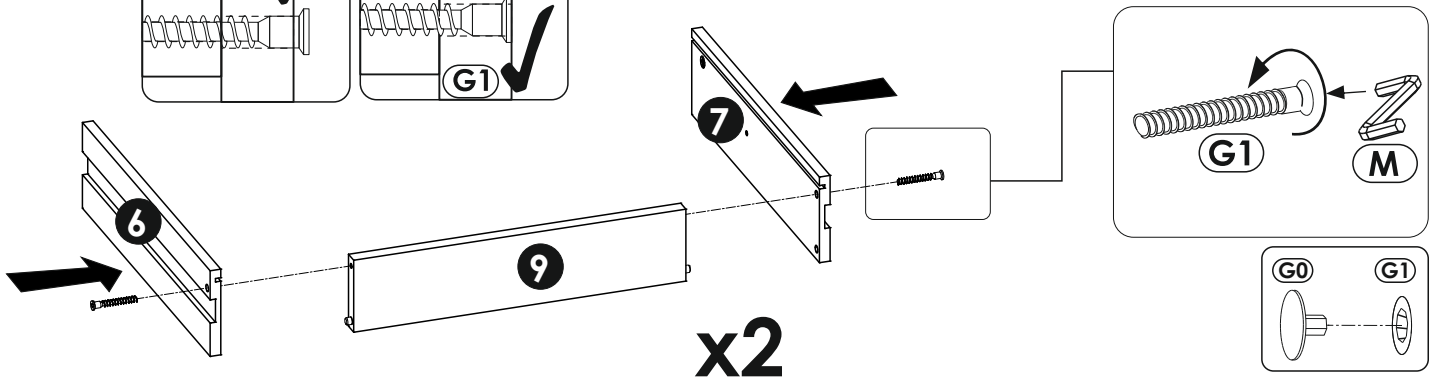
6 ▶



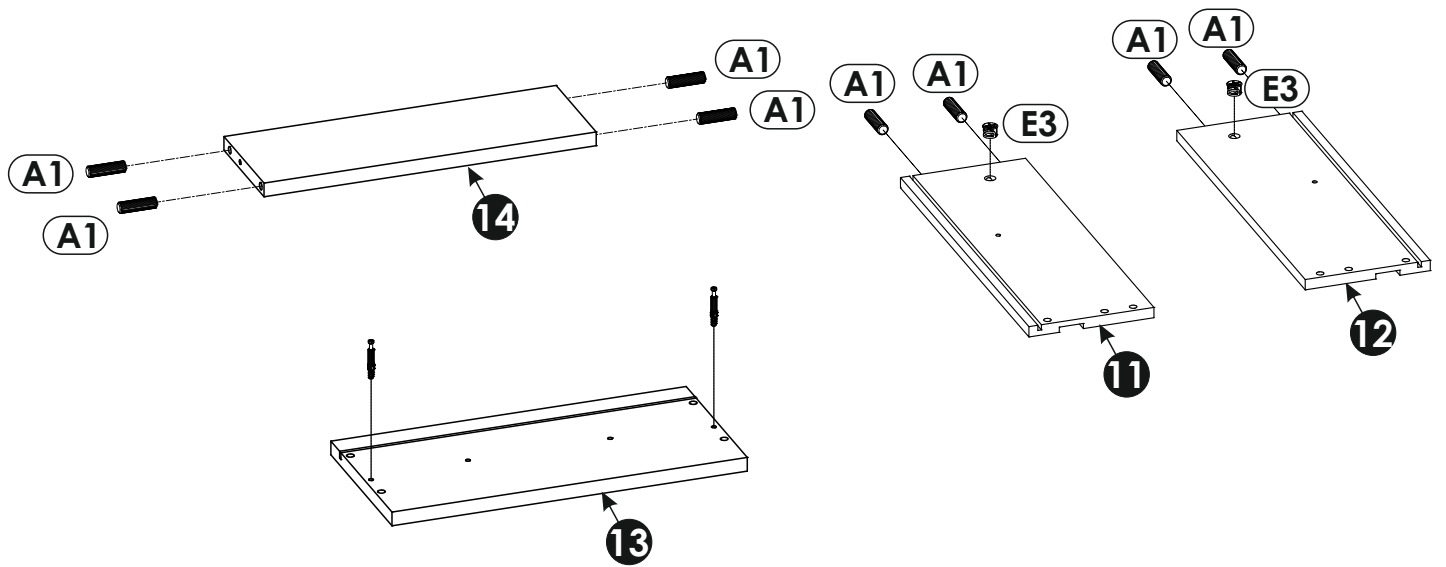
7 ▶



8 ▶



9 ▶



10 ▶

