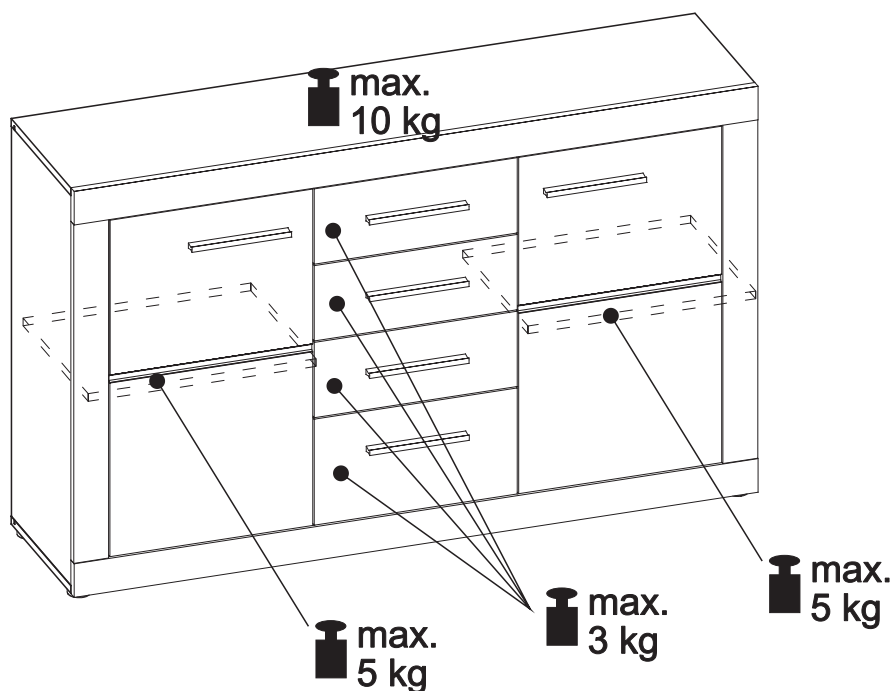
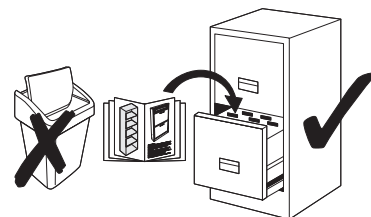


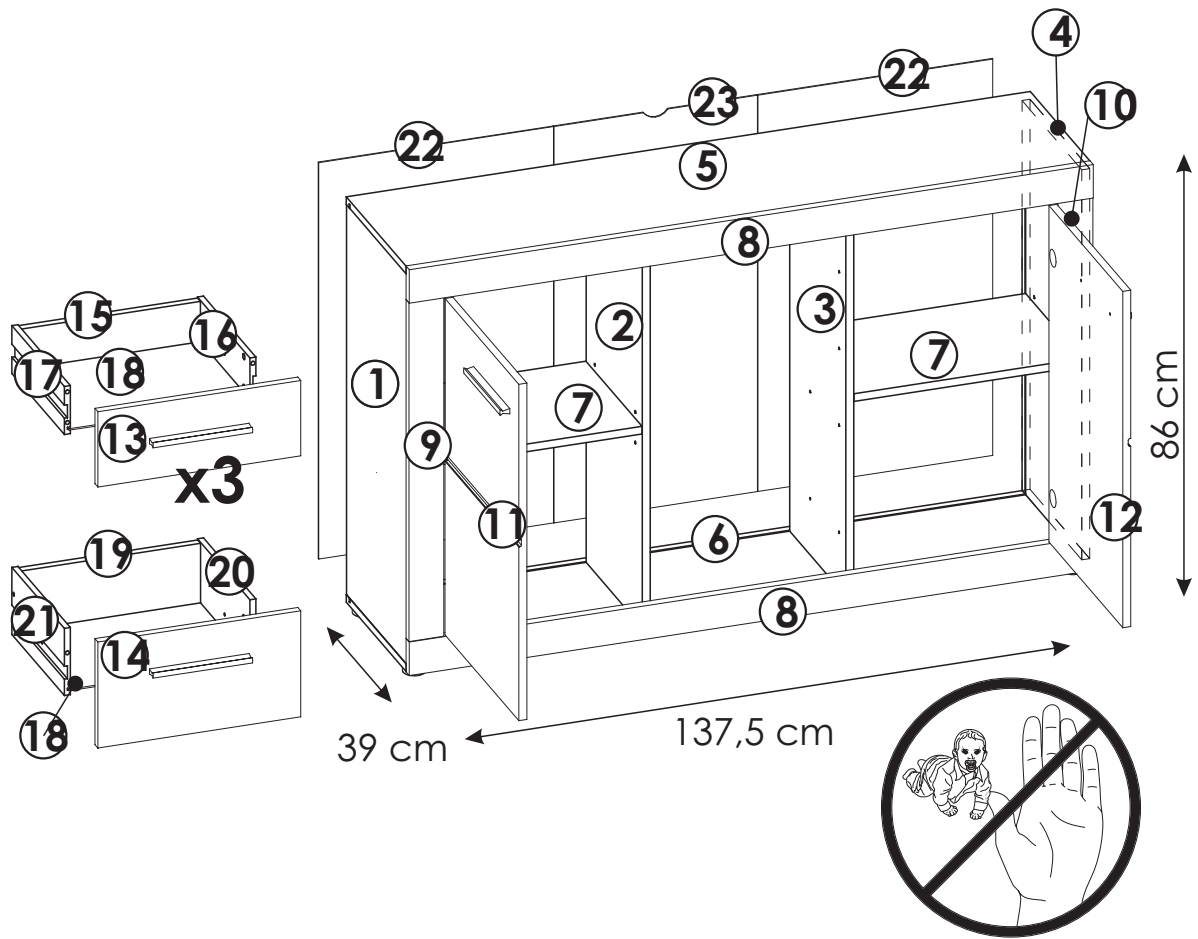
MALTA MYK02



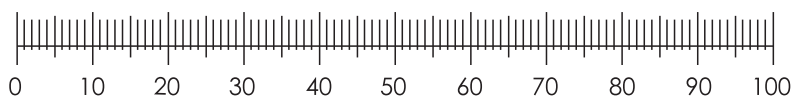
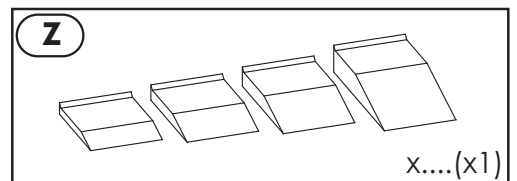
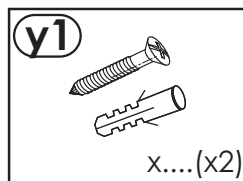
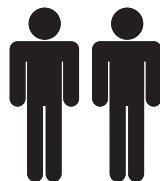
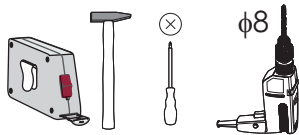
- | | | | | | |
|--------|--------|--------|--------|--------|--------|
| ① - C1 | ⑥ - C2 | ⑪ - C2 | ⑬ - C1 | ⑯ - C1 | ⑳ - C1 |
| ② - C1 | ⑦ - C1 | ⑫ - C2 | ⑭ - C1 | ⑰ - C1 | ㉑ - C1 |
| ③ - C1 | ⑧ - C2 | ⑬ - C1 | ⑱ - C1 | ㉒ - C1 | ㉓ - C1 |
| ④ - C1 | ⑨ - C1 | ⑭ - C1 | ⑲ - C1 | | |
| ⑤ - C2 | ⑩ - C1 | ⑮ - C1 | ㉔ - C1 | | |



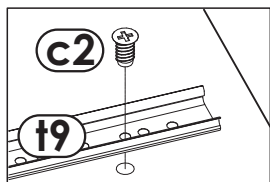
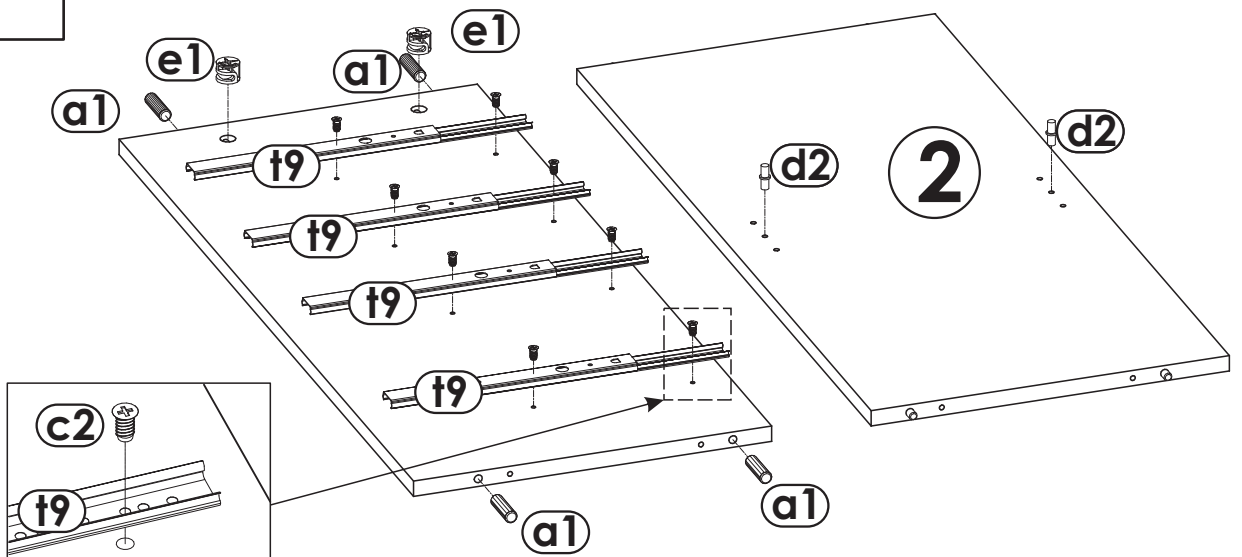
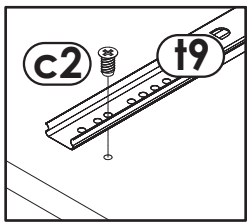
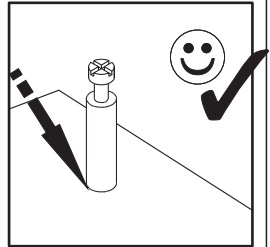
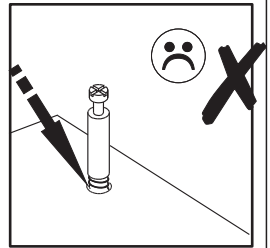
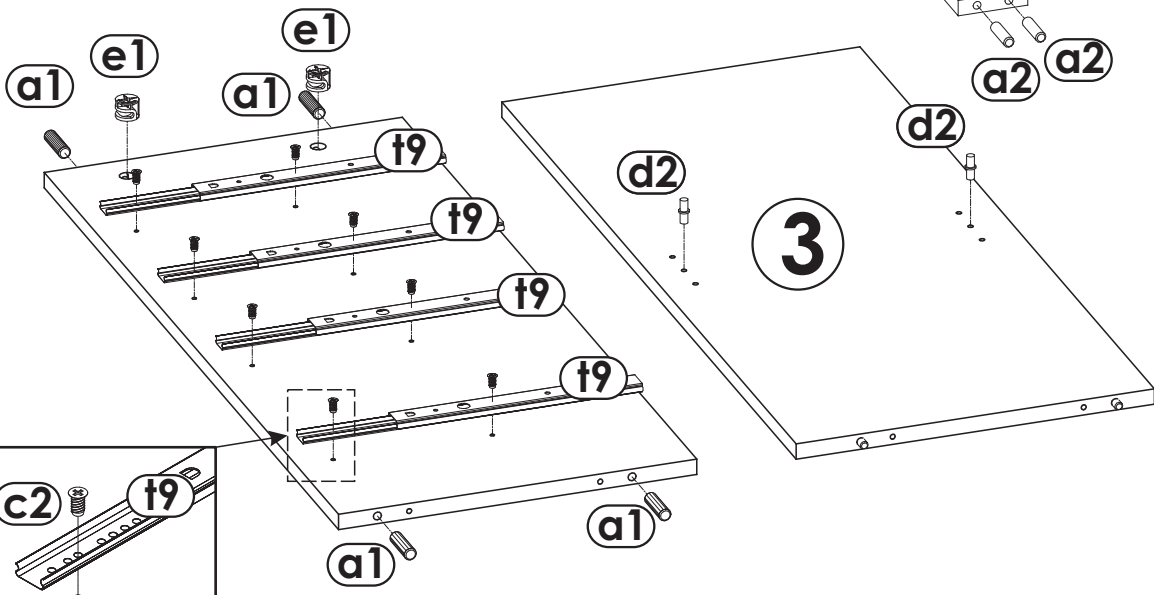
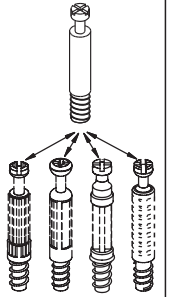
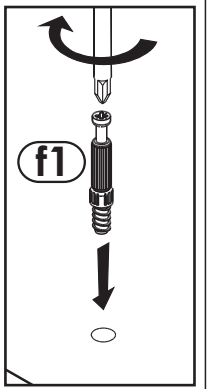
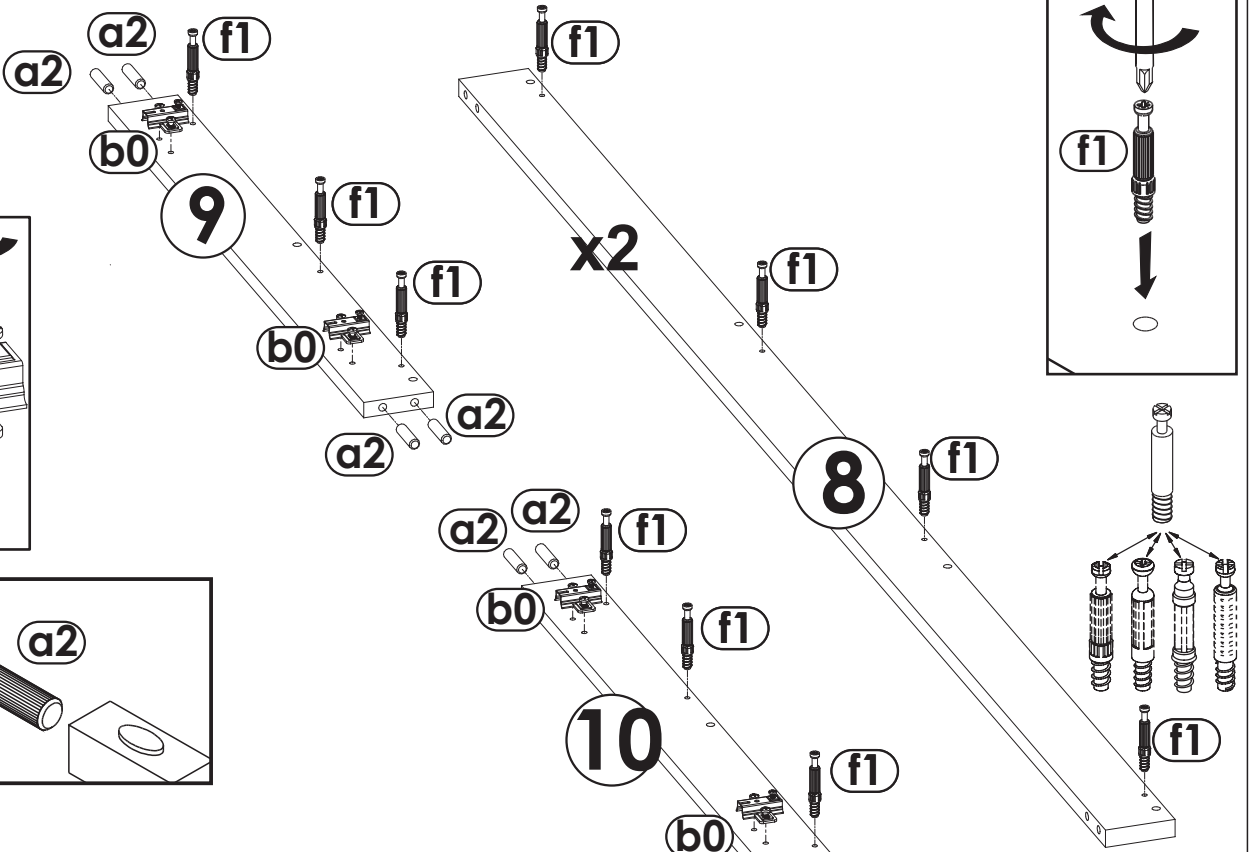
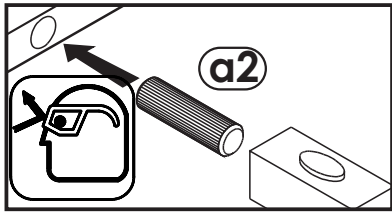
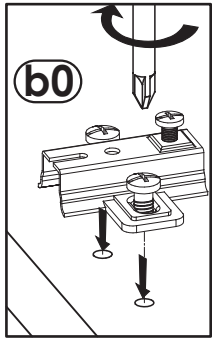
MALTA MYK02

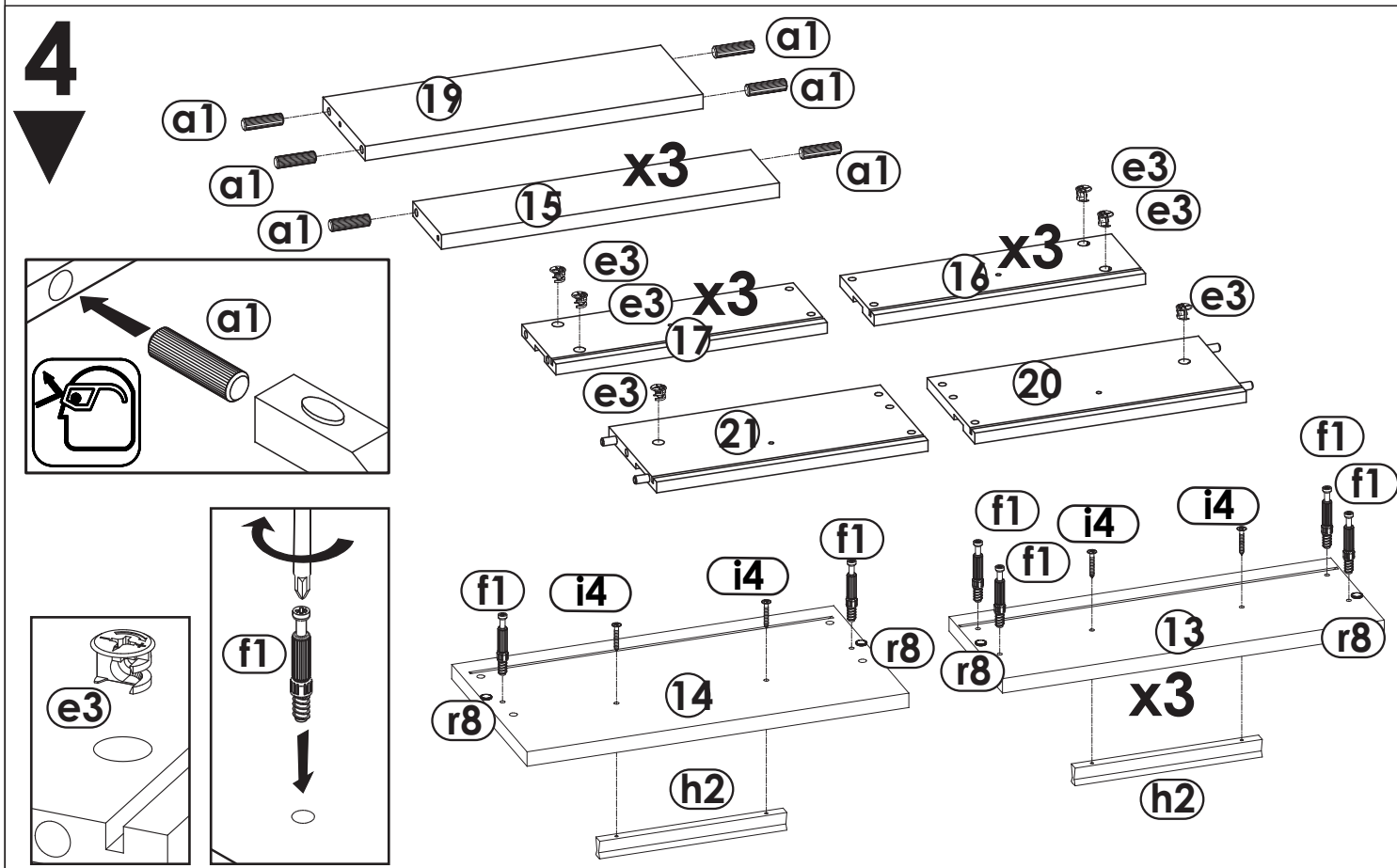
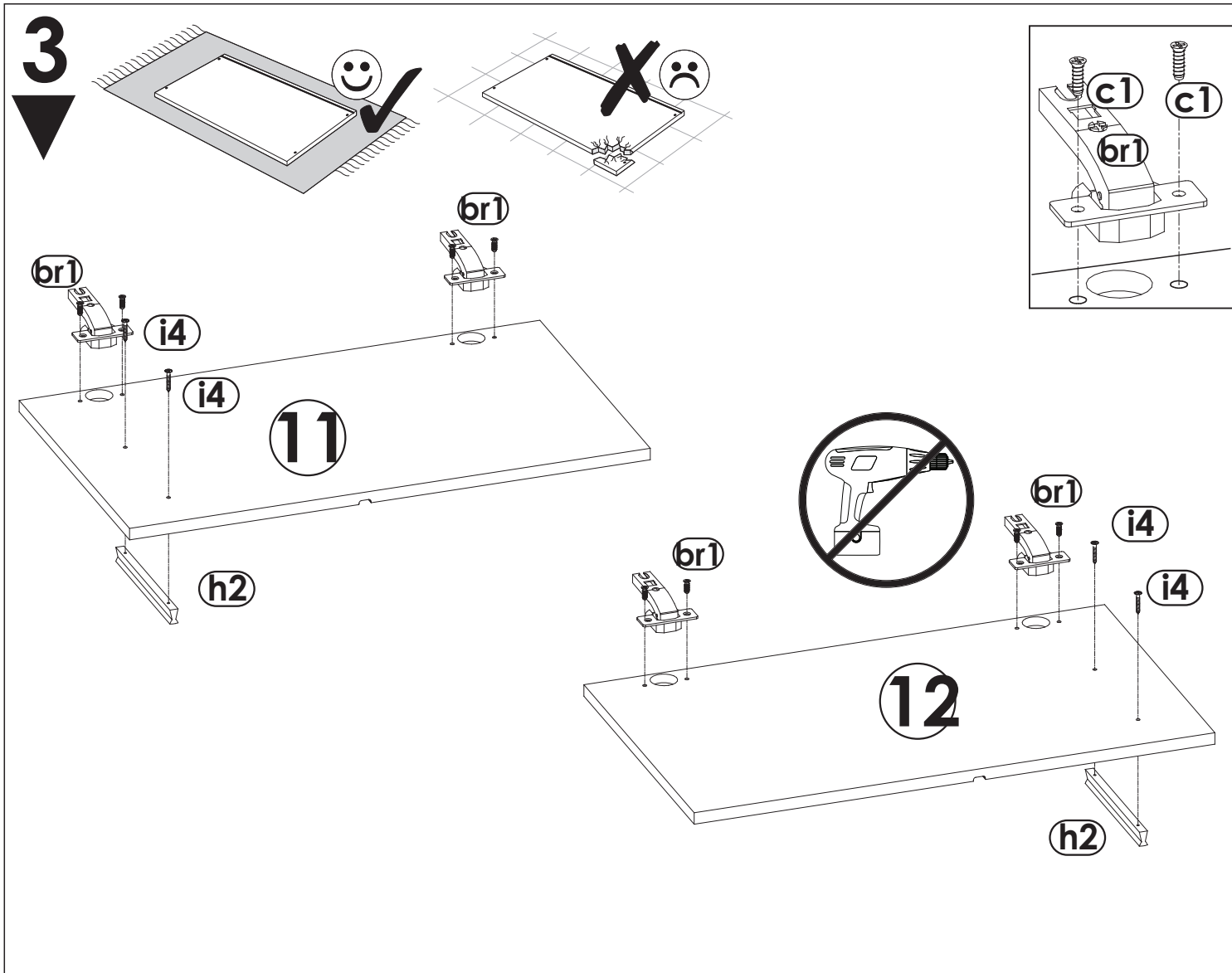


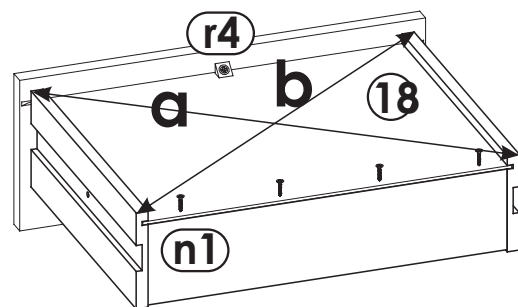
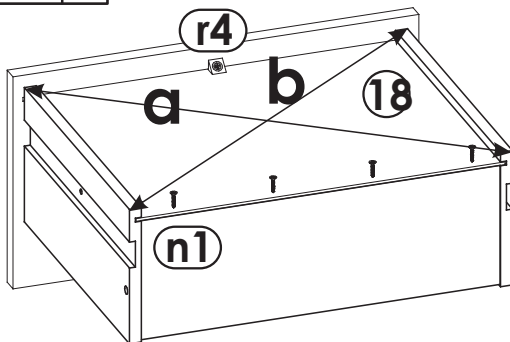
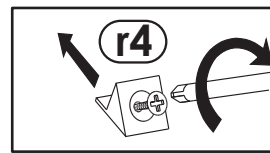
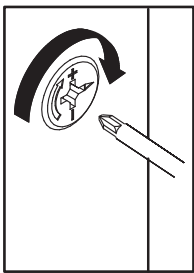
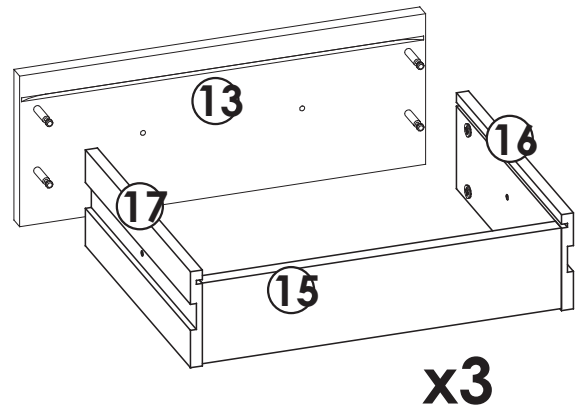
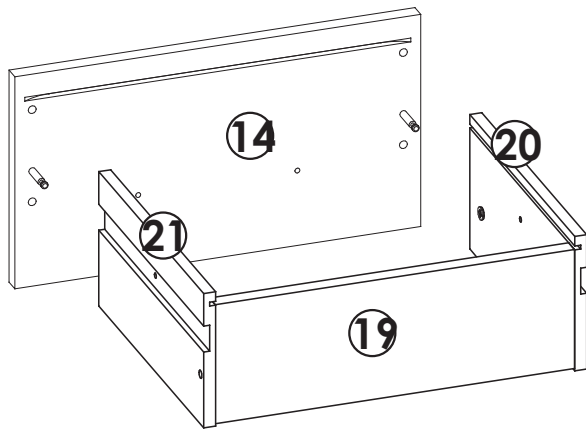
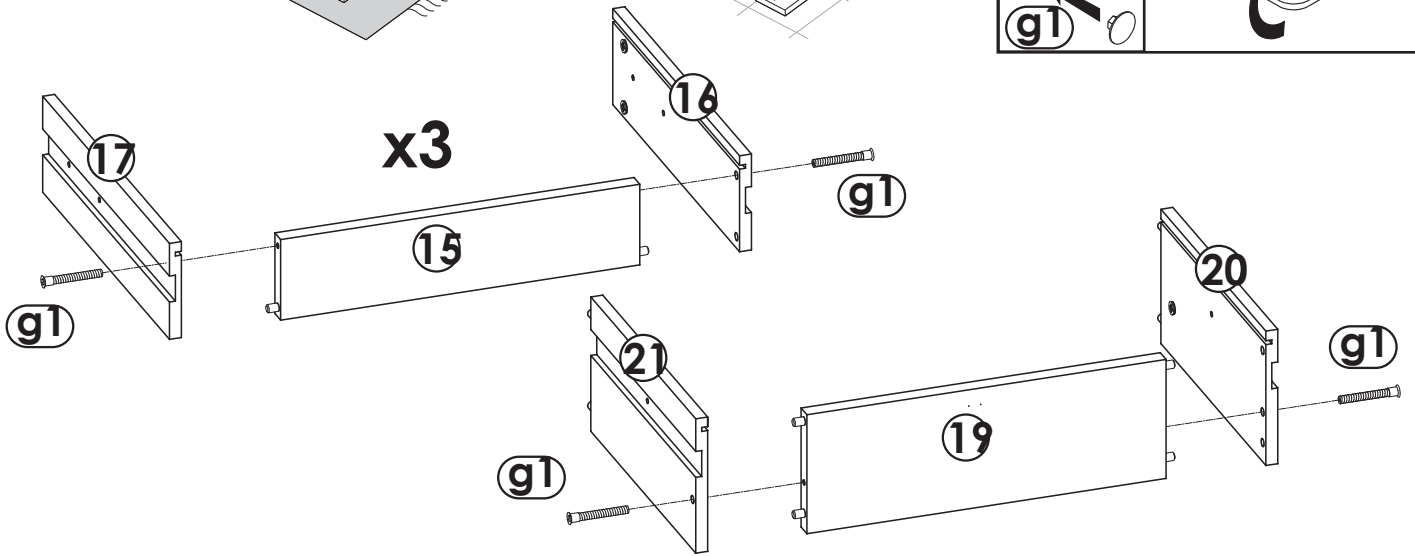
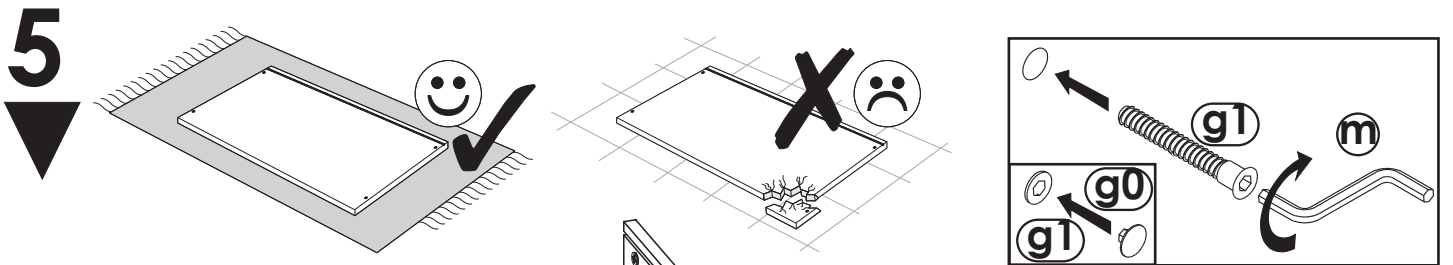
a1 8x35 x...(x40)	a2 8x45 x...(x8)	b0 x...(x4)	br1 x...(x4)	c1 Euro 4x13 x...(x8)	c2 Euro 5x13 x...(x16)	d2 x...(x8)	e0 x...(x22)	e1 x...(x22)
e3 x...(x14)	f1 x...(x36)	g0 x...(x8)	g1 7x50 x...(x16)	h2 x...(x7)	i2 4x16 x...(x2)	i4 3,5x27 x...(x14)	i10 3,5x22 x...(x7)	
k1 4x9 x...(x16)	m x...(x1)	n1 3x16 x...(x20)	o1 x...(x7)	q9 x...(x2)	r1 x...(x8)	r4 x...(x16)	r8 x...(x10)	t9 x...(x8)



2

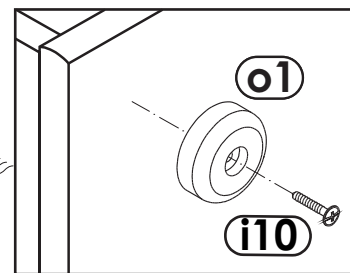
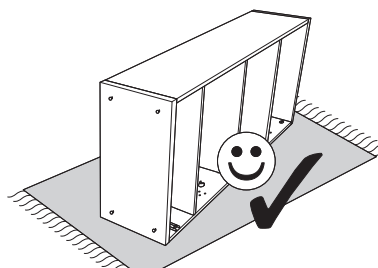
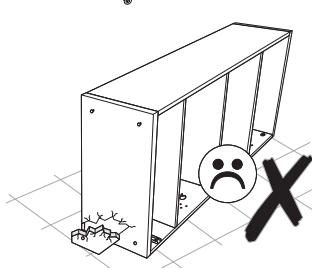
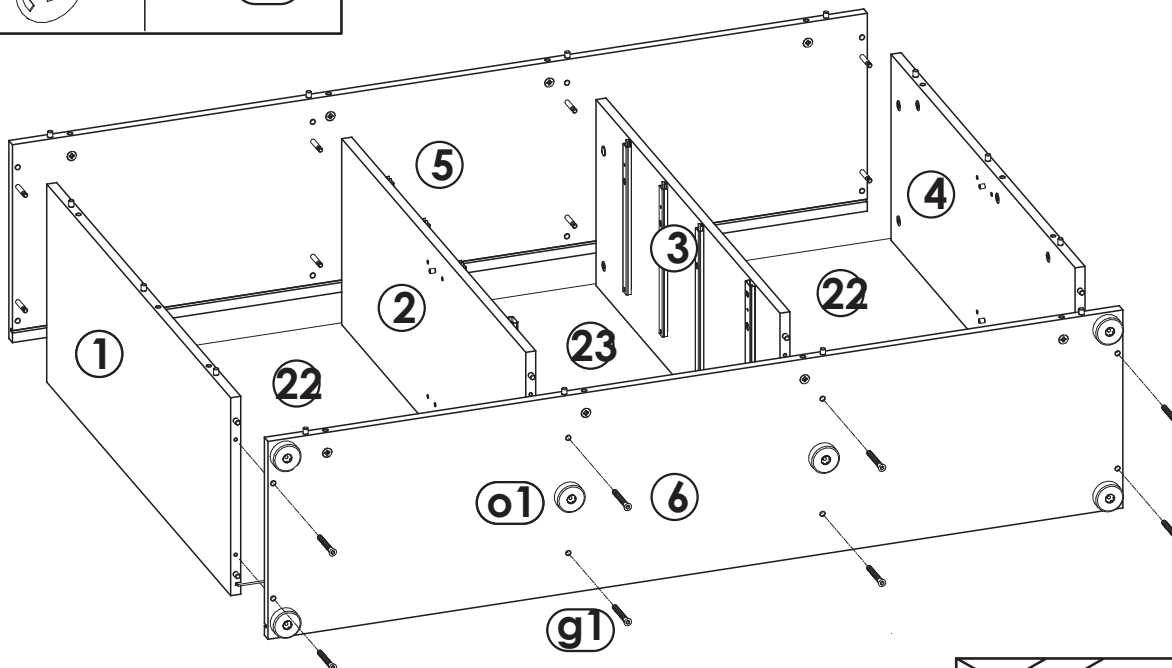
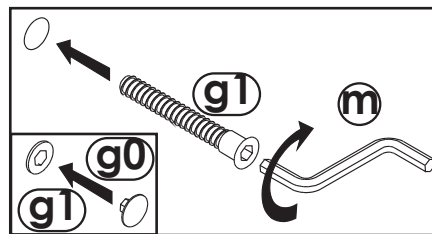
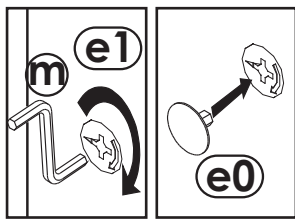
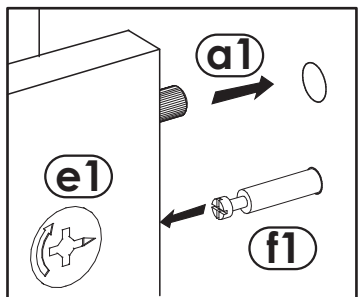




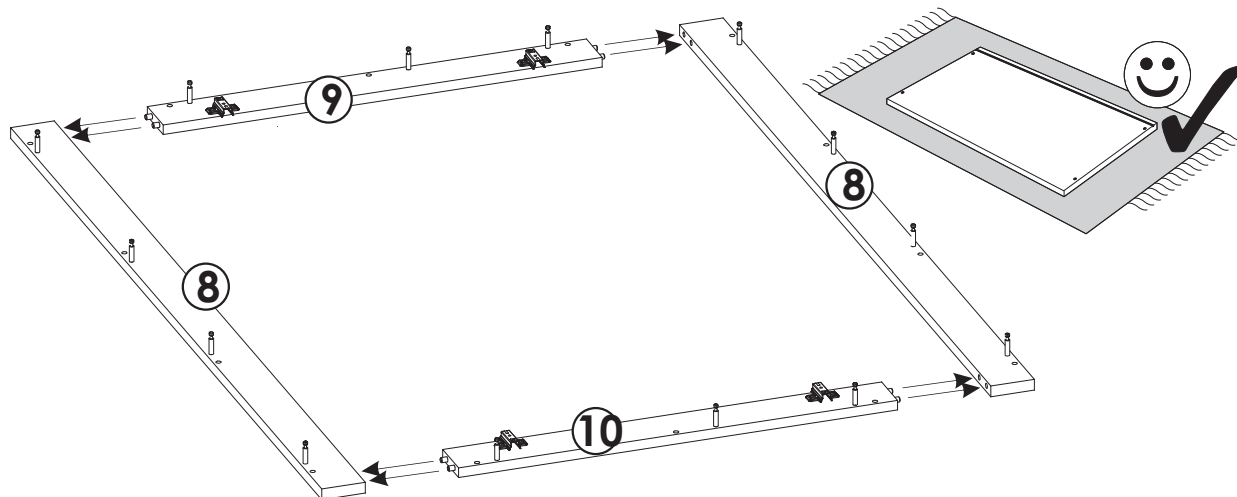
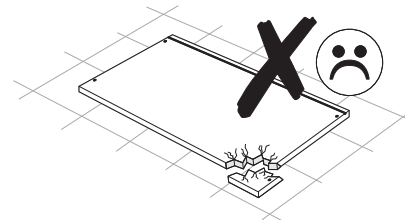


a=b

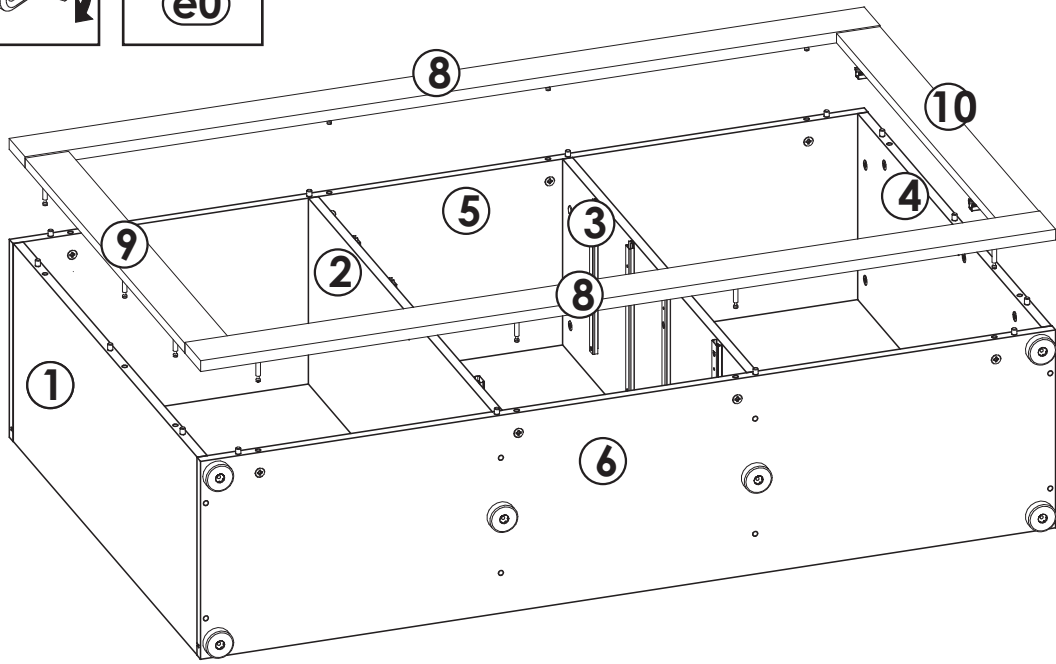
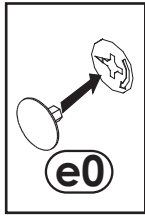
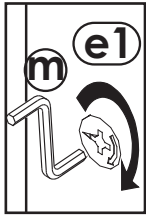
6



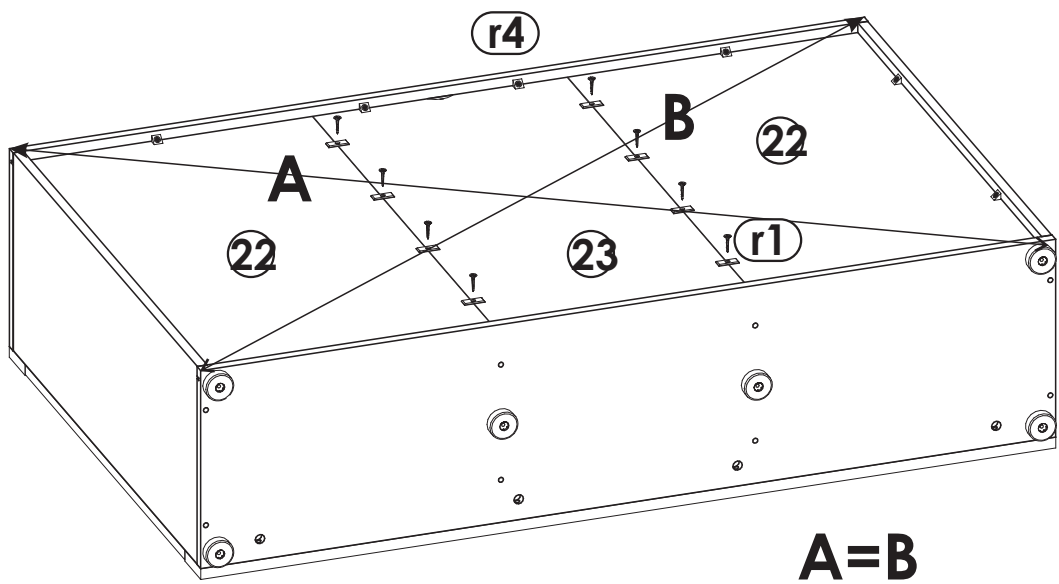
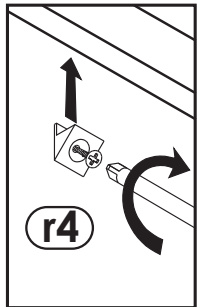
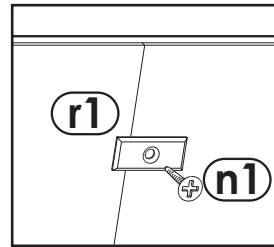
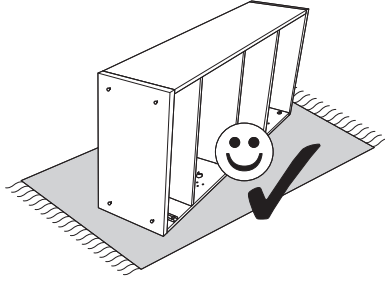
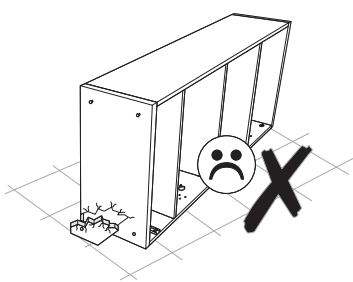
7



8



9



10
▼

