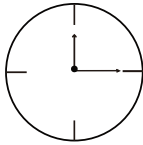
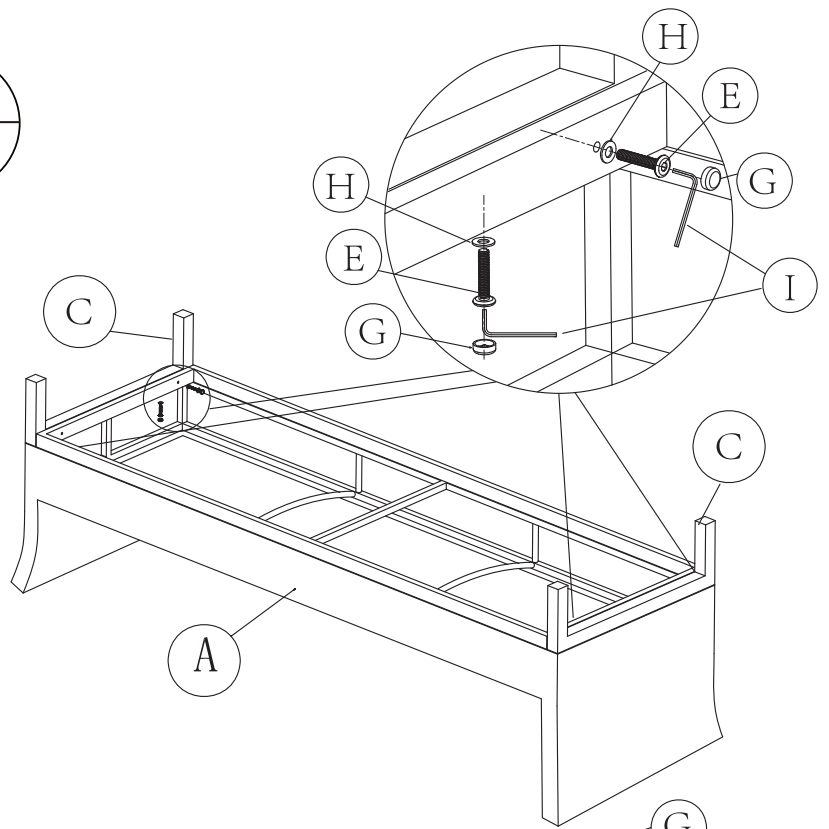


04220071-01

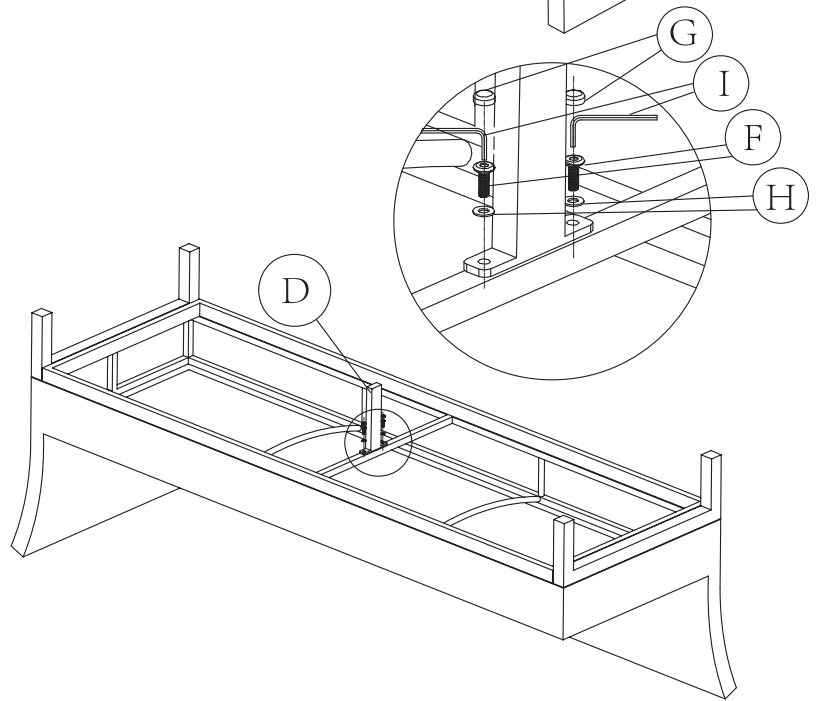


NO.	SKETCH	QTY
A		1
B		1
C		3
D		1
E	 M6*35	18
F	 M6*20	2
G		20
H	 φ14*φ6.5*1.5	20
I		1
J		1

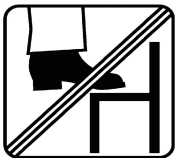
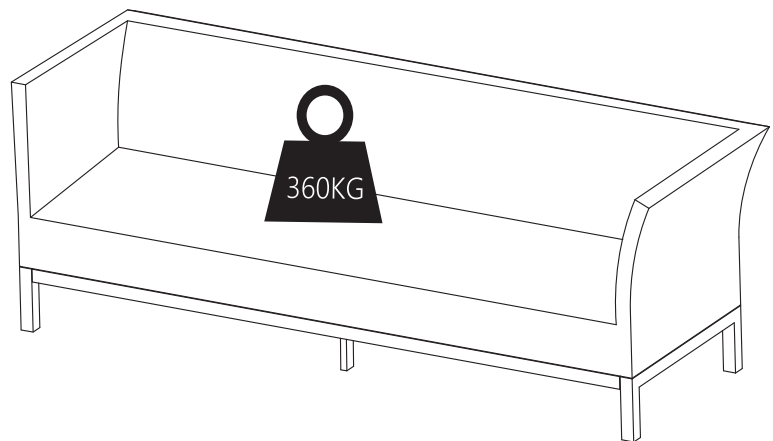
*STEP 1*



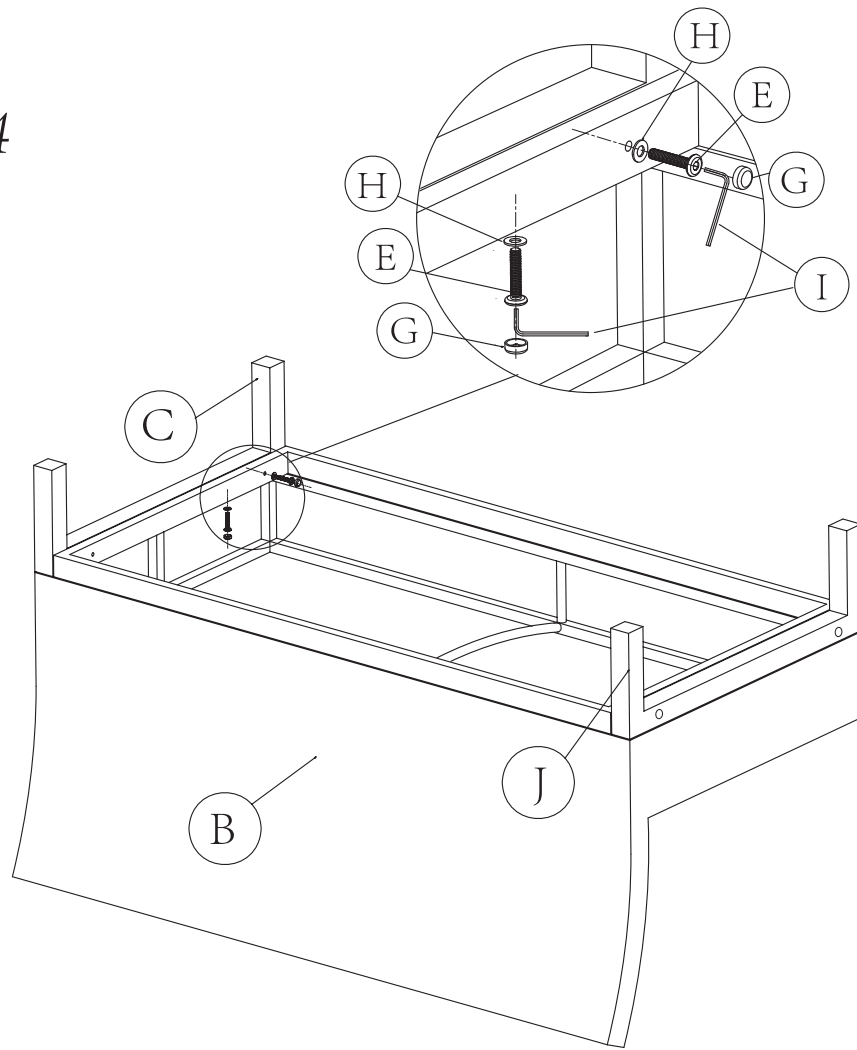
*STEP 2*



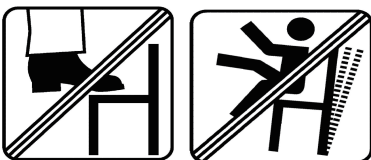
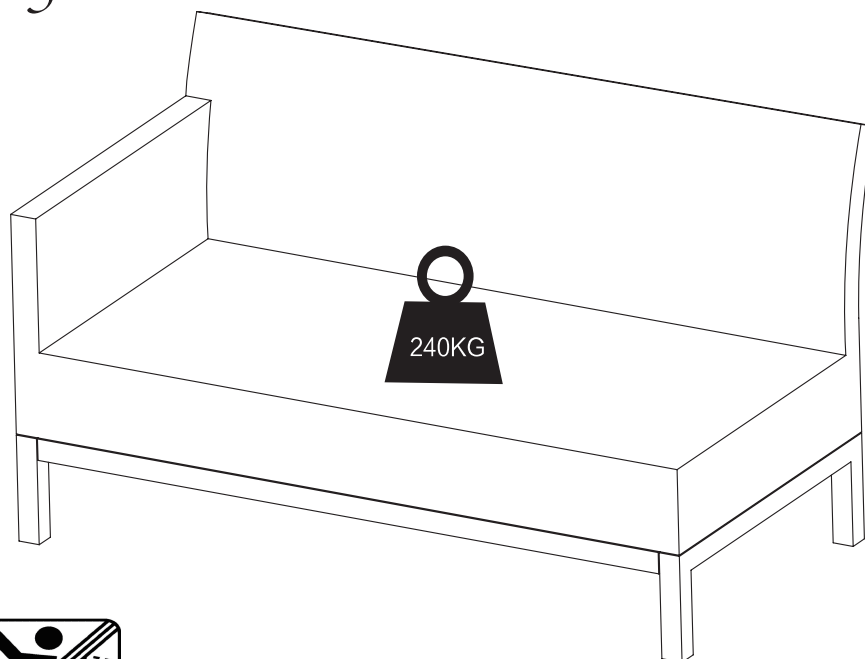
*STEP 3*



*STEP 4*

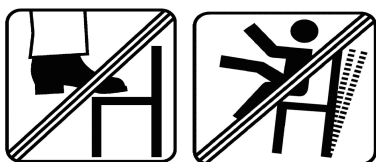
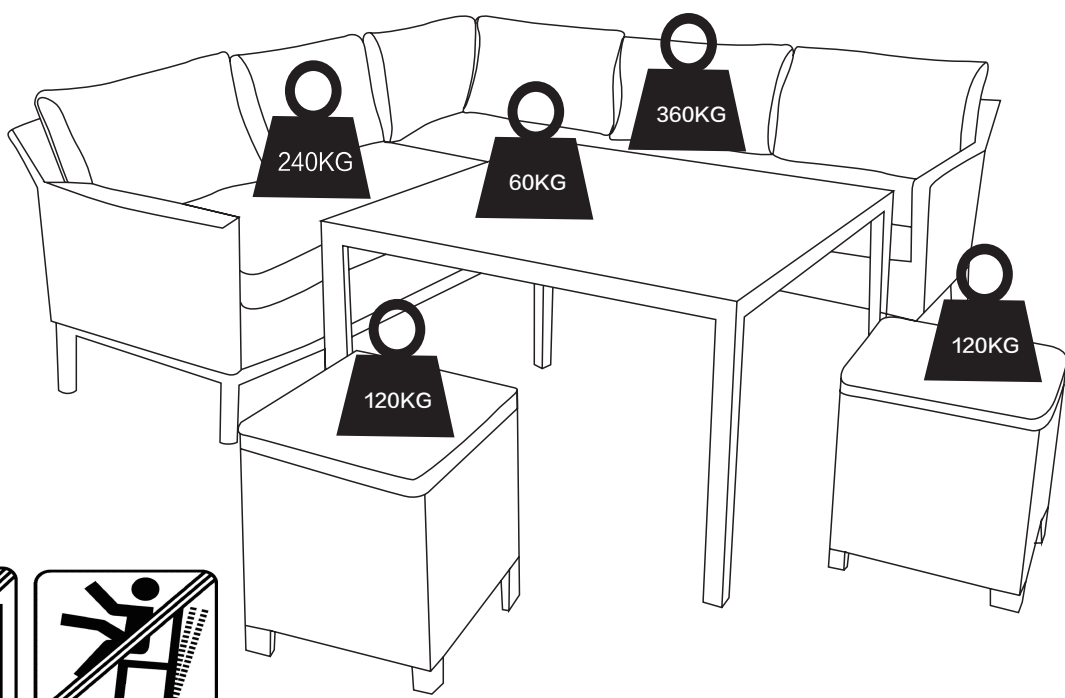
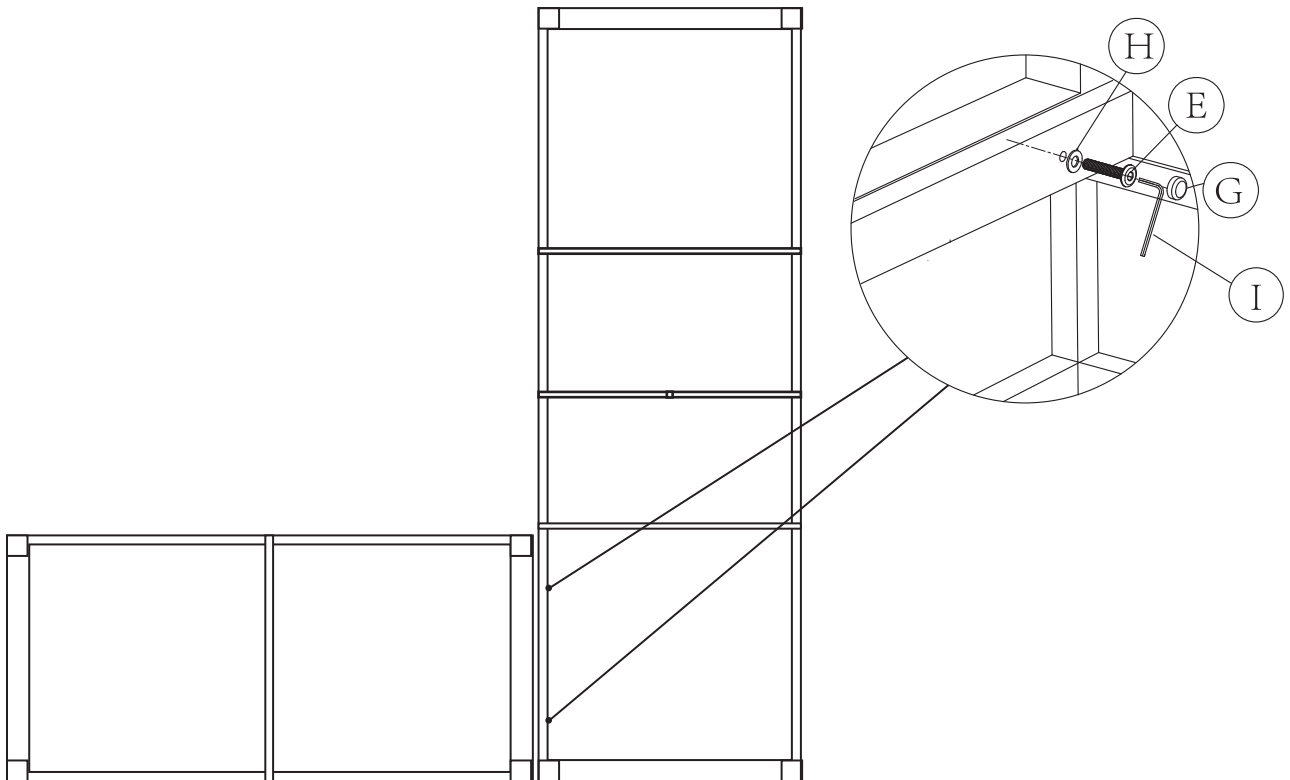


*STEP 5*



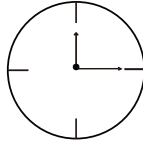
04220071-01

*STEP 6*

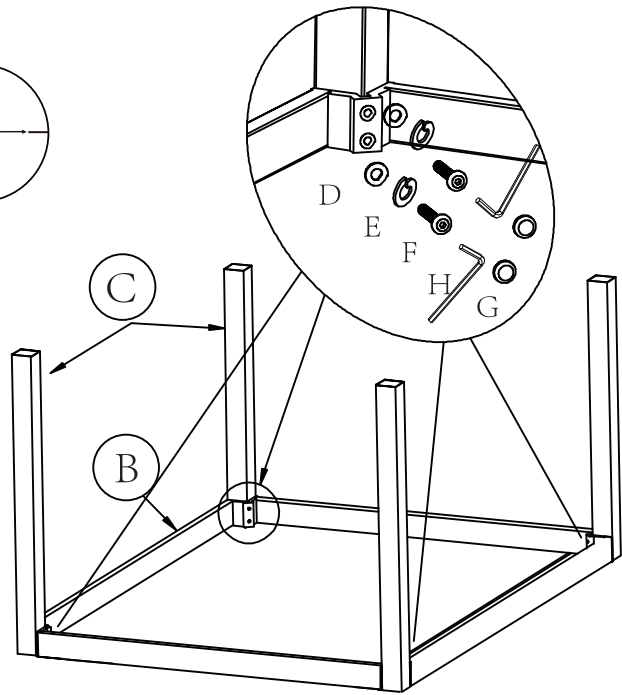


04220071-01

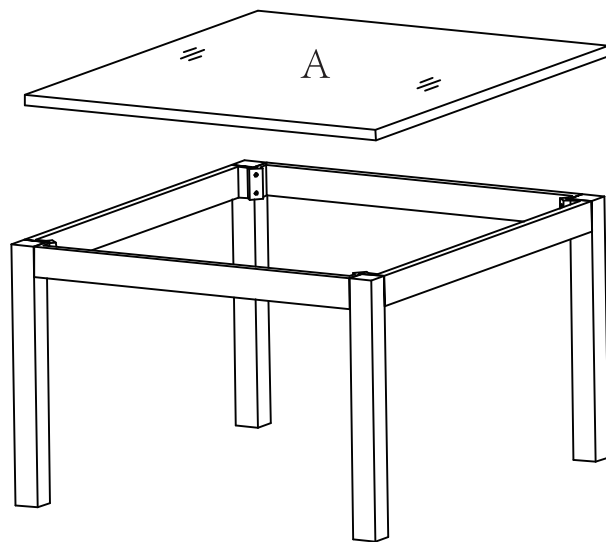
NO.	SKETCH	QTY
A		1
B		1
C		4
D	 Φ12xΦ6.2x1.0	8
E	 Φ12xΦ6.2x1.5	8
F	 M6x35MM	8
G		8
H		1



STEP1



STEP2



STEP3

